

Technical data sheet

Product features



Gas range with cabinet

Model	SAP Code	00014783
--------------	-----------------	----------

- Device type: Gas unit
- Ignition: Eternal flame
- Material: AISI 304 top plate and cladding



SAP Code	00014783	Net Weight [kg]	102.70
Net Width [mm]	1200	Power gas [kW]	42.000
Net Depth [mm]	730	Type of gas	Natural gas, propane butane
Net Height [mm]	900		

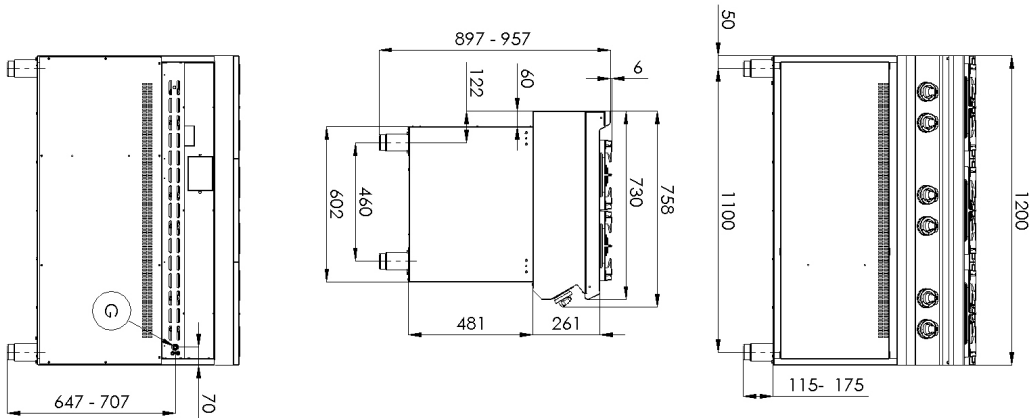
Technical data sheet

Technical drawing



Gas range with cabinet

Model	SAP Code	00014783
--------------	-----------------	----------



Technical data sheet

Technical parameters



Gas range with cabinet

Model

SAP Code

00014783

1. SAP Code:

00014783

2. Net Width [mm]:

1200

3. Net Depth [mm]:

730

4. Net Height [mm]:

900

5. Net Weight [kg]:

102.70

6. Gross Width [mm]:

1260

7. Gross depth [mm]:

820

8. Gross Height [mm]:

1080

9. Gross Weight [kg]:

119.00

10. Device type:

Gas unit

11. Construction type of device:

With substructure

12. Power gas [kW]:

42.000

13. Ignition:

Eternal flame

14. Type of gas:

Natural gas, propane butane

15. Device color:

Stainless steel

16. Material:

AISI 304 top plate and cladding

17. Worktop type:

Molded - comfortable cleaning maintenance

18. Worktop material:

AISI 304

19. Worktop Thickness [mm]:

1.50

20. Grid material:

Cast iron

21. Service accessibility:

Trough the frontal panel

22. Safety thermocouple:

Yes

23. Adjustable feet:

Yes

24. Number of burners/hot plates:

6

25. Type of gas cooking zones:

Powerfull

26. Burner type:

Brass, detachable