

Technical data sheet

Product features



Cooking range gas

Model	SAP Code	00008516
--------------	-----------------	----------



- Device type: Gas unit
- Power consumption of the zone 1 [kW]: 7,5
- Power consumption of the zone 2 [kW]: 7,5
- Power consumption of the zone 3 [kW]: 7,5
- Power consumption of the zone 4 [kW]: 4,5
- Ignition: Eternal flame
- Material: AISI 304 top plate and cladding

SAP Code	00008516	Type of gas	Natural gas, propane butane
Net Width [mm]	800	Number of zones	4
Net Depth [mm]	730	Power consumption of the zone 1 [kW]	7,5
Net Height [mm]	300	Power consumption of the zone 2 [kW]	7,5
Net Weight [kg]	50.70	Power consumption of the zone 3 [kW]	7,5
Power gas [kW]	27.000	Power consumption of the zone 4 [kW]	4,5

Technical data sheet

Technical drawing

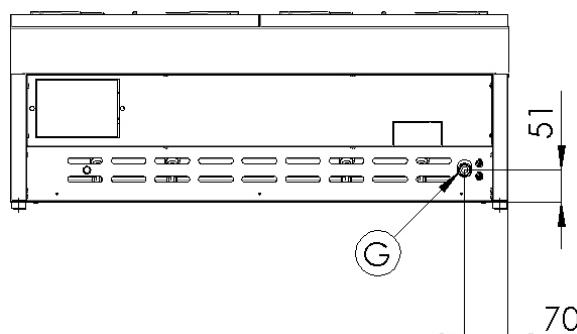
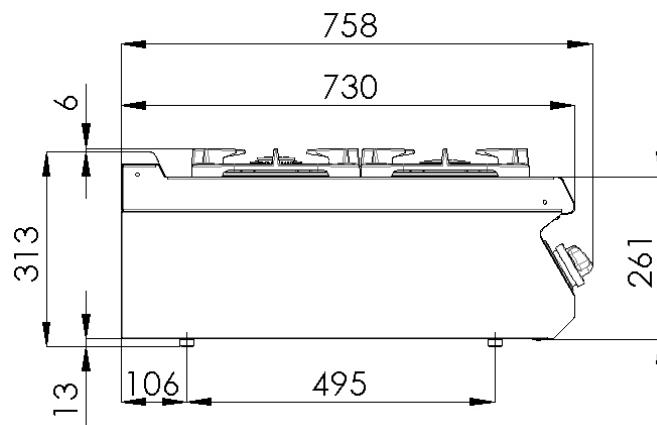
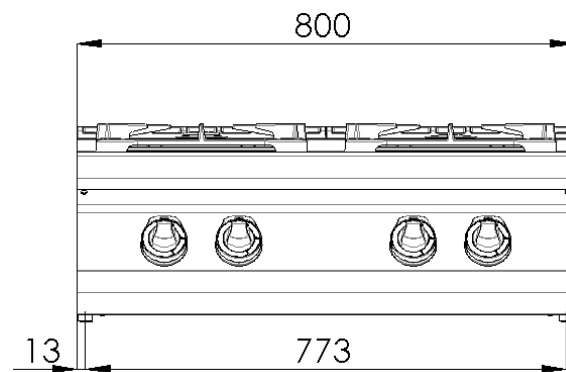


Cooking range gas

Model

SAP Code

00008516



Technical data sheet

Technical parameters



Cooking range gas

Model

SAP Code

00008516

1. SAP Code:

00008516

2. Article group:

Stoves

3. Net Width [mm]:

800

4. Net Depth [mm]:

730

5. Net Height [mm]:

300

6. Net Weight [kg]:

50.70

7. Gross Width [mm]:

840

8. Gross depth [mm]:

800

9. Gross Height [mm]:

480

10. Gross Weight [kg]:

59.50

11. Device type:

Gas unit

12. Construction type of device:

Table top

13. Power gas [kW]:

27.000

14. Ignition:

Eternal flame

15. Type of gas:

Natural gas, propane butane

16. Device color:

Stainless steel

17. Material:

AISI 304 top plate and cladding

18. Worktop type:

Molded - comfortable cleaning maintenance

19. Worktop material:

AISI 304

20. Worktop Thickness [mm]:

1.50

21. Number of zones:

4

22. Power consumption of the zone 1 [kW]:

7,5

23. Power consumption of the zone 2 [kW]:

7,5

24. Power consumption of the zone 3 [kW]:

7,5

25. Power consumption of the zone 4 [kW]:

4,5

26. Service accessibility:

Trough the frontal panel

27. Safety thermocouple:

Yes

28. Number of burners/hot plates:

4

Technical data sheet

Technical parameters



Cooking range gas

Model	SAP Code	00008516

29. Type of gas cooking zones:

Classic

30. Burner type:

Cast iron, detachable, with internal and external combustion