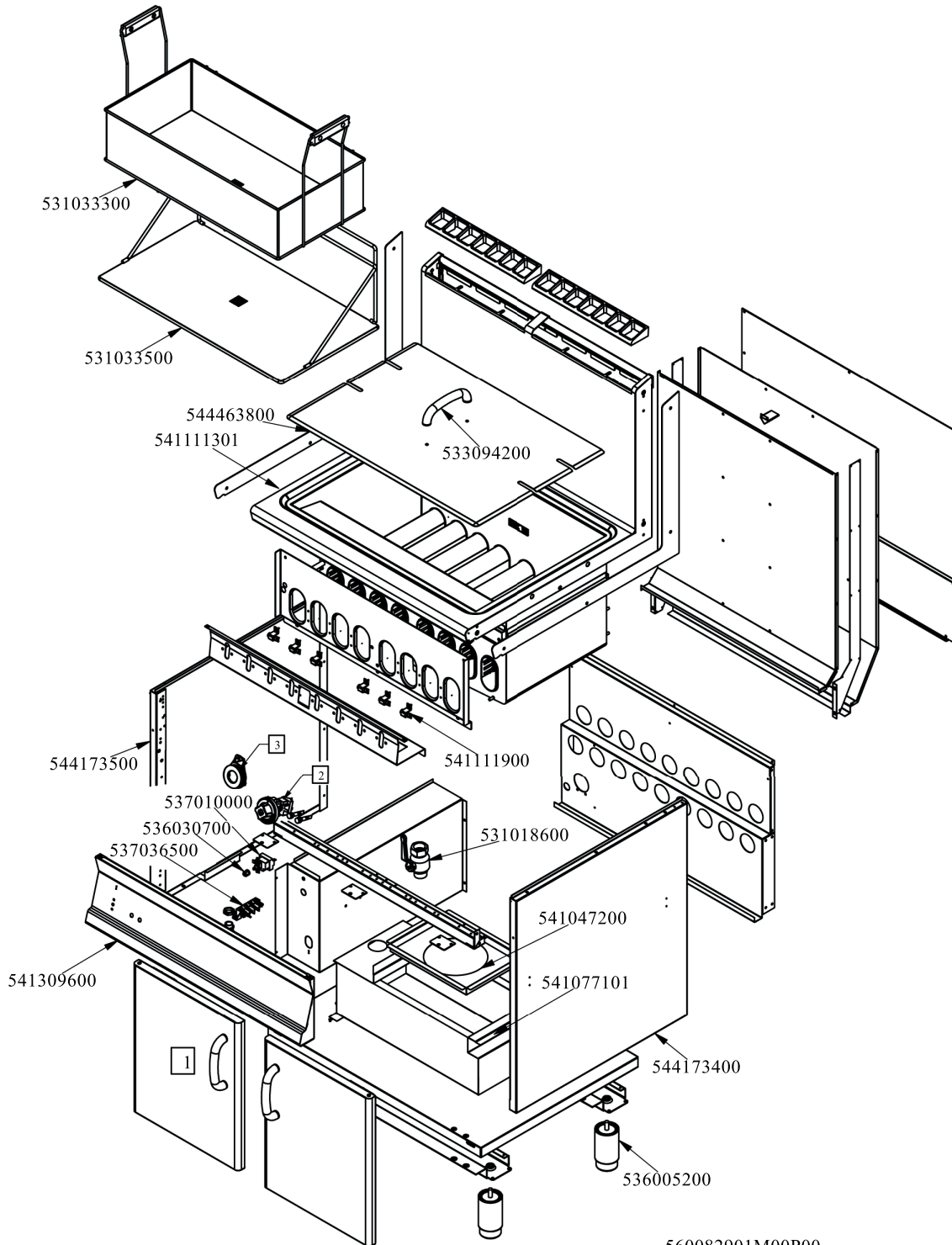
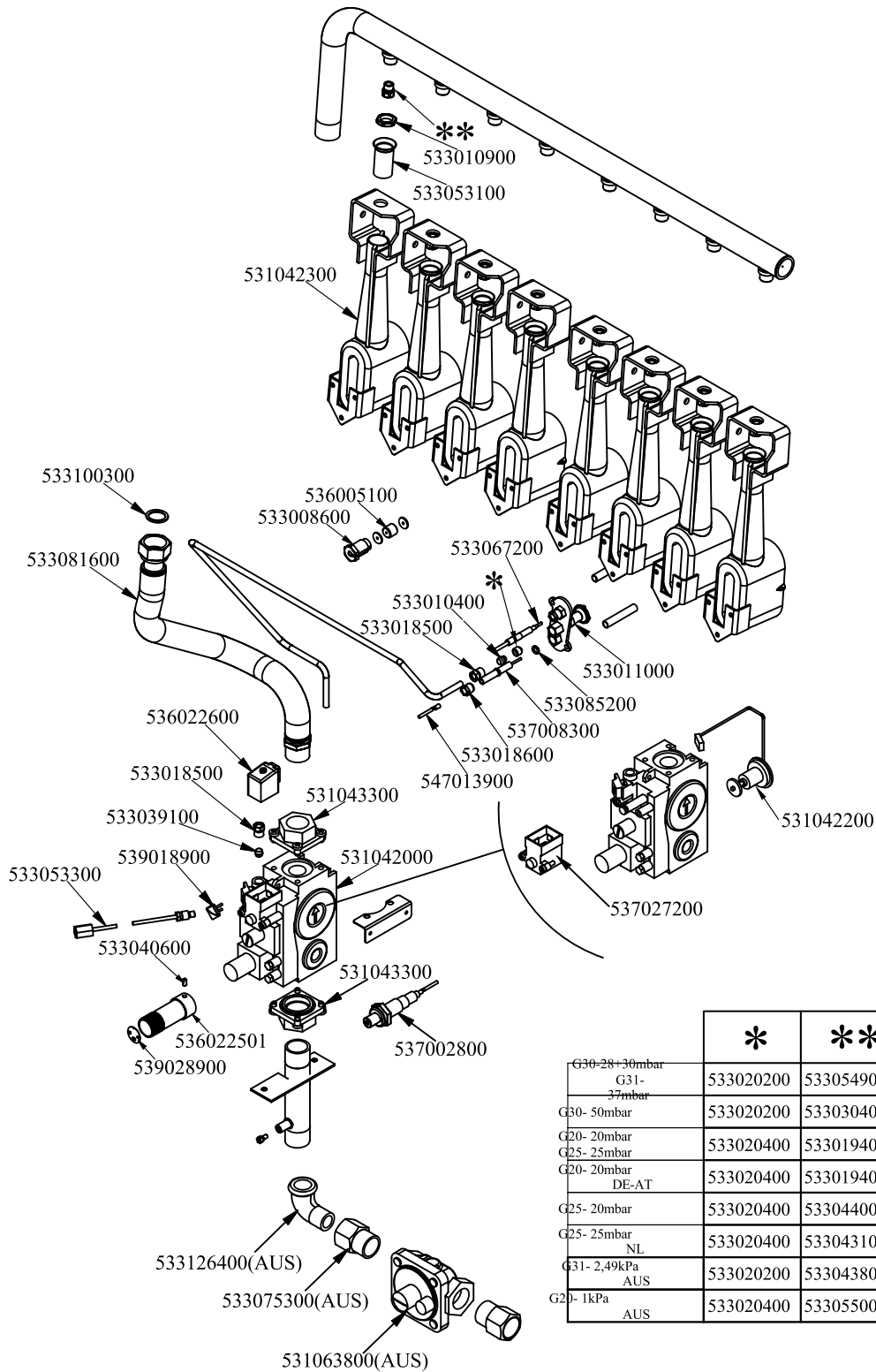


RM 700
 Platný od 1.5. 2019
 F45-78G





Objednací kód	Popis v ENG
541047200	FILTER FOR DRIP TRAY
541077101	BASIN FOR OIL COLLECTOR 19LT
531018600	BALL VALVE 1"G M-F CPM-62G
541111301	
544463800	
533094200	S/S HANDLE FOR 70/90 SERIES
531033500	TANK FILTER/BASKET SUPPORT FPG-35
531033300	FRYER BASKET 653X330X165 F45-78
541309600	
537010000	SAFETY THERMOSTAT 220°C SINGLEPHASE
536030700	M8 THREADED CAP FOR SEC.THERMOSTAT
537036500	TERMINAL BLOCK 4POLES 40A SCREW-SCR
541111900	
544173500	LEFT SIDE PANEL S.70
544173400	RIGHT SIDE PANEL S.70
536005200	INOX LEG 2" 120-180 M10
-	-
-	-
-	-

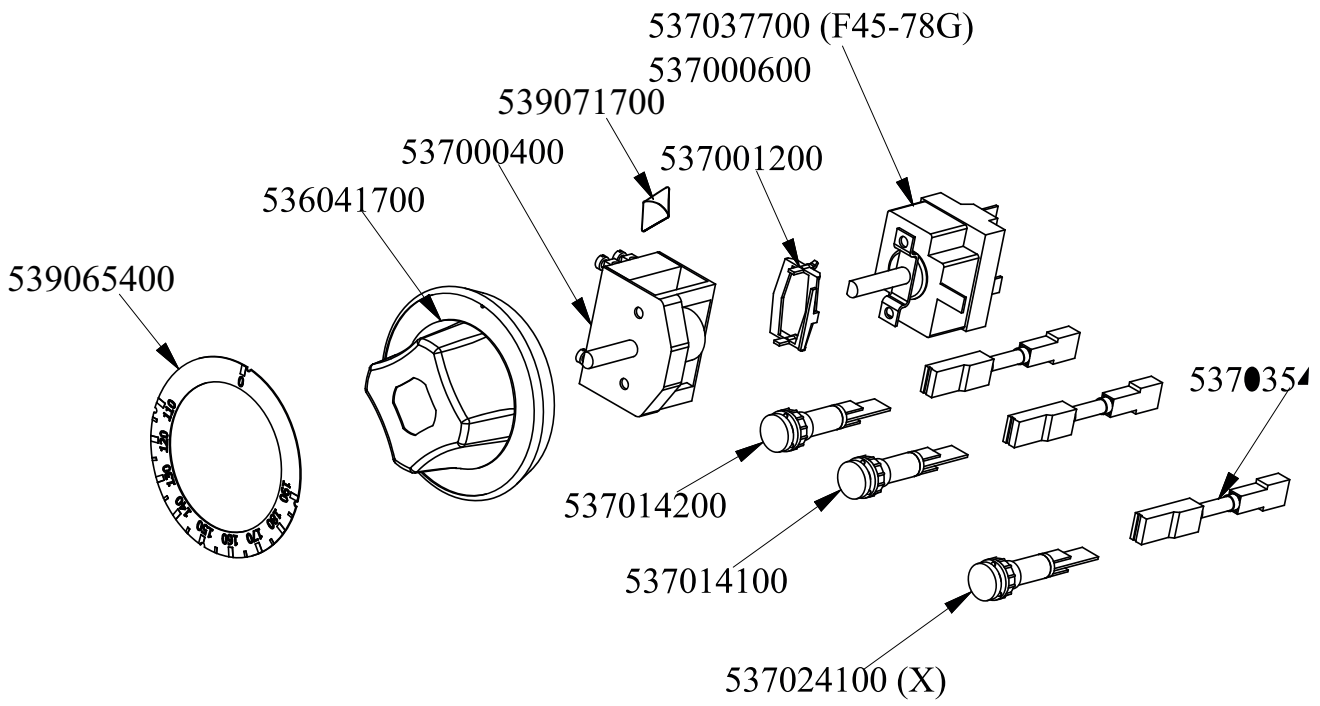


	*	**
G30-28-30mbar		
G31-27mbar	533020200	533054900
G30-50mbar	533020200	533030400
G20-20mbar	533020400	533019400
G25-25mbar		
G20-20mbar DE-AT	533020400	533019400
G25-20mbar	533020400	533044000
G25-25mbar NL	533020400	533043100
G31-2,49kPa AUS	533020200	533043800
G20-1kPa AUS	533020400	533055000

560083001M00P00



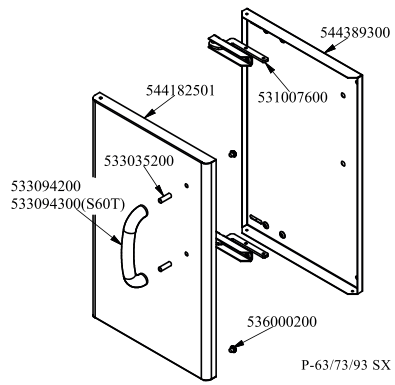
Objednací kód	Popis v ENG
533081600	EXTENSIBLE STAINL.TUBEL.200-400 3/4
533100300	GASKET §23,8X§18,4X1,5
537002800	PIEZOELECTRIC IGNITION M18 WITH NUT
547013900	HIGH-VOLTAGE CABLE TUB.§2 L=1400
533010400	BICONE D.6
533018500	FITTING FOR BICONE D.6 M10*1
533067200	THERMOCOUPLE 220+500 M9*1 CUT-OFF
536022600	BOBINE LID FOR 820 NOVA VALVE
533039100	BICONE §6
531043300	3/4 STRAIGHT FITTING W/SCREWS+ORING
531042000	NOVA VALVE 820
539018900	INDEX FOR KNOB W/RED SIGN
533053300	THERMOCOUPLE EXTENSION M9*1
531042200	MAGNET FOR VALVE 820 NOVA/MILLIVOLT
537027200	BOBINE FOR 820 NOVA VALVE
533008600	STUFFING BOX M9*1
536005100	GRAPHITE §07,4 GASKET
533055000	NOZZLE §205 CH12*14 G25 CW4
533043800	NOZZLE §130 CH12*14 G-CW4
533020400	NOZZLE 0160 (NATURAL GAS) 51
533020200	PILOT JETS 0160 FOR LPG §30
533018600	PLUG FITTING
537008300	ROUND PLUG §2,4- LONG ELECTRODE
533085200	SPACER FOR PILOT PLUG
533011000	PILOT BURNER 3 FLAMES 320
531042300	FRYER BURNER 90.LINE
533010900	NUT M14*1 H.4
533053100	AIR ADJUSTMENT BUSHING §20
539028900	ADESIVE DISK FOR EXTENSION HANDLE
536022501	HANDLE EXTENSION FOR 820NOVA VALVE
533040600	HEADLESS SCREW M4*8
533054900	NOZZLE §120 CH12*14
533030400	NOZZLE §105 CH12X14 G-FG/CW
533019400	NOZZLE §180 CH12*14 L-FQ5
533044000	NOZZLE §195 CH12*14 M-CW4
533043100	NOZZLE §185 G25 CH12X14



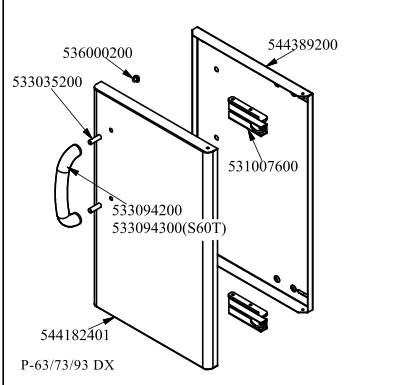
560100201M00P00



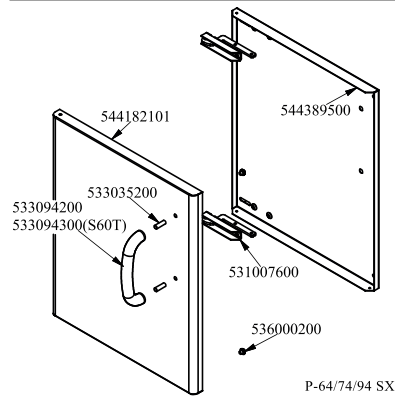
Objednací kód	Popis v ENG
539065400	BLACK STICKING DISK 72 (110,190°)
536041700	SILVER CHROM. KNOB Ø77 4P.G.Ø06X4,6
537000400	COMMUTATOR 1POS.SINGLEPHASE S49 16A
539071700	ADHES.LABEL FOR RING GREEN SIGN.
537001200	FIXING BRACKET FOR THERMOSTAT/COMM.
537037700	THERMOSTAT MONOPHASE 104-192°C
537000600	THERMOSTAT 90-180°C SINGLEPHASE
537014200	GREEN WARNING LIGHT 250V
537014100	WHITE WARNING LIGHT 250V
537024100	RED WARNING LIGHT LOW BUD 110V
537035400	HEATING ELEMENT 00003W 330KOHM W/F



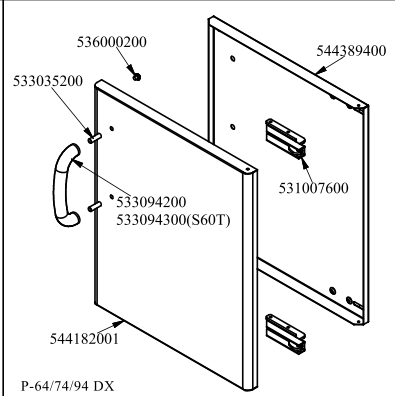
P-63/73/93 SX



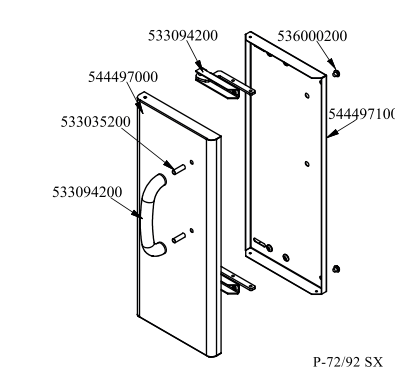
P-63/73/93 DX



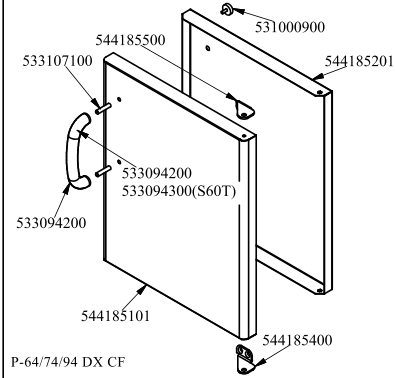
P-64/74/94 SX



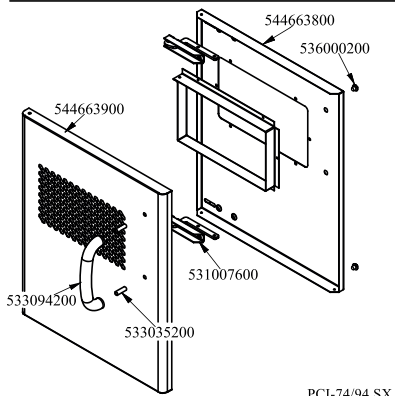
P-64/74/94 DX



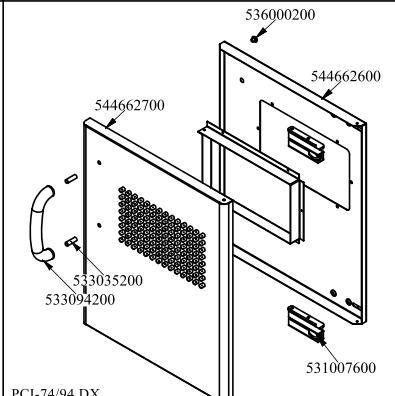
P-72/92 SX



P-64/74/94 DX CF



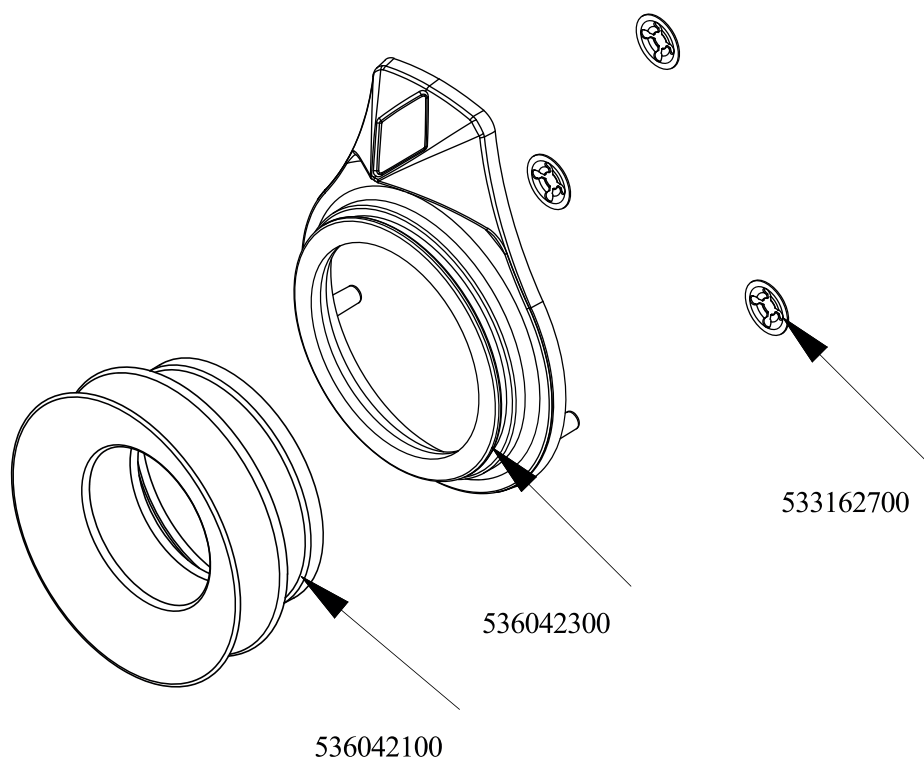
PCI-74/94 SX



PCI-74/94 DX



Objednačí kód	Popis v ENG
544185101	RIGHT DOOR 74 CF
533107100	HANDLE SPACER OF CF-70
533094200	S/S HANDLE FOR 70/90 SERIES
544185400	LOWER DOOR HINGE FOR COMPARTME CF70
544185500	UPPER DOOR HINGE FOR COMPARTME CF70
544185201	INNER DOOR * 74DX
531000900	MAGNET §22 KG.3 WITH DISK
536000200	D.12 H.4 BUMPER
544182001	RIGHT DOOR 74
531007600	DOOR HINGE
544389400	
533035200	HANDLE SPACER
544182101	LEFT DOOR 74
544389500	INNER-DOOR OF LHD 74
544182401	RIGHT DOOR 73
544389200	
544389300	
544182501	LEFT DOOR 73
544497000	
544497100	
544663900	LHD 74 DOOR FOR PCI
544663800	74 LHD OVEN INNER DOOR FOUR PCI
544662700	DOOR 74 DX PCI
544662600	
533094300	S/S HANDLE FOR 600T.LINE



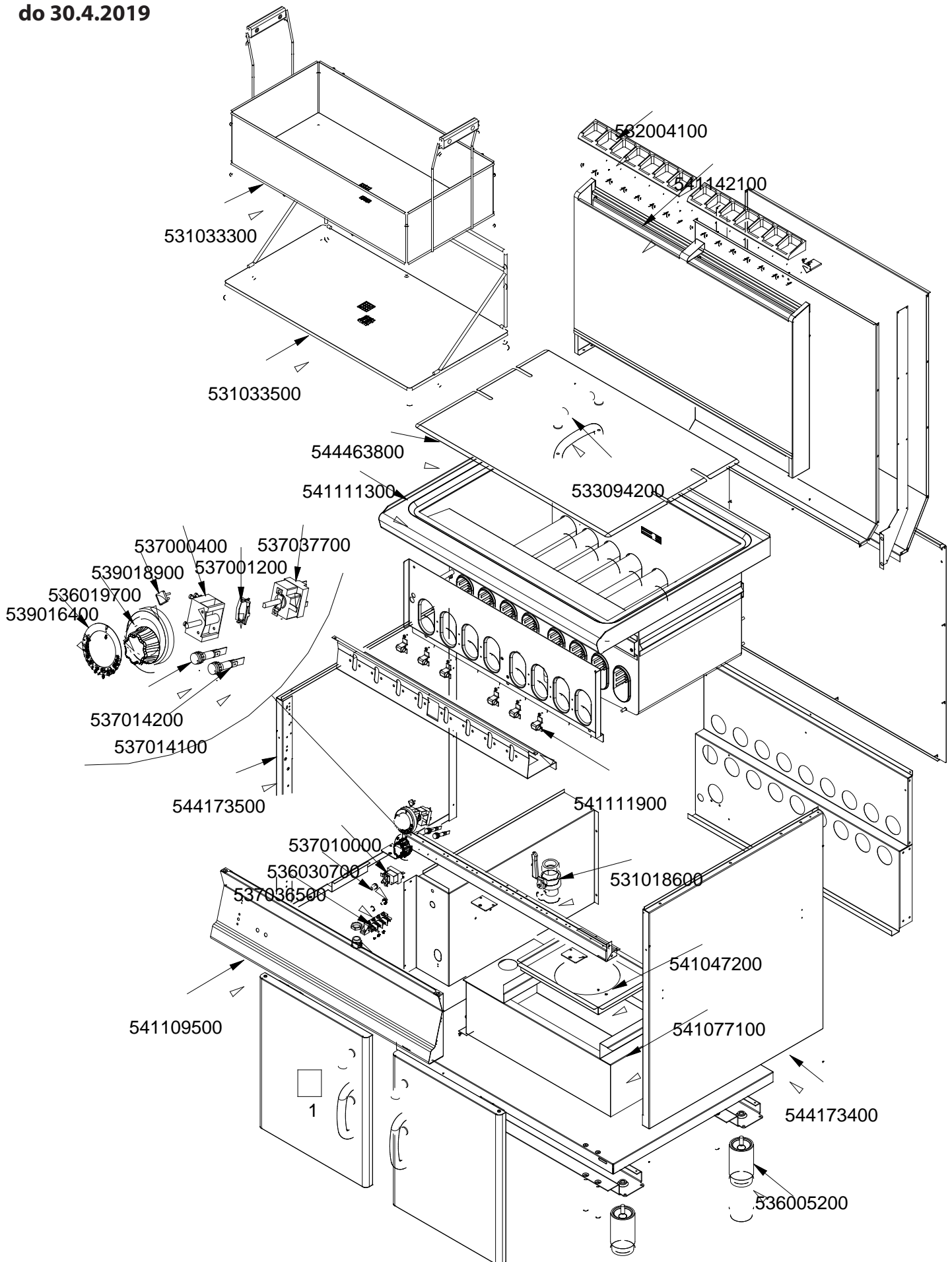
560125700M00P00



Objednačí kód	Popis v ENG
536042300	SILVER CHROM. RING FOR KNOB Ø77 4 P
536042100	SEAL CASING FOR KNOB Ø77 4 P
533162700	PROCESSING CODE

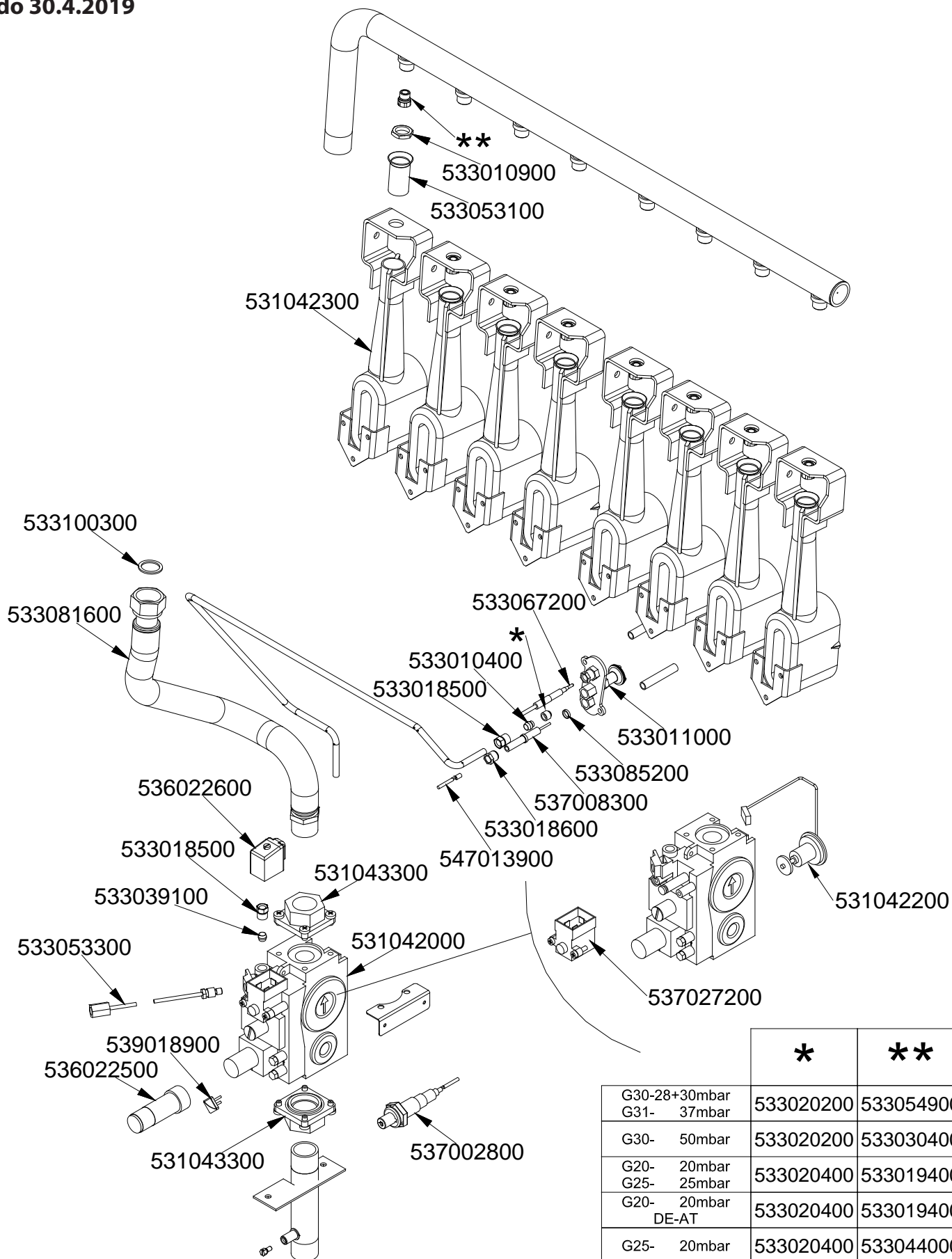


F45 - 78 G
Platný od
1.5.2016
do 30.4.2019





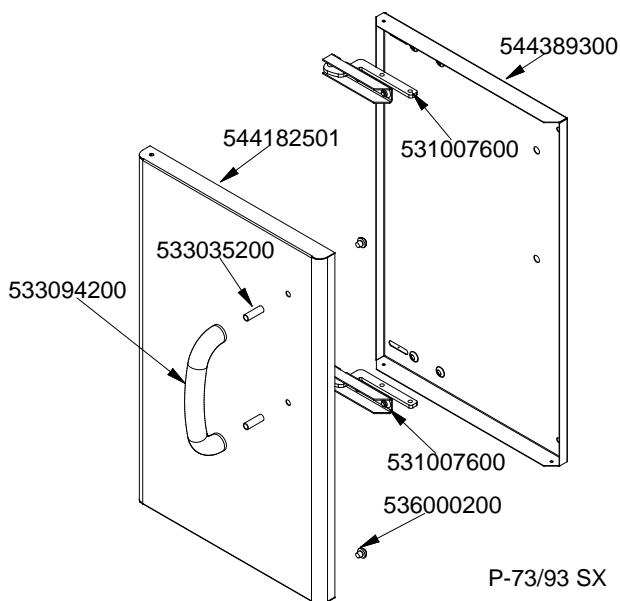
F45 - 78 G
 Platný od
 1.5.2016
 do 30.4.2019



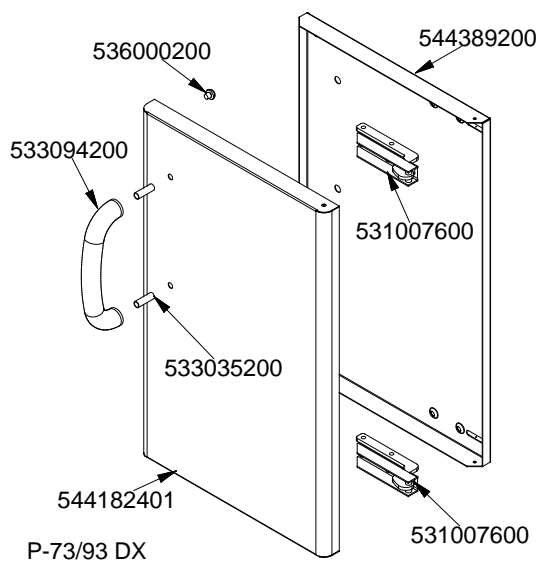
	*	**
G30-28+30mbar G31- 37mbar	533020200	533054900
G30- 50mbar	533020200	533030400
G20- 20mbar G25- 25mbar	533020400	533019400
G20- 20mbar DE-AT	533020400	533019400
G25- 20mbar	533020400	533044000
G25- 25mbar NL	533020400	533043100



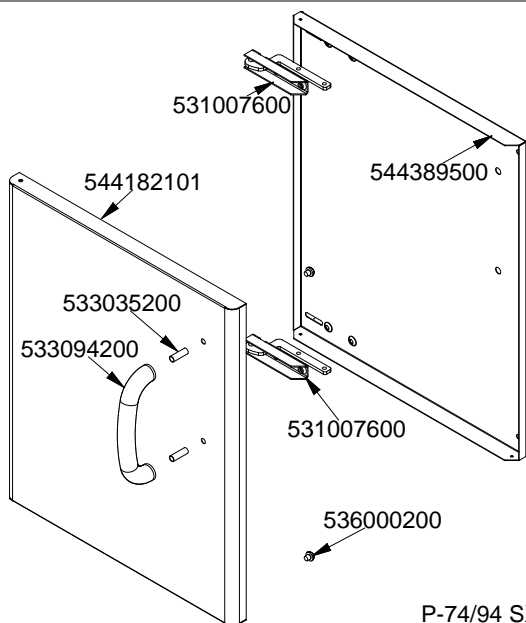
F45 - 78 G (1)
 Platný od
 1.5.2016
 do 30.4.2019



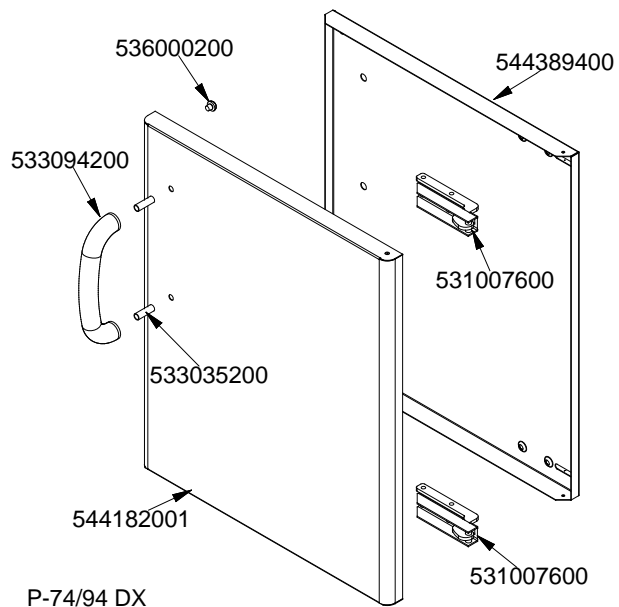
P-73/93 SX



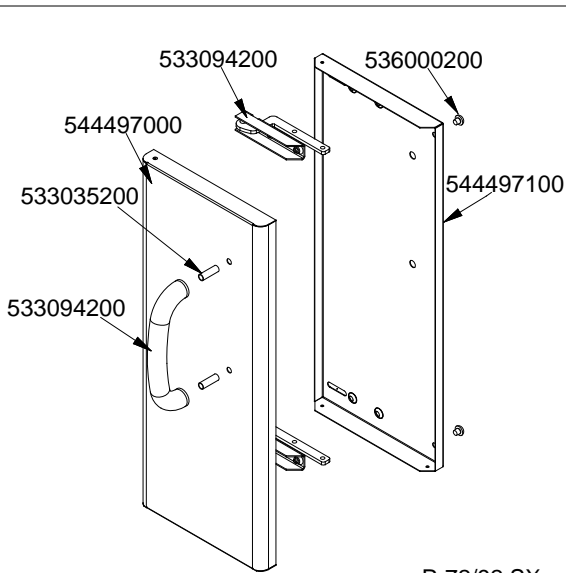
P-73/93 DX



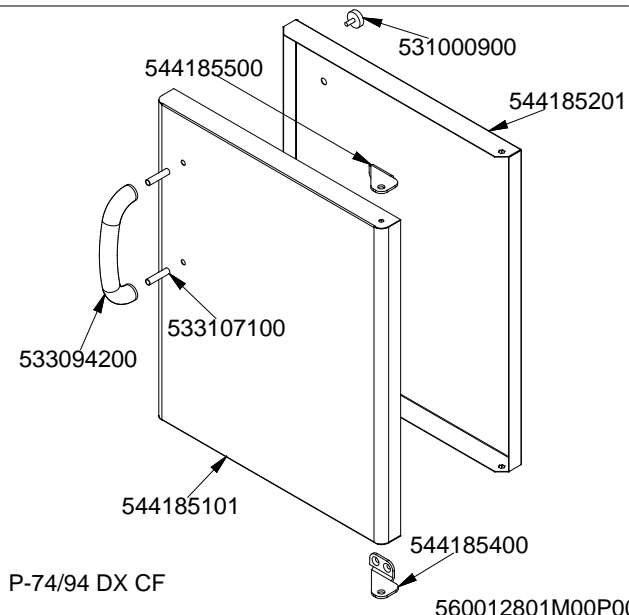
P-74/94 SX



P-74/94 DX



P-72/92 SX



P-74/94 DX CF

560012801M00P00