

Technical data sheet

Product features



Cooking range electric with static electric oven GN 1/1 - 6x plate 400 V

| | | |
|--------------|-----------------|----------|
| Model | SAP Code | 00000311 |
|--------------|-----------------|----------|



- Device type: Electric unit
- Power consumption of the zone 1 [kW]: 2
- Power consumption of the zone 2 [kW]: 2
- Power consumption of the zone 3 [kW]: 2
- Power consumption of the zone 4 [kW]: 1
- Power consumption of the zone 5 [kW]: 1
- Power consumption of the zone 6 [kW]: 1
- Type of internal part of the appliance 1 (eg oven): Electric
- Type of internal part of the appliance 2 (eg oven): Static
- Protection of controls: IPX5
- Material: AISI 304 top plate and cladding

| | | | |
|---|--------------------|---|----------|
| SAP Code | 00000311 | Power consumption of the zone 3 [kW] | 2 |
| Net Width [mm] | 1000 | Power consumption of the zone 4 [kW] | 1 |
| Net Depth [mm] | 600 | Power consumption of the zone 5 [kW] | 1 |
| Net Height [mm] | 900 | Power consumption of the zone 6 [kW] | 1 |
| Net Weight [kg] | 85.00 | Type of internal part of the appliance 1 (eg oven) | Electric |
| Power electric [kW] | 11.620 | Type of internal part of the appliance 2 (eg oven) | Static |
| Loading | 400 V / 3N - 50 Hz | Width of internal part [mm] | 640 |
| Number of zones | 6 | Depth of internal part [mm] | 420 |
| Power consumption of the zone 1 [kW] | 2 | Height of internal part [mm] | 350 |
| Power consumption of the zone 2 [kW] | 2 | | |

Technical data sheet

Technical drawing

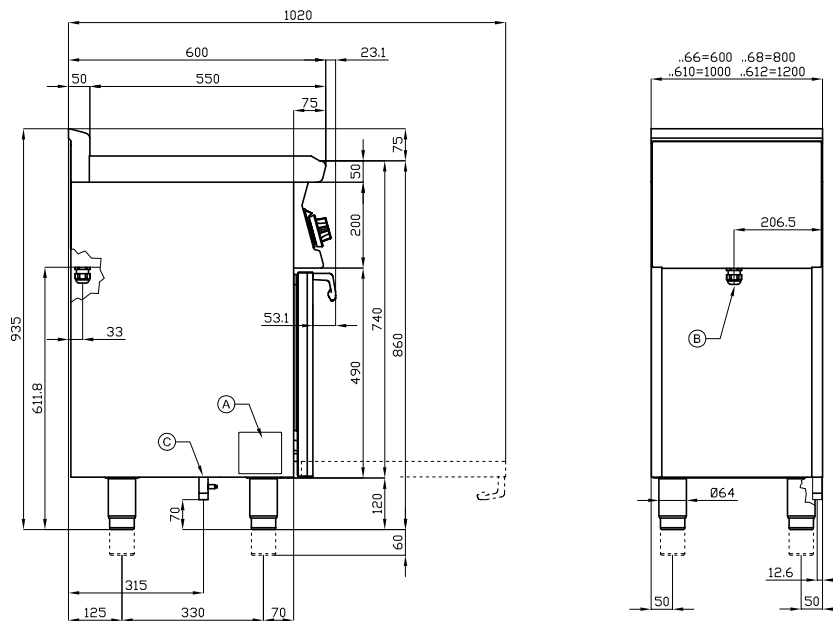


Cooking range electric with static electric oven GN 1/1 - 6x plate 400 V

Model

SAP Code

00000311



| | | | |
|---|------------|---|-----------------------|
| A | Data plate | B | Electrical connection |
|---|------------|---|-----------------------|

Technical data sheet

Product benefits



Cooking range electric with static electric oven GN 1/1 - 6x plate 400 V

Model

SAP Code

00000311

1

Internal thermostatic plate protection

longer service life of the plates
– no overheating of the plates and no cracking

2

Degree of protection of the control elements IPX5

maintenance-free system
resistance to splash water
long life
– savings on service interventions
– easy cleaning and maintenance of equipment

3

All-stainless design

the material does not cut
wear resistance of the material
long life
– savings on service interventions
– easy cleaning and maintenance of equipment

4

Hygienic moldings of the top plate

absence of sharp corners and edges (potential places where dirt could stick)
smooth transitions
– easy quick cleaning

5

Large oven with four rack positions with static cooking

static baking
high capacity and variability
all-stainless design
– suitable for yeast dishes and desserts
– long service life
– easy to clean

Technical data sheet

Technical parameters



Cooking range electric with static electric oven GN 1/1 - 6x plate 400 V

Model

SAP Code

00000311

1. SAP Code:

00000311

2. Net Width [mm]:

1000

3. Net Depth [mm]:

600

4. Net Height [mm]:

900

5. Net Weight [kg]:

85.00

6. Gross Width [mm]:

1030

7. Gross depth [mm]:

670

8. Gross Height [mm]:

1110

9. Gross Weight [kg]:

95.00

10. Device type:

Electric unit

11. Construction type of device:

With substructure

12. Power electric [kW]:

11.620

13. Loading:

400 V / 3N - 50 Hz

14. Protection of controls:

IPX5

15. Device color:

Stainless steel

16. Material:

AISI 304 top plate and cladding

17. Indicators:

operation and warm-up

18. Worktop material:

AISI 304

19. Worktop Thickness [mm]:

1.00

20. Number of zones:

6

21. Power consumption of the zone 1 [kW]:

2

22. Power consumption of the zone 2 [kW]:

2

23. Power consumption of the zone 3 [kW]:

2

24. Power consumption of the zone 4 [kW]:

1

25. Power consumption of the zone 5 [kW]:

1

26. Power consumption of the zone 6 [kW]:

1

27. Maximum device temperature [°C]:

300

28. Minimum device temperature [°C]:

50

Technical data sheet

Technical parameters



Cooking range electric with static electric oven GN 1/1 - 6x plate 400 V

Model

SAP Code

00000311

29. Number of power control stages:

6

30. Service accessibility:

Trough the frontal panel

31. Safety thermostat:

Yes

32. Safety thermostat up to x ° C:

360

33. Adjustable feet:

Yes

34. Number of burners/hot plates:

6

35. Type of electric cooking zones:

Oval

36. Oven Type:

electrical static with grill

37. Oven size:

GN 1/1

38. Type of internal part of the appliance 1 (eg oven):

Electric

39. Type of internal part of the appliance 2 (eg oven):

Static

40. Width of internal part [mm]:

640

41. Depth of internal part [mm]:

420

42. Height of internal part [mm]:

350

43. Maximum temperature of the inner chamber [°C]:

300

44. Minimum temperature of the inner chamber [°C]:

50

45. Number of internal parts:

4