

Technical data sheet

Product features



Boiling kettle gas indirect 50 l

Model	SAP Code	00003025
--------------	-----------------	----------



- Device type: Gas unit
- Device heating type: Indirect
- Ignition: Piezo+veřn plamen
- Steam pressure regulation: Automatic - the pressure switch regulates the performance of the device
- Filling: Semi-automatic
- Jacket filling: Semi-automatic
- Drain: Yes
- Drain valve diameter: 2â€ 
- Basin dimensions [mm x mm x mm]: d400 x 450
- Basin volume [l]: 50
- Usable volume [l]: 50

SAP Code	00003025	Type of gas	Natural gas, propane butane
Net Width [mm]	800	Basin volume [l]	50
Net Depth [mm]	705	Usable volume [l]	50
Net Height [mm]	900	Basin dimensions [mm x mm x mm]	d400 x 450
Net Weight [kg]	110.00	Device heating type	Indirect
Power gas [kW]	15.500	Steam pressure regulation	Automatic - the pressure switch regulates the performance of the device

Technical data sheet

Technical drawing

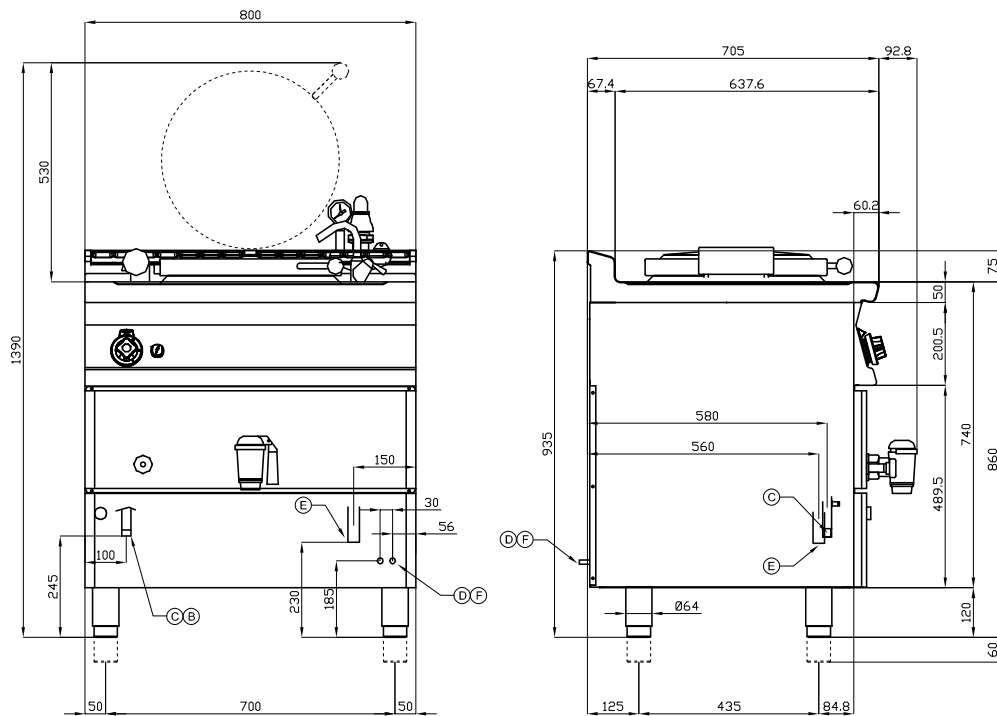


Boiling kettle gas indirect 50 l

Model

SAP Code

00003025



A	Data plate		C	Gas connection	ISO 7-1 3/4" M
D	Cold water connection	Ø10mm	E	Water drainage	Ø25mm
F	Hot water connection	Ø10mm			

Technical data sheet

Product benefits



Boiling kettle gas indirect 50 l

Model

SAP Code

00003025

1

Semi-automatic tolerance

maintenance-free system
equipped with a spring for convenient tilting
long life

- savings on service interventions
- easier and faster operation

2

Degree of protection of the control elements IPX5

maintenance-free system
resistance to splash water
long life

- savings on service interventions
- easy cleaning and maintenance of equipment

3

Smart handle

protection against scalding when lifting the lid
easy handling to operate at any height

- high security
- fewer health problems caused by poor ergonomics

4

Duplicator bottom AISI 316

long service life even in an aggressive salty environment

- savings on service interventions
- avoidance of losses due to interruptions in plant operation

5

All-stainless design including bottom

long service life even in an aggressive salty environment

- savings on service interventions
- easy cleaning and maintenance of equipment

6

Upper hygienic molding with an opening for the drainage of excess contents

spilled or overflowing liquids around the boiler neck can drain into the waste

- easier to keep the workplace clean
- easier to maintain hygiene standards
- easier cleaning of the boiler surface

Technical data sheet

Technical parameters



Boiling kettle gas indirect 50 l

Model

SAP Code

00003025

1. SAP Code:

00003025

2. Net Width [mm]:

800

3. Net Depth [mm]:

705

4. Net Height [mm]:

900

5. Net Weight [kg]:

110.00

6. Gross Width [mm]:

830

7. Gross depth [mm]:

770

8. Gross Height [mm]:

1110

9. Gross Weight [kg]:

120.00

10. Device type:

Gas unit

11. Construction type of device:

With substructure

12. Power gas [kW]:

15.500

13. Ignition:

Piezo+veÄŤnÄŤ plamen

27. Service accessibility:

Trough the frontal panel

14. Type of gas:

Natural gas, propane butane

15. Protection of controls:

IPX4

16. Device color:

Stainless steel

17. Material:

AISI 304 top plate and cladding

18. Indicators:

operation and warm-up

19. Drain valve diameter:

2â€ â€

20. Worktop type:

Molded - comfortable cleaning maintenance

21. Worktop material:

AISI 304

22. Worktop Thickness [mm]:

2.00

23. Device heating type:

Indirect

24. Basin volume [l]:

50

25. Basin dimensions [mm x mm x mm]:

d400 x 450

26. Power control type:

infinitely adjustable power

35. Jacket filling:

Semi-automatic

Technical data sheet

Technical parameters



Boiling kettle gas indirect 50 l

Model

SAP Code

00003025

28. Safety element:

the safety pressure fitting prevents the risk of overpressurization of the duplicator and subsequent explosion
safety element "thermocouple"

29. Safety thermocouple:

Yes

30. Adjustable feet:

Yes

31. Bottom material:

AISI 316

32. Type of pan:

Fixed

33. Usable volume [l]:

50

34. Filling:

Semi-automatic

36. Steam pressure regulation:

Automatic - the pressure switch regulates the performance of the device

37. Type of drain valve:

conical

38. Overflow:

Yes

39. Manometer:

Yes

40. Water filling type:

Both cold and warm

41. Drain:

Yes