

Technical data sheet

Product features



Fry-top griddle plate 100x45 electric chromed combined without cabinet 400 V

Model	SAP Code	00006388
--------------	-----------------	----------

- Top type: Combinated
- Worktop material: Super chrom
- Maximum device temperature [°C]: 300



SAP Code	00006388	Net Weight [kg]	78.00
Net Width [mm]	1000	Power electric [kW]	11.250
Net Depth [mm]	600	Loading	400 V / 3N - 50 Hz
Net Height [mm]	280	Top type	Combinated

Technical data sheet

Technical drawing

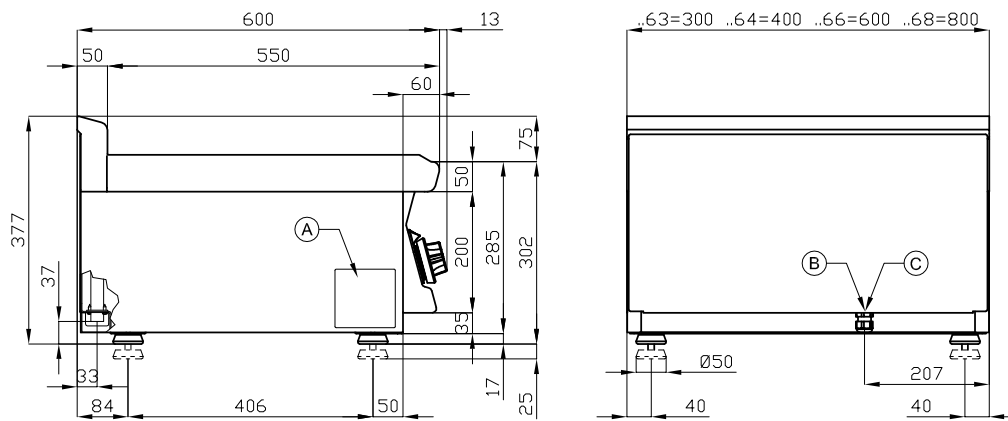


Fry-top griddle plate 100x45 electric chromed combined without cabinet 400 V

Model

SAP Code

00006388



A	Data plate		B	Electrical connection	
---	------------	--	---	-----------------------	--

Technical data sheet

Product benefits



Fry-top griddle plate 100x45 electric chromed combined without cabinet 400 V

Model

SAP Code

00006388

1

All-stainless design

long life
resistance of AISI 304 stainless steel material
the material does not cut

- savings on service interventions
- easier and faster operation

2

Degree of protection of the control elements IPX5

maintenance-free system
resistance to splash water
long life

- savings on service interventions
- easy cleaning and maintenance of equipment

3

Outlet for waste liquids

ensures that oil drips into the socket

- easy maintenance
- easy cleaning

4

High detachable hem

better hygienic conditions
preventing grease from splashing onto ancillary equipment

- easy maintenance
- easy cleaning

5

Combined plate made of chrome-plated steel

the product bakes less
enables preparation on smooth or grooved plates

- time-saving in food preparation
- easy preparation of different types of dishes

6

Cooking unit for use on a table or on a base

variable use
the possibility of placement in smaller spaces

- easy handling
- cost savings on substructure

Technical data sheet

Technical parameters



Fry-top griddle plate 100x45 electric chromed combined without cabinet 400 V

Model

SAP Code

00006388

1. SAP Code:

00006388

2. Net Width [mm]:

1000

3. Net Depth [mm]:

600

4. Net Height [mm]:

280

5. Net Weight [kg]:

78.00

6. Gross Width [mm]:

1030

7. Gross depth [mm]:

690

8. Gross Height [mm]:

610

9. Gross Weight [kg]:

88.00

10. Device type:

Electric unit

11. Construction type of device:

Table top

12. Power electric [kW]:

11.250

13. Loading:

400 V / 3N - 50 Hz

14. Protection of controls:

IPX5

15. Device color:

Stainless steel

16. Material:

AISI 304 top plate and cladding

17. Worktop material:

Super chrom

18. Worktop Thickness [mm]:

2.50

19. Maximum device temperature [°C]:

300

20. Minimum device temperature [°C]:

50

21. Service accessibility:

Trough the frontal panel

22. Safety thermostat:

Yes

23. Adjustable feet:

Yes

24. Top type:

Combinated