

Technical data sheet

Product features



Cooking range solid top combined with static electric oven GN 2/1 - 1x burner

Model	SAP Code	00004685
--------------	-----------------	----------



- Device type: Combined unit
- Power consumption of the zone 1 [kW]: 12
- Ignition: Piezo+večný plamen
- Type of internal part of the appliance 1 (eg oven): Electric
- Type of internal part of the appliance 2 (eg oven): Static
- Protection of controls: IPX5
- Material: AISI 304

SAP Code	00004685	Number of zones	1
Net Width [mm]	800	Power consumption of the zone 1 [kW]	12
Net Depth [mm]	900	Type of internal part of the appliance 1 (eg oven)	Electric
Net Height [mm]	900	Type of internal part of the appliance 2 (eg oven)	Static
Net Weight [kg]	180.00	Width of internal part [mm]	680
Power electric [kW]	6.700	Depth of internal part [mm]	730
Loading	400 V / 3N - 50 Hz	Height of internal part [mm]	340
Power gas [kW]	12.000	Solid top dimensions [mm x mm]	650 x 710
Type of gas	Natural gas, propane butane		

Technical data sheet

Technical drawing

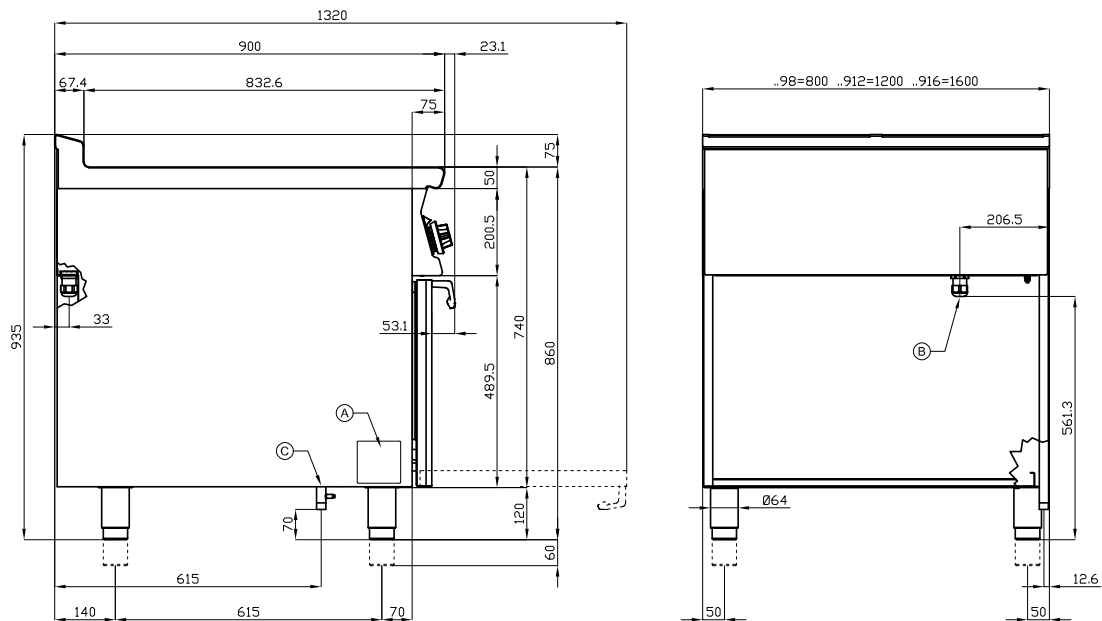


Cooking range solid top combined with static electric oven GN 2/1 - 1x burner

Model

SAP Code

00004685



A	Data plate	C	Gas connection	ISO 7-1 3/4" M
---	------------	---	----------------	----------------

Technical data sheet

Product benefits



Cooking range solid top combined with static electric oven GN 2/1 - 1x burner

Model	SAP Code	00004685
-------	----------	----------

1

Massive construction of burners

- high performance and efficiency
- brass burners removable
- eternal flame
- long life
- demountable
 - energy saving (perfect combustion)
 - time saving for food preparation
 - easy maintenance/cleaning

2

Hygienic moldings of the top plate

- absence of sharp corners and edges (potential places where dirt could stick)
- smooth transitions
 - easy quick cleaning

3

Degree of protection of the control elements IPX5

- maintenance-free system
- resistance to splash water
- long life
 - savings on service interventions
 - easy cleaning and maintenance of equipment

4

All-stainless design

- the material does not cut
- wear resistance of the material
- long life
 - savings on service interventions
 - easy cleaning and maintenance of equipment

5

Safety element – thermocouple

- safe operation for personnel
- there is no overheating and damage to the thallus
- long life
 - savings on service interventions
 - easier and faster operation

6

Piezoelectric ignition

- instant flame ignition
- there is no unnecessary gas leakage
- long life
 - savings on service interventions
 - easier and faster operation

7

Massive thal

- 15mm material ensures even distribution of heat and heating of the product (heat several pots at the same time at the same temperature)
- material resistance
- long life
 - time saving
 - ease of operation
 - savings on service interventions

8

Large electric oven with four positions for racks with static cooking

- static baking
- high capacity and variability
- all-stainless design
 - suitable for yeast dishes and desserts
 - long service life
 - easy to clean

Technical data sheet

Technical parameters



Cooking range solid top combined with static electric oven GN 2/1 - 1x burner

Model

SAP Code

00004685

1. SAP Code:

00004685

2. Net Width [mm]:

800

3. Net Depth [mm]:

900

4. Net Height [mm]:

900

5. Net Weight [kg]:

180.00

6. Gross Width [mm]:

830

7. Gross depth [mm]:

970

8. Gross Height [mm]:

1110

9. Gross Weight [kg]:

196.00

10. Device type:

Combined unit

11. Construction type of device:

With substructure

12. Power electric [kW]:

6.700

13. Loading:

400 V / 3N - 50 Hz

14. Power gas [kW]:

12.000

15. Ignition:

Piezo+večný plamen

16. Type of gas:

Natural gas, propane butane

17. Protection of controls:

IPX5

18. Device color:

Stainless steel

19. Material:

AISI 304

20. Worktop type:

Molded - comfortable cleaning maintenance

21. Worktop material:

AISI 304

22. Worktop Thickness [mm]:

15.00

23. Number of zones:

1

24. Power consumption of the zone 1 [kW]:

12

25. Number of power control stages:

6

26. Grid material:

Cast iron

27. Service accessibility:

From the front by removing the front panel and waste fluid containers

28. Safety thermocouple:

Yes

Technical data sheet

Technical parameters



Cooking range solid top combined with static electric oven GN 2/1 - 1x burner

Model

SAP Code

00004685

29. Safety thermostat up to x ° C:

360

39. Depth of internal part [mm]:

730

30. Adjustable feet:

Yes

40. Height of internal part [mm]:

340

31. Number of burners/hot plates:

1

41. Gasket:

Yes

32. Type of gas cooking zones:

Thales

42. Maximum temperature of the inner chamber [°C]:

300

33. Oven Type:

electrical static

43. Minimum temperature of the inner chamber [°C]:

50

34. Oven size:

GN 2/1

44. Number of internal parts:

4

35. Oven material:

Stainless steel

45. Solid top thickness [mm]:

15

36. Type of internal part of the appliance 1 (eg oven):

Electric

46. Solid top dimensions [mm x mm]:

650 x 710

37. Type of internal part of the appliance 2 (eg oven):

Static

47. Solid top ignition:

Piezo + Eternal Flame

38. Width of internal part [mm]:

680