

# Technical data sheet



## Product features

### Electric fryer 0,74 kW/l, 11 l counter top drain tap 400 V

|              |                 |          |
|--------------|-----------------|----------|
| <b>Model</b> | <b>SAP Code</b> | 00000896 |
|--------------|-----------------|----------|



- Basin volume [l]: 11
- Drain type: On the front panel
- Drain: Yes
- Maximum device temperature [°C]: 190
- Minimum device temperature [°C]: 50
- Material: Stainless steel
- Heating location: Inside the tank
- Ignition: Electric
- Number of baskets: 1

|                        |          |                            |                    |
|------------------------|----------|----------------------------|--------------------|
| <b>SAP Code</b>        | 00000896 | <b>Power electric [kW]</b> | 8.100              |
| <b>Net Width [mm]</b>  | 392      | <b>Loading</b>             | 400 V / 3N - 50 Hz |
| <b>Net Depth [mm]</b>  | 440      | <b>Basin volume [l]</b>    | 11                 |
| <b>Net Height [mm]</b> | 381      | <b>Number of baskets</b>   | 1                  |
| <b>Net Weight [kg]</b> | 11.50    |                            |                    |

# Technical data sheet



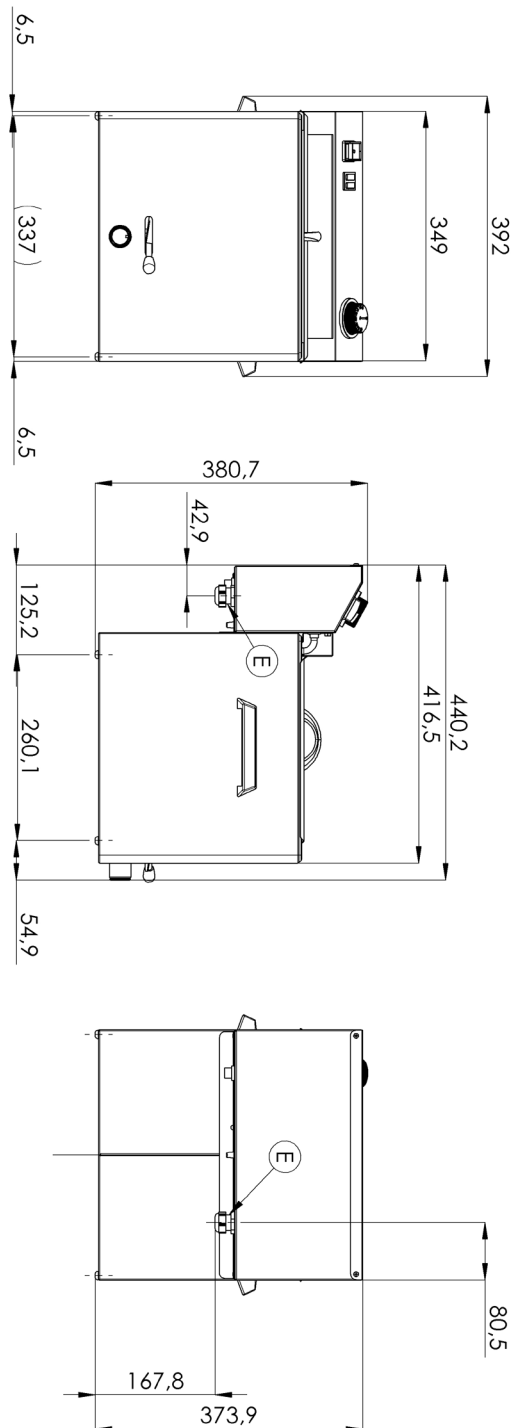
Technical drawing

Electric fryer 0,74 kW/l, 11 l counter top drain tap 400 V

Model

SAP Code

00000896



### Electric fryer 0,74 kW/l, 11 l counter top drain tap 400 V

Model

SAP Code

00000896

1

#### All-stainless design

long life  
resistance of AISI 304 stainless steel material  
the material does not cut

- savings on service interventions
- easier and faster operation

2

#### Degree of protection of the control elements IPX4

maintenance-free system  
resistance to splash water  
long life

- savings on service interventions
- easy cleaning and maintenance of equipment

3

#### Effective cold zone

prevents food residues from burning  
there is no change in the taste of the oil

- longer oil life
- easy access and maintenance

4

#### Removable heating element

longer lifetime  
easy access

- fully removable electric box with heating element for convenient cleaning and servicing
- easy access even to corners and time saving

5

#### Removable container

stainless steel container with handles

- easier cleaning and handling
- dishwasher safe

6

#### Manipulation

easy portability

- flexibility in the kitchen, can be used for banquets

7

#### Prevention of spontaneous combustion

higher rear chimney

- safer heat dissipation and separation of oil and ventilation from the fryer

8

#### 2 thermostats

safety and working thermostat

- traffic safety
- prevention of spontaneous combustion
- Prevention of oil flashover

# Technical data sheet



## Technical parameters

### Electric fryer 0,74 kW/l, 11 l counter top drain tap 400 V

**Model**

**SAP Code**

00000896

**1. SAP Code:**

00000896

**2. Net Width [mm]:**

392

**3. Net Depth [mm]:**

440

**4. Net Height [mm]:**

381

**5. Net Weight [kg]:**

11.50

**6. Gross Width [mm]:**

515

**7. Gross depth [mm]:**

400

**8. Gross Height [mm]:**

440

**9. Gross Weight [kg]:**

13.00

**10. Device type:**

Electric unit

**11. Construction type of device:**

Table top

**12. Power electric [kW]:**

8.100

**13. Loading:**

400 V / 3N - 50 Hz

**14. Ignition:**

Electric

**15. Protection of controls:**

IPX4

**16. Material:**

Stainless steel

**17. Indicators:**

operation and warm-up

**18. Worktop material:**

AISI 304

**19. Worktop Thickness [mm]:**

0.80

**20. Standard equipment for device:**

lid, basket, drain plug

**21. Basin volume [l]:**

11

**22. Maximum device temperature [°C]:**

190

**23. Minimum device temperature [°C]:**

50

**24. Safety thermostat up to x °C:**

235

**25. Adjustable feet:**

Yes

**26. Heating element material:**

AISI 304

**27. Number of baskets:**

1

**28. Heating element construction:**

Large surface area coiled heating element to extend its life and heat the oil bath evenly

# Technical data sheet



Technical parameters

Electric fryer 0,74 kW/l, 11 l counter top drain tap 400 V

|              |                 |          |
|--------------|-----------------|----------|
| <b>Model</b> | <b>SAP Code</b> | 00000896 |
|--------------|-----------------|----------|

**29. Drain type:**

On the front panel

**31. Heating location:**

Inside the tank

**30. Drain:**

Yes