

# Technical data sheet

## Product features



### Lava stone grill gas 2 cooking areas 2x 38x66 on open cabinet

<b>Model</b>	<b>SAP Code</b>	00012260
--------------	-----------------	----------



- Grid size [mm x mm]: 380 x 660
- Removable rim: Yes
- Removable grid: Yes
- Ignition: Piezo+večný plamen

<b>SAP Code</b>	00012260	<b>Power gas [kW]</b>	24.000
<b>Net Width [mm]</b>	800	<b>Type of gas</b>	Natural gas, propane butane
<b>Net Depth [mm]</b>	900	<b>Grid size [mm x mm]</b>	380 x 660
<b>Net Height [mm]</b>	280	<b>Worktop type</b>	Molded - comfortable cleaning maintenance
<b>Net Weight [kg]</b>	87.00		

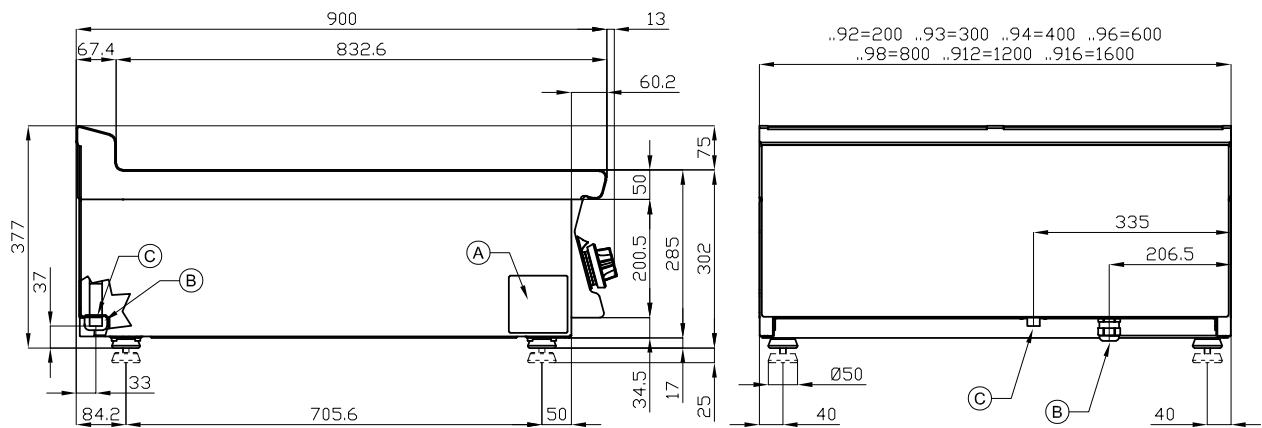
# Technical data sheet

Technical drawing



Lava stone grill gas 2 cooking areas 2x 38x66 on open cabinet

<b>Model</b>	<b>SAP Code</b>	00012260
--------------	-----------------	----------



A	Data plate		C	Gas connection	ISO 7-1 1/2" M
---	------------	--	---	----------------	----------------

# Technical data sheet

Technical parameters



## Lava stone grill gas 2 cooking areas 2x 38x66 on open cabinet

<b>Model</b>	<b>SAP Code</b>	00012260
--------------	-----------------	----------

**1. SAP Code:**

00012260

**2. Net Width [mm]:**

800

**3. Net Depth [mm]:**

900

**4. Net Height [mm]:**

280

**5. Net Weight [kg]:**

87.00

**6. Gross Width [mm]:**

830

**7. Gross depth [mm]:**

970

**8. Gross Height [mm]:**

630

**9. Gross Weight [kg]:**

97.00

**10. Device type:**

Gas unit

**11. Construction type of device:**

With substructure

**12. Power gas [kW]:**

24.000

**13. Ignition:**

Piezo+večný plamen

**14. Type of gas:**

Natural gas, propane butane

**15. Protection of controls:**

IPX5

**16. Device color:**

Stainless steel

**17. Material:**

Stainless steel

**18. Indicators:**

operation and warm-up

**19. Worktop type:**

Molded - comfortable cleaning maintenance

**20. Grid material:**

Stainless steel

**21. Safety thermocouple:**

Yes

**22. Adjustable feet:**

Yes

**23. Removable device container:**

Yes

**24. Removable rim:**

Yes

**25. Removable grid:**

Yes

**26. Grid size [mm x mm]:**

380 x 660

**27. Uniform heating:**

Yes