

Technical data sheet



Product features

Model	SAP Code	00110098
SP 70/40 E	A group of articles - web	Stoves



- Device type: Electric unit
- Power consumption of the zone 1 [kW]: 2x hotplates
2.6 kW ø 220 mm
- Power consumption of the zone 2 [kW]: 2,6
- Protection of controls: IPX4
- Material: AISI 304 top plate, AISI 430 cladding

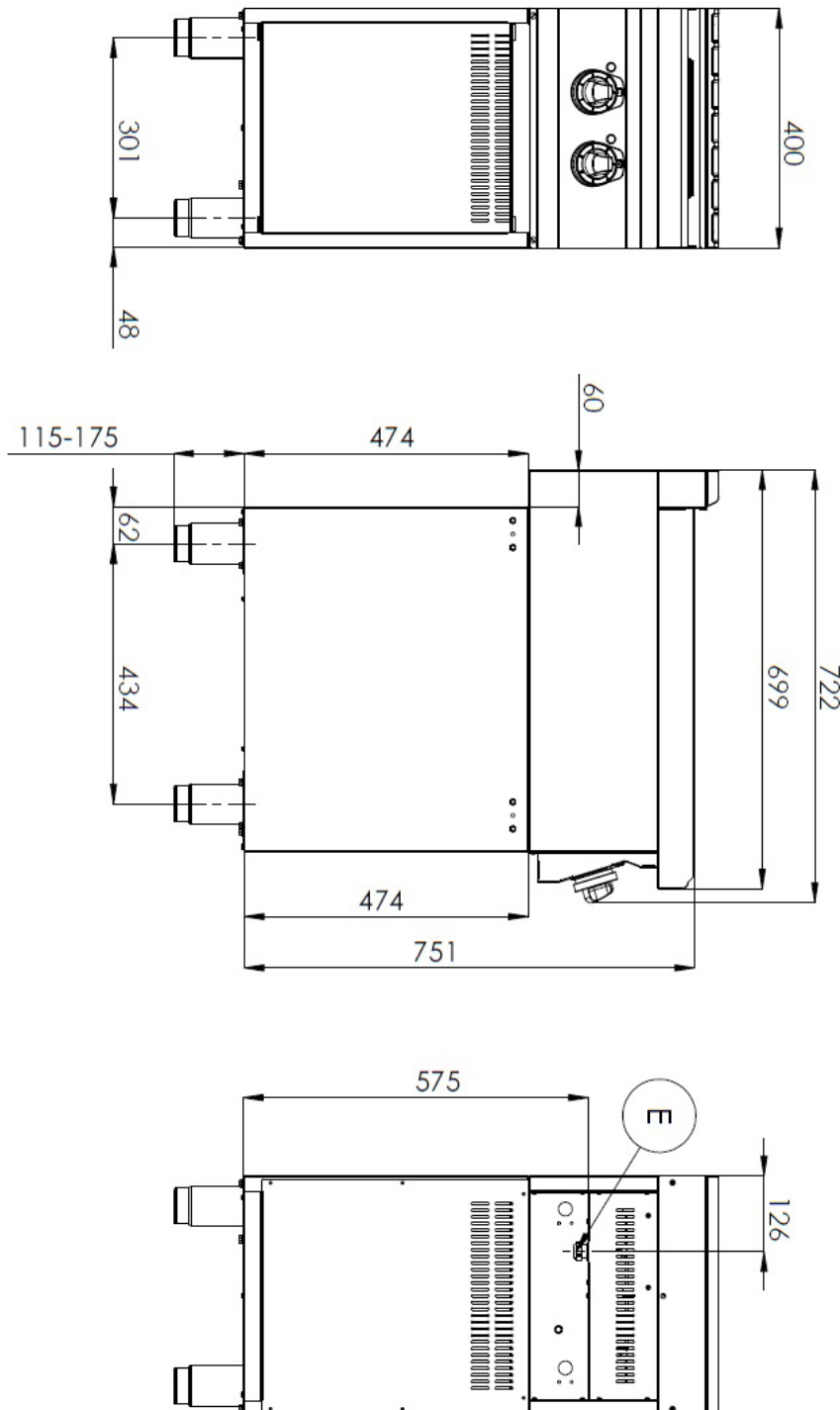
SAP Code	00110098	Loading	400 V / 3N - 50 Hz
Net Width [mm]	400	Number of zones	2
Net Depth [mm]	700	Power consumption of the zone 1 [kW]	2x hotplates 2.6 kW ø 220 mm
Net Height [mm]	900	Power consumption of the zone 2 [kW]	2,6
Net Weight [kg]	32.00	Diameter of device [mm]	220
Power electric [kW]	5.200		

Technical data sheet



Technical drawing

Model	SAP Code	00110098
SP 70/40 E	A group of articles - web	Stoves



Technical data sheet



Product benefits

Model	SAP Code	00110098
SP 70/40 E	A group of articles - web	Stoves

- 1 Round plates**
quick warm-up
efficient cooking on a round surface with easy adhesion to dishes
- time-saving in food preparation
 - easy to use thanks to the large surface area of the cooking plates

- 2 Internal thermostatic plate protection**
longer service life of the plates
- no overheating of the plates and no cracking

- 3 Degree of protection of the control elements IPX4**
maintenance-free system
resistance to splash water
long life
- savings on service interventions
 - easy cleaning and maintenance of equipment

- 4 All-stainless design**
long life
resistance of a ground steel plate with a thickness of 10 mm
- savings on service interventions
 - higher corrosion resistance

- 5 Hygienic moldings of the top plate**
absence of sharp corners and edges (potential places where dirt could stick)
smooth transitions
- easy quick cleaning

- 6 Variability**
the possibility of adding to the current line
easy possibility of creating one module
long life
- cost saving
 - space saving
 - long service life

Technical data sheet



Technical parameters

Model	SAP Code	00110098
SP 70/40 E	A group of articles - web	Stoves

1. SAP Code:

00110098

2. Article group:

RF-Line 700

3. Net Width [mm]:

400

4. Net Depth [mm]:

700

5. Net Height [mm]:

900

6. Net Weight [kg]:

32.00

7. Gross Width [mm]:

440

8. Gross depth [mm]:

800

9. Gross Height [mm]:

975

10. Gross Weight [kg]:

40.00

11. Device type:

Electric unit

12. Construction type of device:

With substructure

13. Power electric [kW]:

5.200

14. Loading:

400 V / 3N - 50 Hz

15. Protection of controls:

IPX4

16. Material:

AISI 304 top plate, AISI 430 cladding

17. Worktop type:

Molded - comfortable cleaning maintenance

18. Worktop material:

AISI 304

19. Worktop Thickness [mm]:

1.20

20. Number of zones:

2

21. Power consumption of the zone 1 [kW]:

2x hotplates 2.6 kW ø 220 mm

22. Power consumption of the zone 2 [kW]:

2,6

23. Number of power control stages:

6

24. Service accessibility:

Trough the frontal panel

25. Safety element:

internal thermostatic protection of the hotplate against overheating

26. Adjustable feet:

Yes

27. Number of burners/hot plates:

2

28. Diameter of device [mm]:

220

29. Type of electric cooking zones:

Oval