

# Technical data sheet

Product features



**Open stand**

**Model**

**SAP Code**

00008185



– Material: AISI 304

# Technical data sheet

Technical drawing

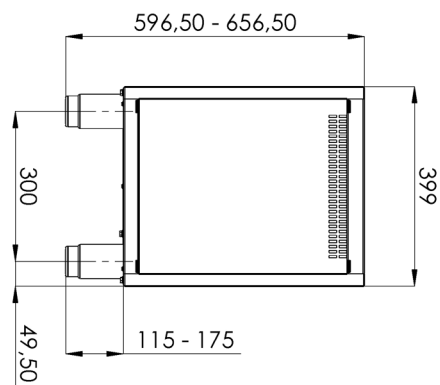
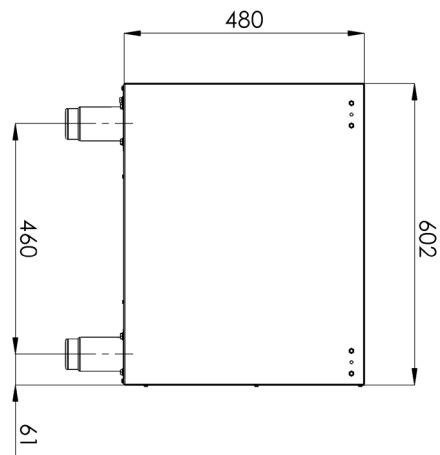


Open stand

Model

SAP Code

00008185



# Technical data sheet

Technical parameters



## Open stand

**Model**

**SAP Code**

00008185

**1. SAP Code:**

00008185

**7. Gross Width [mm]:**

440

**2. Article group:**

Sale

**8. Gross depth [mm]:**

800

**3. Net Width [mm]:**

400

**9. Gross Height [mm]:**

1080

**4. Net Depth [mm]:**

730

**10. Gross Weight [kg]:**

18.50

**5. Net Height [mm]:**

600

**11. Material:**

AISI 304

**6. Net Weight [kg]:**

15.20