

Technical data sheet

Product features



Worktop 40x83 - 1x drawer 2x GN 1/1

Model

SAP Code

00012261

– Material: AISI 304



Technical data sheet

Technical drawing

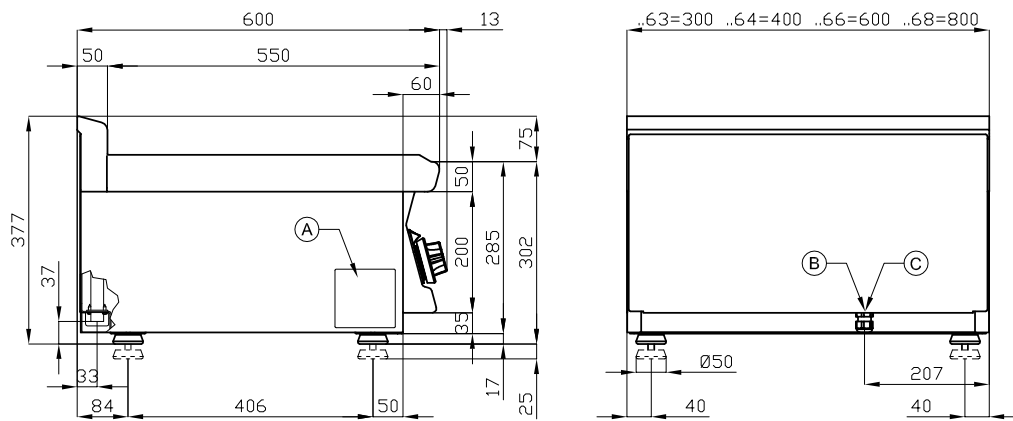


Worktop 40x83 - 1x drawer 2x GN 1/1

Model

SAP Code

00012261



A	Data plate			
---	------------	--	--	--

Technical data sheet

Technical parameters



Worktop 40x83 - 1x drawer 2x GN 1/1

Model

SAP Code

00012261

1. SAP Code:

00012261

6. Gross Width [mm]:

400

2. Net Width [mm]:

400

7. Gross depth [mm]:

900

3. Net Depth [mm]:

900

8. Gross Height [mm]:

30

4. Net Height [mm]:

280

9. Gross Weight [kg]:

30.00

5. Net Weight [kg]:

28.00

10. Material:

AISI 304