

# Technical data sheet

## Product features



### Boiling kettle electric indirect 150 l

<b>Model</b>	<b>SAP Code</b>	00006177
--------------	-----------------	----------



- Device type: Electric unit
- Device heating type: Indirect
- Steam pressure regulation: Automatic - the pressure switch regulates the performance of the device
- Filling: Semi-automatic
- Jacket filling: Semi-automatic
- Drain: Yes
- Drain valve diameter: 2"
- Basin dimensions [mm x mm x mm]: 600 x 540
- Basin volume [l]: 150
- Usable volume [l]: 150

<b>SAP Code</b>	00006177	<b>Basin volume [l]</b>	150
<b>Net Width [mm]</b>	800	<b>Usable volume [l]</b>	150
<b>Net Height [mm]</b>	1067	<b>Basin dimensions [mm x mm x mm]</b>	600 x 540
<b>Net Weight [kg]</b>	140.00	<b>Device heating type</b>	Indirect
<b>Power electric [kW]</b>	21.000	<b>Steam pressure regulation</b>	Automatic - the pressure switch regulates the performance of the device
<b>Loading</b>	400 V / 3N - 50 Hz		

# Technical data sheet

Technical drawing

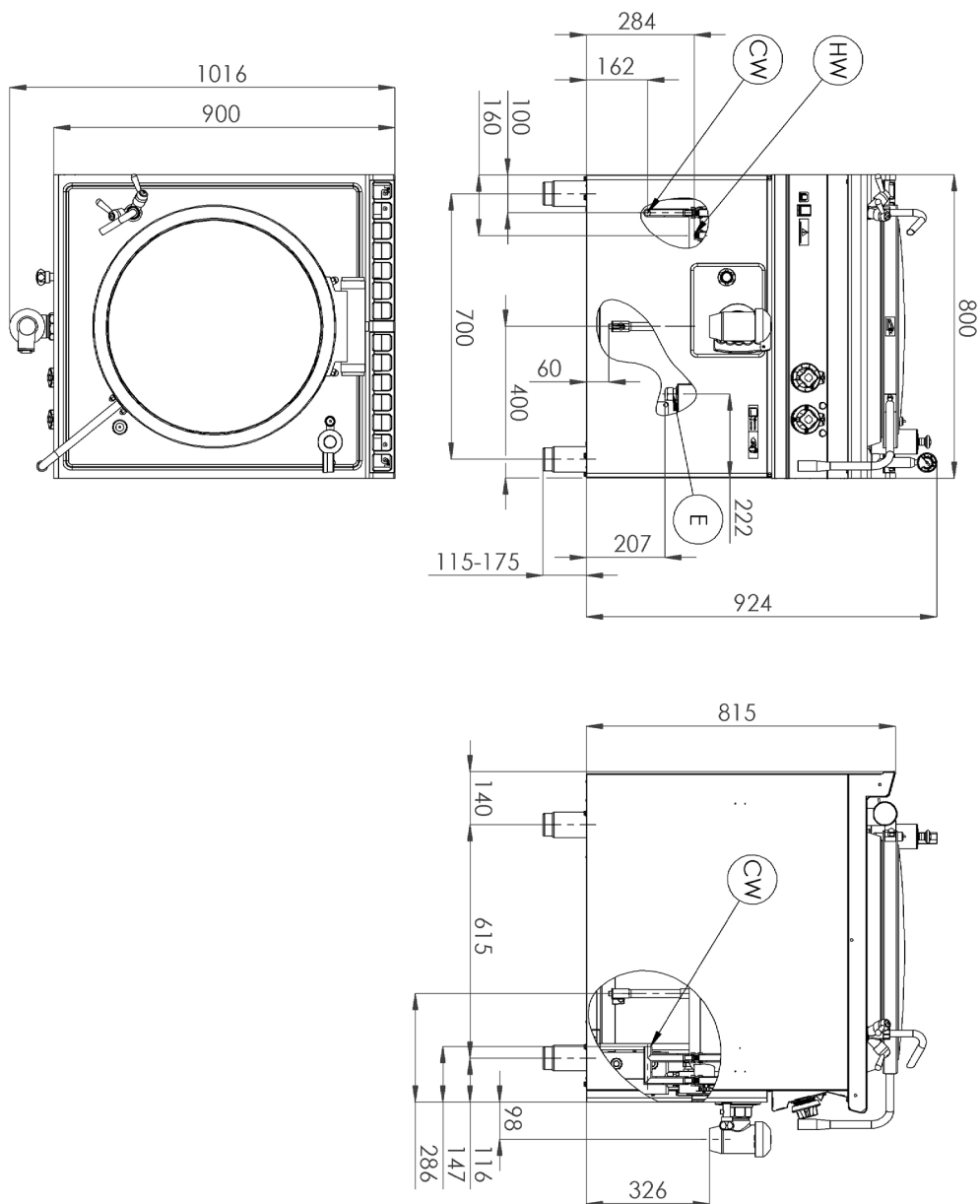


## Boiling kettle electric indirect 150 l

Model

SAP Code

00006177



# Technical data sheet

## Product benefits



### Boiling kettle electric indirect 150 l

Model

SAP Code

00006177

1

#### Semi-automatic tolerance

maintenance-free system  
equipped with a spring for convenient tilting  
long life

- savings on service interventions
- easier and faster operation

2

#### Degree of protection of the control elements IPX4

maintenance-free system  
resistance to splash water  
long life

- savings on service interventions
- easy cleaning and maintenance of equipment

3

#### Smart handle

protection against scalding when lifting the lid  
easy handling to operate at any height

- high security
- fewer health problems caused by poor ergonomics

4

#### Duplicator bottom AISI 316

long service life even in an aggressive salty environment

- savings on service interventions
- avoidance of losses due to interruptions in plant operation

5

#### All-stainless design including bottom

long service life even in an aggressive salty environment

- savings on service interventions
- easy cleaning and maintenance of equipment

6

#### Upper hygienic molding with an opening for the drainage of excess contents

spilled or overflowing liquids around the boiler neck can drain into the waste

- easier to keep the workplace clean
- easier to maintain hygiene standards
- easier cleaning of the boiler surface

# Technical data sheet

## Technical parameters



### Boiling kettle electric indirect 150 l

**Model**

**SAP Code**

00006177

**1. SAP Code:**

00006177

**2. Net Width [mm]:**

800

**3. Net Height [mm]:**

1067

**4. Net Weight [kg]:**

140.00

**5. Gross Width [mm]:**

970

**6. Gross depth [mm]:**

840

**7. Gross Height [mm]:**

1170

**8. Gross Weight [kg]:**

150.00

**9. Device type:**

Electric unit

**10. Construction type of device:**

Stationary

**11. Power electric [kW]:**

21.000

**12. Loading:**

400 V / 3N - 50 Hz

**13. Protection of controls:**

IPX4

**14. Device color:**

Stainless steel

**15. Material:**

AISI 304

**16. Indicators:**

operation and warm-up

**17. Drain valve diameter:**

2"

**18. Worktop type:**

Molded - comfortable cleaning maintenance

**19. Device heating type:**

Indirect

**20. Basin volume [l]:**

150

**21. Basin dimensions [mm x mm x mm]:**

600 x 540

**22. Safety thermostat:**

Yes

**23. Adjustable feet:**

Yes

**24. Bottom material:**

AISI 316

**25. Usable volume [l]:**

150

**26. Filling:**

Semi-automatic

**27. Jacket filling:**

Semi-automatic

**28. Steam pressure regulation:**

Automatic - the pressure switch regulates the performance of the device

# Technical data sheet

Technical parameters



## Boiling kettle electric indirect 150 l

**Model**

**SAP Code**

00006177

**29. Type of drain valve:**

conical

**32. Water filling type:**

Cold

**30. Overflow:**

Yes

**33. Drain:**

Yes

**31. Manometer:**

Yes