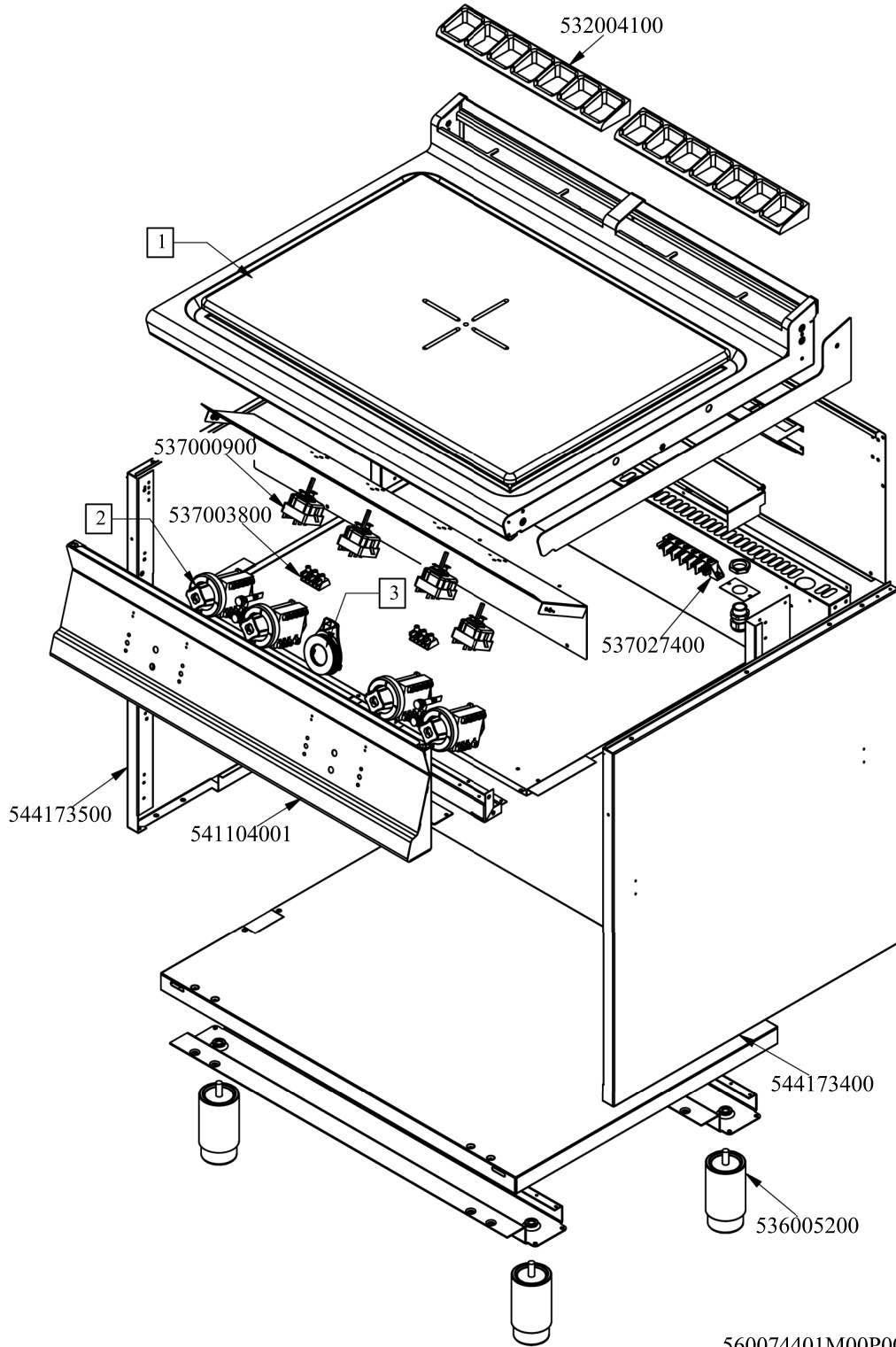
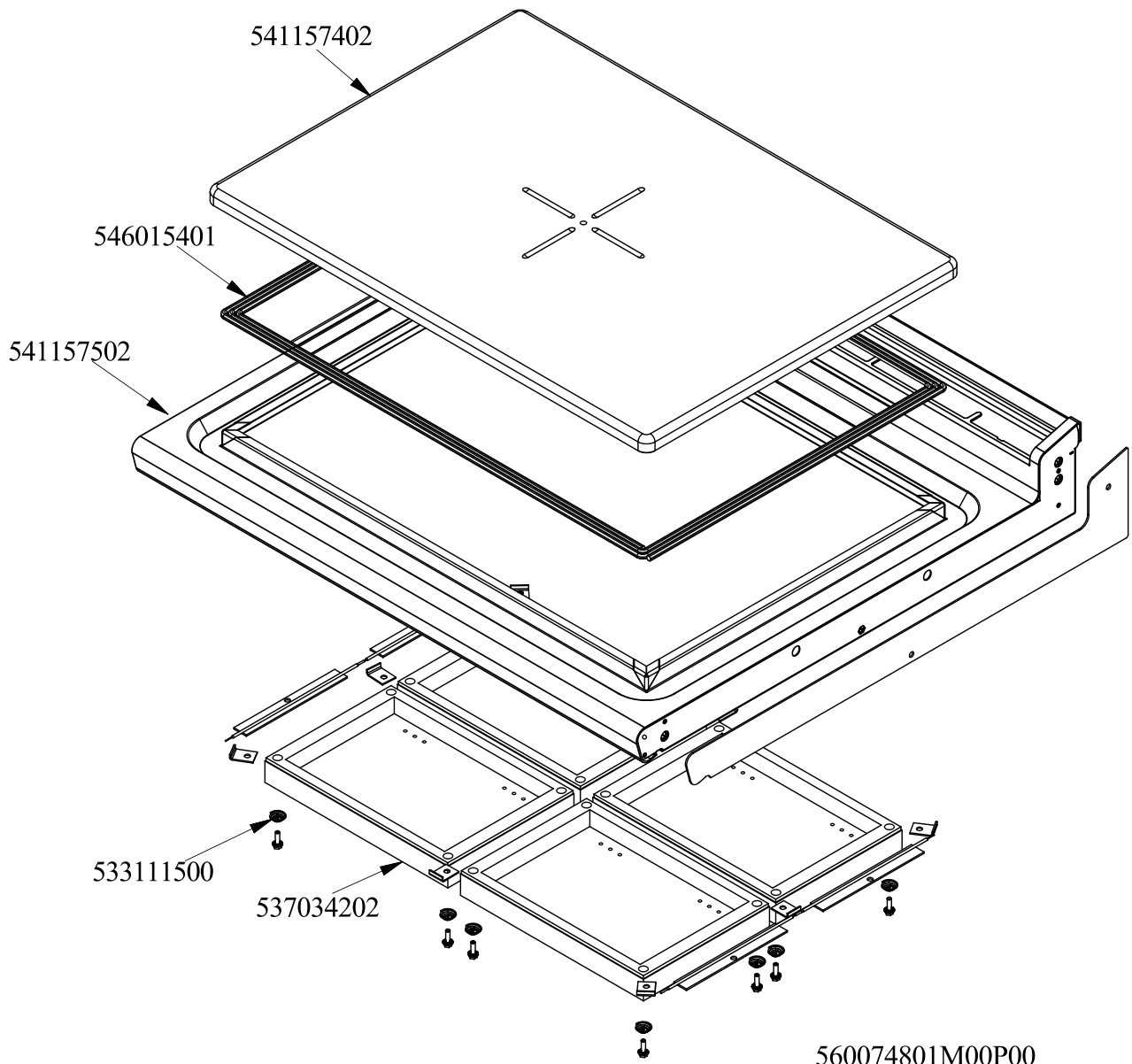


RM 700
 Platný od 1.5. 2019
 TP-78ET



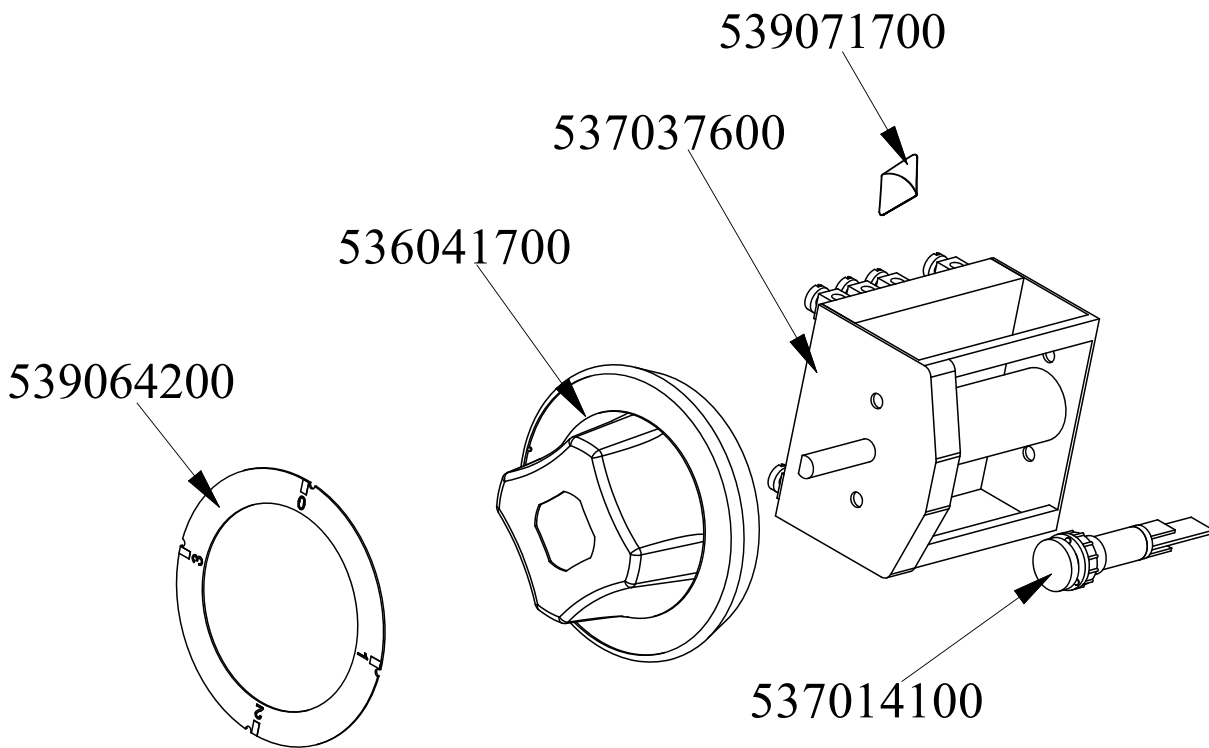


Objednáací kód	Popis v ENG
537003800	TERMINAL BLOCK 3POLES 16A
537000900	THERMOSTAT 063-320°C THREEPHASE
537027400	TERMINAL BLOCK THREEPHASE 40A
532004100	FLUE GRID L=370 90LINE (RAF)
544173400	RIGHT SIDE PANEL S.70
536005200	INOX LEG 2" 120-180 M10
541104001	FRONTAL PANEL * S607090 PC-9 8E
544173500	LEFT SIDE PANEL S.70
-	-
-	-
-	-





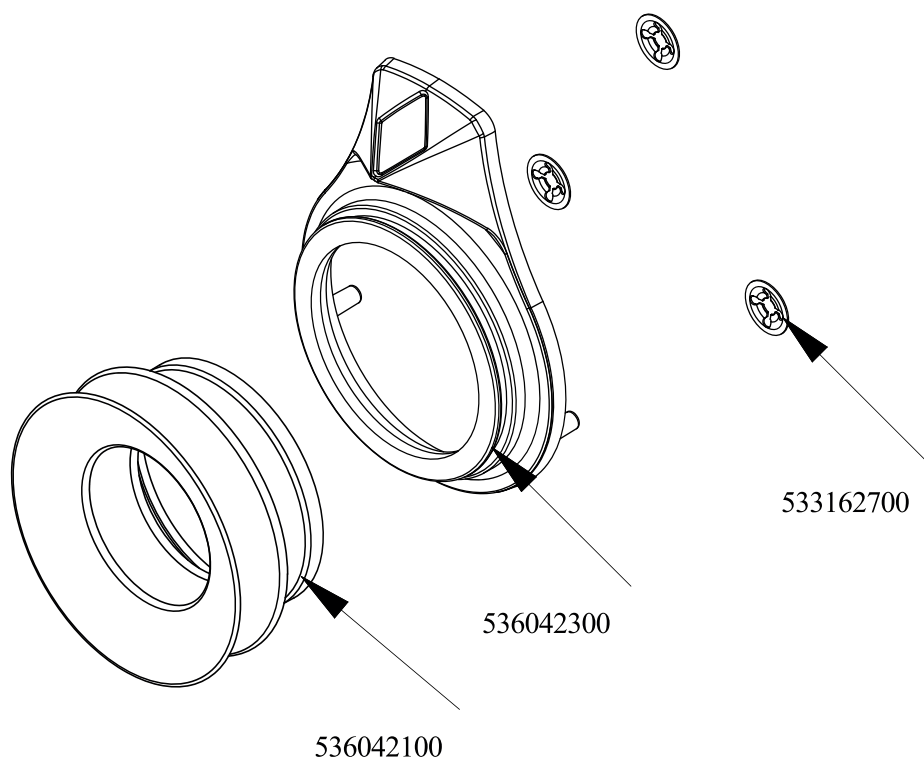
Objednací kód	Popis v ENG
546015401	SQUARE PLAIT L.C.06X06 L6750
541157502	
533111500	COIL SPRING INTØ7X18XØFILO1 H=10
541157402	PLATE S70 TP-78E
537034202	HEATING ELEM.250X295 2500W 230V3



560100801M00P00



Objednačí kód	Popis v ENG
537014100	WHITE WARNING LIGHT 250V
536041700	SILVER CHROM. KNOB Ø77 4P.G.Ø06X4,6
539064200	BLACK ADESIVE DISK FOR CPT-ET
539071700	ADHES.LABEL FOR RING GREEN SIGN.
537037600	COMMUTATOR 4 POS.3PHASE S.43 32A



560125700M00P00



Objednačí kód	Popis v ENG
536042300	SILVER CHROM. RING FOR KNOB Ø77 4 P
536042100	SEAL CASING FOR KNOB Ø77 4 P
533162700	PROCESSING CODE