

Technical data sheet

Product features



Cooking range electric 6 zones

Model	SAP Code	00013602
--------------	-----------------	----------



- Device type: Electric unit
- Power consumption of the zone 1 [kW]: 3,5
- Power consumption of the zone 2 [kW]: 3,5
- Power consumption of the zone 3 [kW]: 3,5
- Power consumption of the zone 4 [kW]: 3,5
- Power consumption of the zone 5 [kW]: 3,5
- Power consumption of the zone 6 [kW]: 3,5
- Material: AISI 304

SAP Code	00013602	Power consumption of the zone 1 [kW]	3,5
Net Width [mm]	1200	Power consumption of the zone 2 [kW]	3,5
Net Depth [mm]	900	Power consumption of the zone 3 [kW]	3,5
Net Height [mm]	280	Power consumption of the zone 4 [kW]	3,5
Net Weight [kg]	84.00	Power consumption of the zone 5 [kW]	3,5
Power electric [kW]	21.000	Power consumption of the zone 6 [kW]	3,5
Loading	400 V / 3N - 50 Hz	Diameter of device [mm]	300
Number of zones	6		

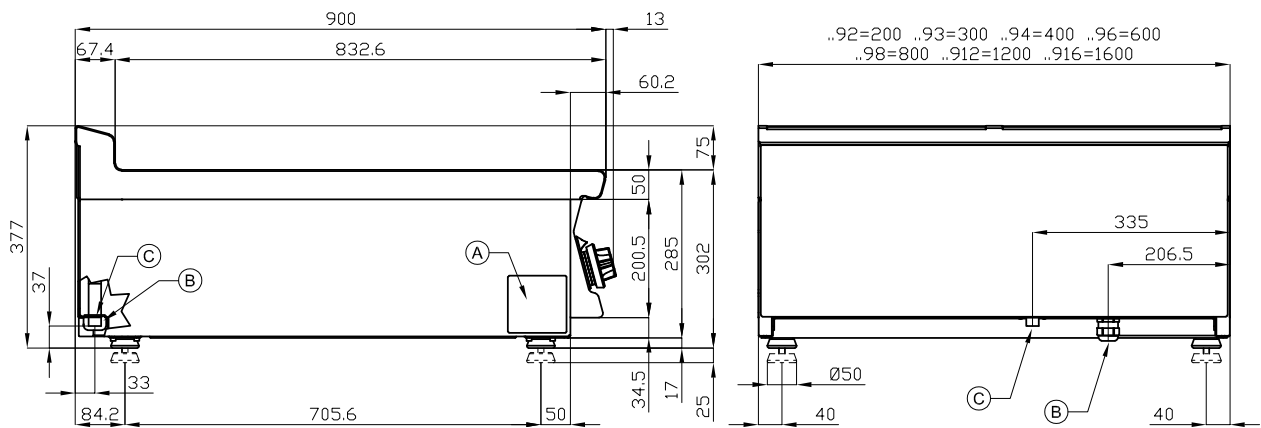
Technical data sheet

Technical drawing



Cooking range electric 6 zones

Model	SAP Code	00013602
--------------	-----------------	----------



A	Data plate		B	Electrical connection	
---	------------	--	---	-----------------------	--

Technical data sheet

Technical parameters



Cooking range electric 6 zones

Model

SAP Code

00013602

1. SAP Code:

00013602

2. Net Width [mm]:

1200

3. Net Depth [mm]:

900

4. Net Height [mm]:

280

5. Net Weight [kg]:

84.00

6. Gross Width [mm]:

1230

7. Gross depth [mm]:

970

8. Gross Height [mm]:

540

9. Gross Weight [kg]:

94.00

10. Device type:

Electric unit

11. Construction type of device:

Table top

12. Power electric [kW]:

21.000

13. Loading:

400 V / 3N - 50 Hz

14. Device color:

Stainless steel

15. Material:

AISI 304

16. Worktop type:

Molded - comfortable cleaning maintenance

17. Worktop material:

AISI 304

18. Worktop Thickness [mm]:

2.00

19. Number of zones:

6

20. Power consumption of the zone 1 [kW]:

3,5

21. Power consumption of the zone 2 [kW]:

3,5

22. Power consumption of the zone 3 [kW]:

3,5

23. Power consumption of the zone 4 [kW]:

3,5

24. Power consumption of the zone 5 [kW]:

3,5

25. Power consumption of the zone 6 [kW]:

3,5

26. Maximum device temperature [°C]:

300

27. Minimum device temperature [°C]:

50

28. Number of power control stages:

7

Technical data sheet

Technical parameters



Cooking range electric 6 zones

Model

SAP Code

00013602

29. Service accessibility:

From the front by removing the front panel and waste fluid containers

32. Number of burners/hot plates:

6

30. Safety element:

internal thermostatic protection of the hotplate against overheating

33. Diameter of device [mm]:

300

31. Adjustable feet:

Yes

34. Type of electric cooking zones:

Oval