

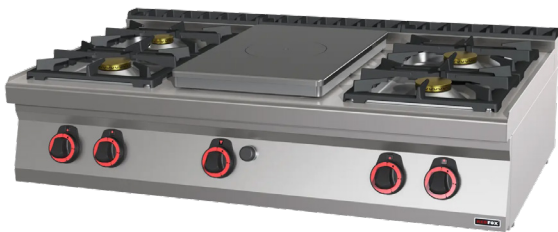
Technical data sheet



Product features

Cooking range solid top gas 5x burner without cabinet

Model	SAP Code	00018739
--------------	-----------------	----------



- Device type: Gas unit
- Power consumption of the zone 1 [kW]: 4
- Power consumption of the zone 2 [kW]: 8,5
- Power consumption of the zone 3 [kW]: 8,5
- Power consumption of the zone 4 [kW]: 8,5
- Power consumption of the zone 5 [kW]: 6,6
- Ignition: Piezo
- Protection of controls: IPX4
- Material: Stainless steel

SAP Code	00018739	Number of zones	5
Net Width [mm]	1200	Power consumption of the zone 1 [kW]	4
Net Depth [mm]	700	Power consumption of the zone 2 [kW]	8,5
Net Height [mm]	330	Power consumption of the zone 3 [kW]	8,5
Net Weight [kg]	91.00	Power consumption of the zone 4 [kW]	8,5
Power gas [kW]	36.100	Power consumption of the zone 5 [kW]	6,6
Type of gas	Natural gas, propane butane		

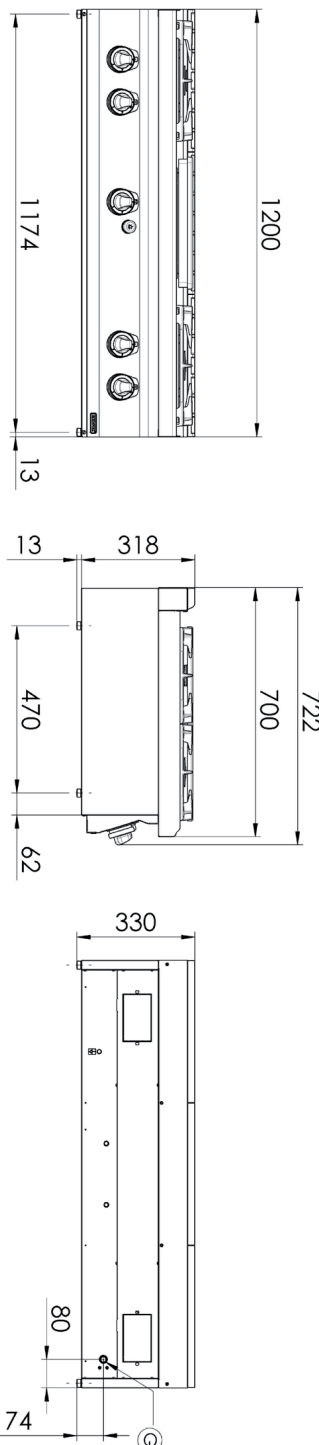
Technical data sheet



Technical drawing

Cooking range solid top gas 5x burner without cabinet

Model	SAP Code	00018739
--------------	-----------------	----------



Technical data sheet



Technical parameters

Cooking range solid top gas 5x burner without cabinet

Model	SAP Code	00018739
--------------	-----------------	----------

1. SAP Code:

00018739

2. Article group:

Stoves

3. Net Width [mm]:

1200

4. Net Depth [mm]:

700

5. Net Height [mm]:

330

6. Net Weight [kg]:

91.00

7. Gross Width [mm]:

1254

8. Gross depth [mm]:

820

9. Gross Height [mm]:

494

10. Gross Weight [kg]:

106.00

11. Device type:

Gas unit

12. Construction type of device:

Table top

13. Power gas [kW]:

36.100

14. Ignition:

Piezo

15. Type of gas:

Natural gas, propane butane

16. Protection of controls:

IPX4

17. Material:

Stainless steel

18. Indicators:

operation and warm-up

19. Worktop material:

AISI 304

20. Worktop Thickness [mm]:

1.20

21. Number of zones:

5

22. Power consumption of the zone 1 [kW]:

4

23. Power consumption of the zone 2 [kW]:

8,5

24. Power consumption of the zone 3 [kW]:

8,5

25. Power consumption of the zone 4 [kW]:

8,5

26. Power consumption of the zone 5 [kW]:

6,6

27. Number of power control stages:

6

28. Safety thermocouple:

Yes

Technical data sheet



Technical parameters

Cooking range solid top gas 5x burner without cabinet

Model	SAP Code	00018739
--------------	-----------------	----------

29. Number of burners/hot plates:

5

31. Burner type:

Brass, detachable

30. Type of gas cooking zones:

Fire protection to install + Classic burners