

Technical data sheet

Product features



Boiling kettle gas indirect 100 l

Model

SAP Code

00006179



- Device type: Gas unit
- Device heating type: Indirect
- Ignition: Electric
- Steam pressure regulation: Automatic - the pressure switch regulates the performance of the device
- Filling: Semi-automatic
- Jacket filling: Semi-automatic
- Drain: Yes
- Drain valve diameter: 2"
- Basin dimensions [mm x mm x mm]: 600 x 420
- Basin volume [l]: 100
- Usable volume [l]: 100

SAP Code	00006179	Type of gas	Propane butane, natural gas
Net Width [mm]	800	Basin volume [l]	100
Net Height [mm]	1067	Usable volume [l]	100
Net Weight [kg]	135.00	Basin dimensions [mm x mm x mm]	600 x 420
Loading	230 V / 1N - 50 Hz	Device heating type	Indirect
Power gas [kW]	22.500	Steam pressure regulation	Automatic - the pressure switch regulates the performance of the device

Technical data sheet

Technical drawing

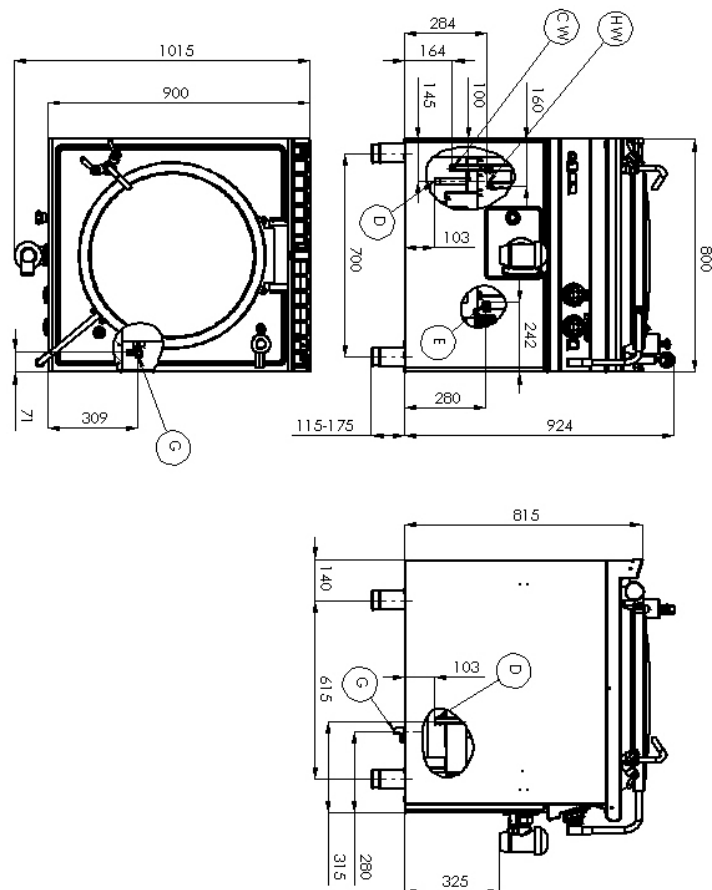


Boiling kettle gas indirect 100 l

Model

SAP Code

00006179



Technical data sheet

Product benefits



Boiling kettle gas indirect 100 l

Model

SAP Code

00006179

1

Safety element – thermocouple

safe service for staff
there is no unnecessary gas leakage
long life

- savings on service interventions
- easier and faster operation

2

Semi-automatic tolerance

maintenance-free system
the absence of a probe that can become calcified
long life

- savings on service interventions
- avoidance of losses due to interruptions in plant operation

3

Degree of protection of the control elements IPX4

maintenance-free system
resistance to splash water
long life

- savings on service interventions
- easy cleaning and maintenance of equipment

4

Smart handle

protection against scalding when lifting the lid
easy handling to operate at any height

- high security
- fewer health problems caused by poor ergonomics

5

Duplicator bottom AISI 316

protection against scalding when lifting the lid
easy handling to operate at any height

- savings on service interventions
- avoidance of losses due to interruptions in plant operation

6

All-stainless design including bottom

the material does not rust, including the bottom
wear resistance of AISI 304 material
long life

- savings on service interventions
- easy cleaning and maintenance of equipment

7

Upper hygienic molding with an opening for the drainage of excess contents

spilled or overflowing liquids around the boiler neck can drain into the waste

- easier to keep the workplace clean
- easier to maintain hygiene standards
- easier cleaning of the boiler surface

Technical data sheet

Technical parameters



Boiling kettle gas indirect 100 l

Model

SAP Code

00006179

1. SAP Code:

00006179

2. Net Width [mm]:

800

3. Net Height [mm]:

1067

4. Net Weight [kg]:

135.00

5. Gross Width [mm]:

970

6. Gross depth [mm]:

840

7. Gross Height [mm]:

1170

8. Gross Weight [kg]:

140.00

9. Device type:

Gas unit

10. Construction type of device:

Stationary

11. Loading:

230 V / 1N - 50 Hz

12. Power gas [kW]:

22.500

13. Ignition:

Electric

14. Type of gas:

Propane butane, natural gas

15. Protection of controls:

IPX4

16. Device color:

Stainless steel

17. Material:

AISI 304

18. Indicators:

operation and warm-up

19. Drain valve diameter:

2"

20. Worktop type:

Molded - comfortable cleaning maintenance

21. Device heating type:

Indirect

22. Basin volume [l]:

100

23. Basin dimensions [mm x mm x mm]:

600 x 420

24. Safety thermocouple:

Yes

25. Adjustable feet:

Yes

26. Bottom material:

AISI 316

27. Usable volume [l]:

100

28. Filling:

Semi-automatic

Technical data sheet

Technical parameters



Boiling kettle gas indirect 100 l

Model

SAP Code

00006179

29. Jacket filling:

Semi-automatic

33. Manometer:

Yes

30. Steam pressure regulation:

Automatic - the pressure switch regulates the performance of the device

34. Water filling type:

Cold

31. Type of drain valve:

conical

35. Drain:

Yes

32. Overflow:

Yes