

Technical data sheet



Product features

Model	SAP Code	00018586
BM 70/40 E	A group of articles - web	Pasta cookers and Bain Marine



- Water inlet: automatic valve operated by button
- Drain type: Trough the cabinet
- Drain: Yes
- Material: AISI 304 top plate, AISI 430 cladding
- Protection of controls: IPX4
- Maximum device temperature [°C]: 90

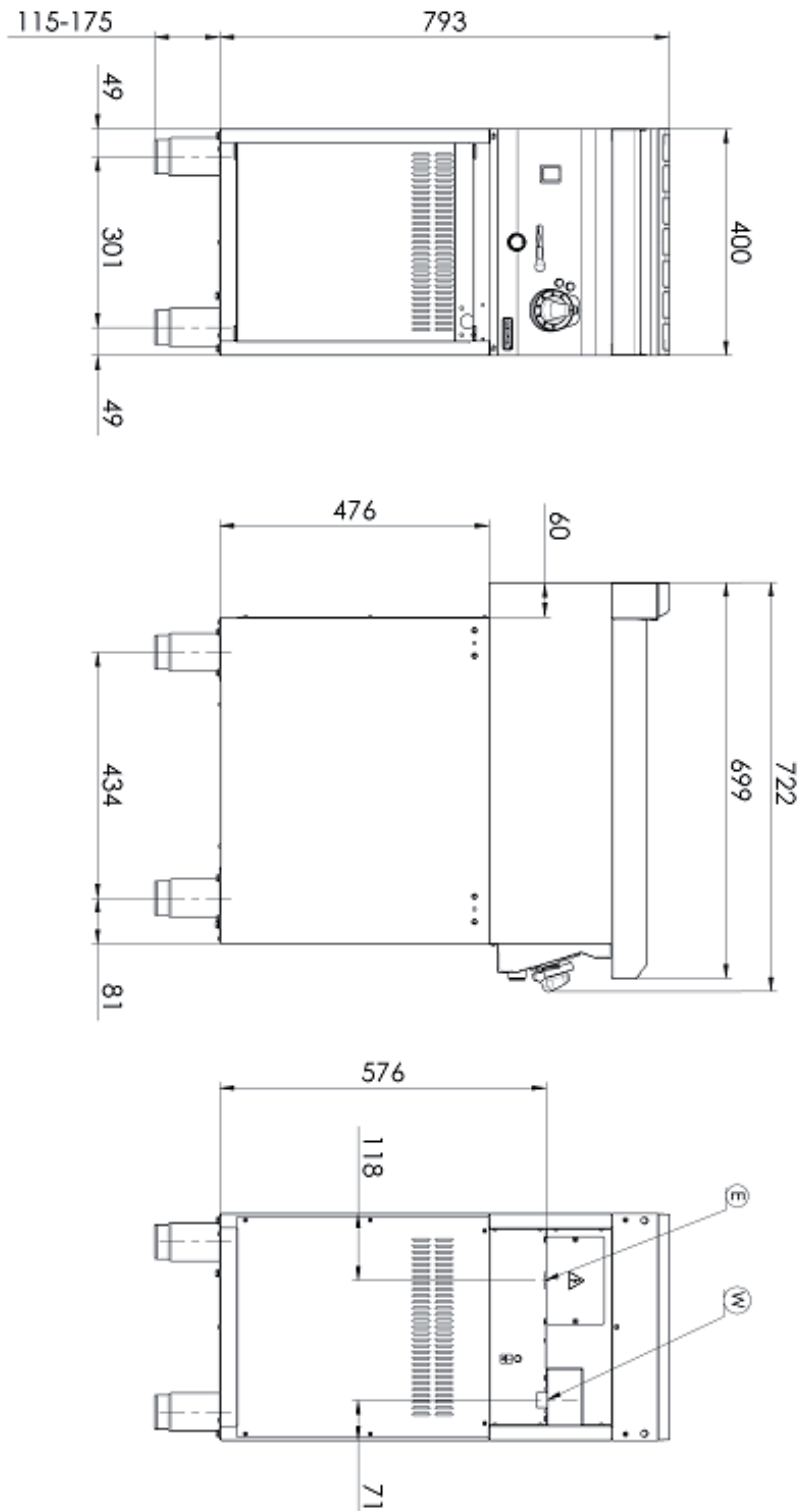
SAP Code	00018586	Power electric [kW]	1.600
Net Width [mm]	400	Loading	230 V / 1N - 50 Hz
Net Depth [mm]	700	Number of GN / EN	1
Net Height [mm]	900	GN / EN size in device	GN 2/1
Net Weight [kg]	26.00	GN device depth	200

Technical data sheet



Technical drawing

Model	SAP Code	00018586
BM 70/40 E	A group of articles - web	Pasta cookers and Bain Marie



Technical data sheet



Technical parameters

Model	SAP Code	00018586
BM 70/40 E	A group of articles - web	Pasta cookers and Bain Marine

1. SAP Code:

00018586

2. Article group:

Bain Maries

3. Net Width [mm]:

400

4. Net Depth [mm]:

700

5. Net Height [mm]:

900

6. Net Weight [kg]:

26.00

7. Gross Width [mm]:

460

8. Gross depth [mm]:

820

9. Gross Height [mm]:

1080

10. Gross Weight [kg]:

34.00

11. Device type:

Electric unit

12. Construction type of device:

With substructure

13. Power electric [kW]:

1.600

14. Loading:

230 V / 1N - 50 Hz

15. Protection of controls:

IPX4

16. Material:

AISI 304 top plate, AISI 430 cladding

17. Indicators:

operation and warm-up

18. Worktop type:

Molded - comfortable cleaning maintenance

19. Worktop material:

AISI 304

20. Worktop Thickness [mm]:

1.20

21. Maximum device temperature [°C]:

90

22. Minimum device temperature [°C]:

30

23. Safety element:safety element – thermocouple
outlet safety fuse**24. Adjustable feet:**

Yes

25. Heating element construction:

Heating element under the bottom of the tub

26. Water inlet:

automatic valve operated by button

27. Drain type:

Trough the cabinet

28. Drain:

Yes

29. Number of GN / EN:

1

30. GN / EN size in device:

GN 2/1

Technical data sheet



Technical parameters

Model	SAP Code	00018586
BM 70/40 E	A group of articles - web	Pasta cookers and Bain Marine

31. GN device depth:

200