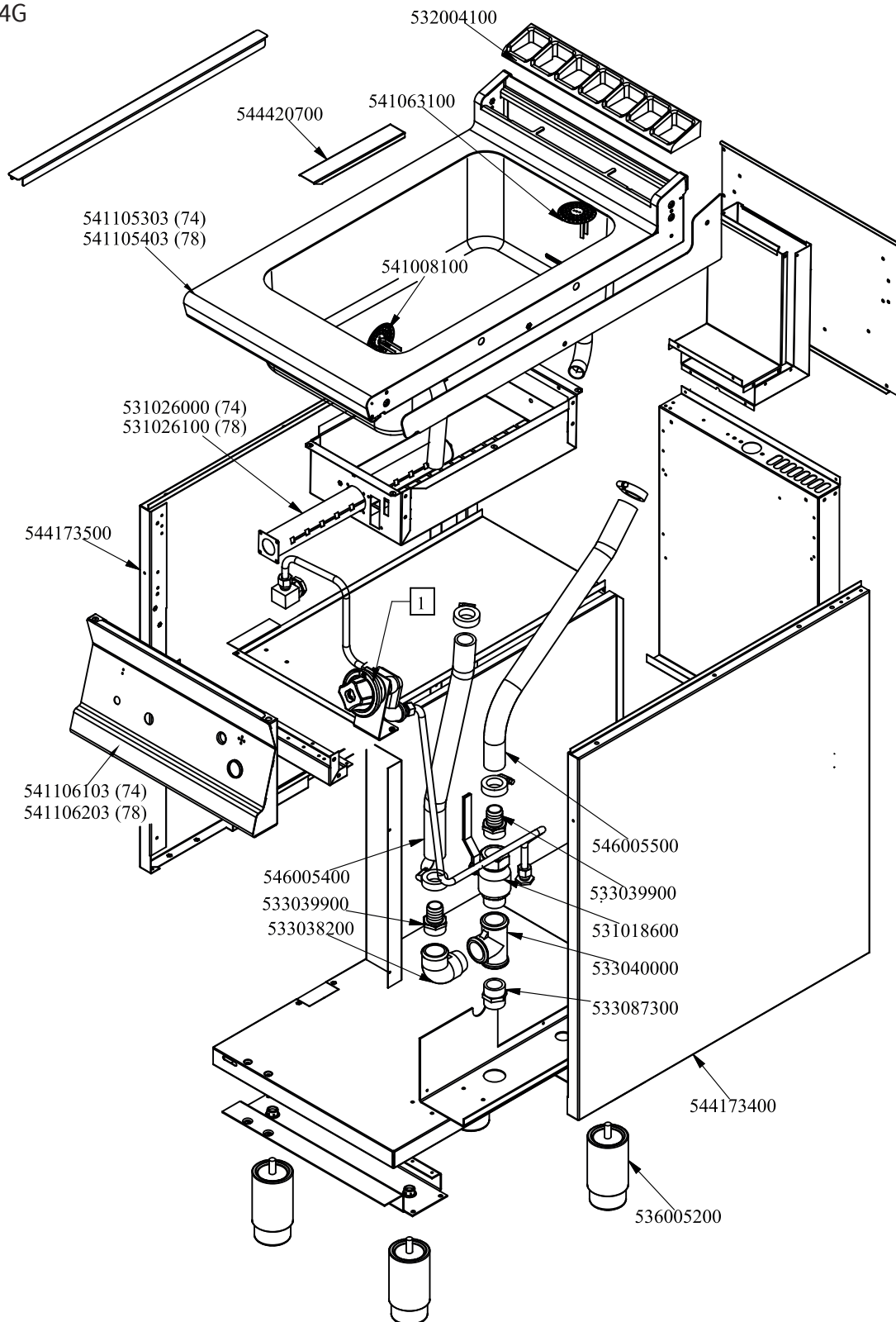




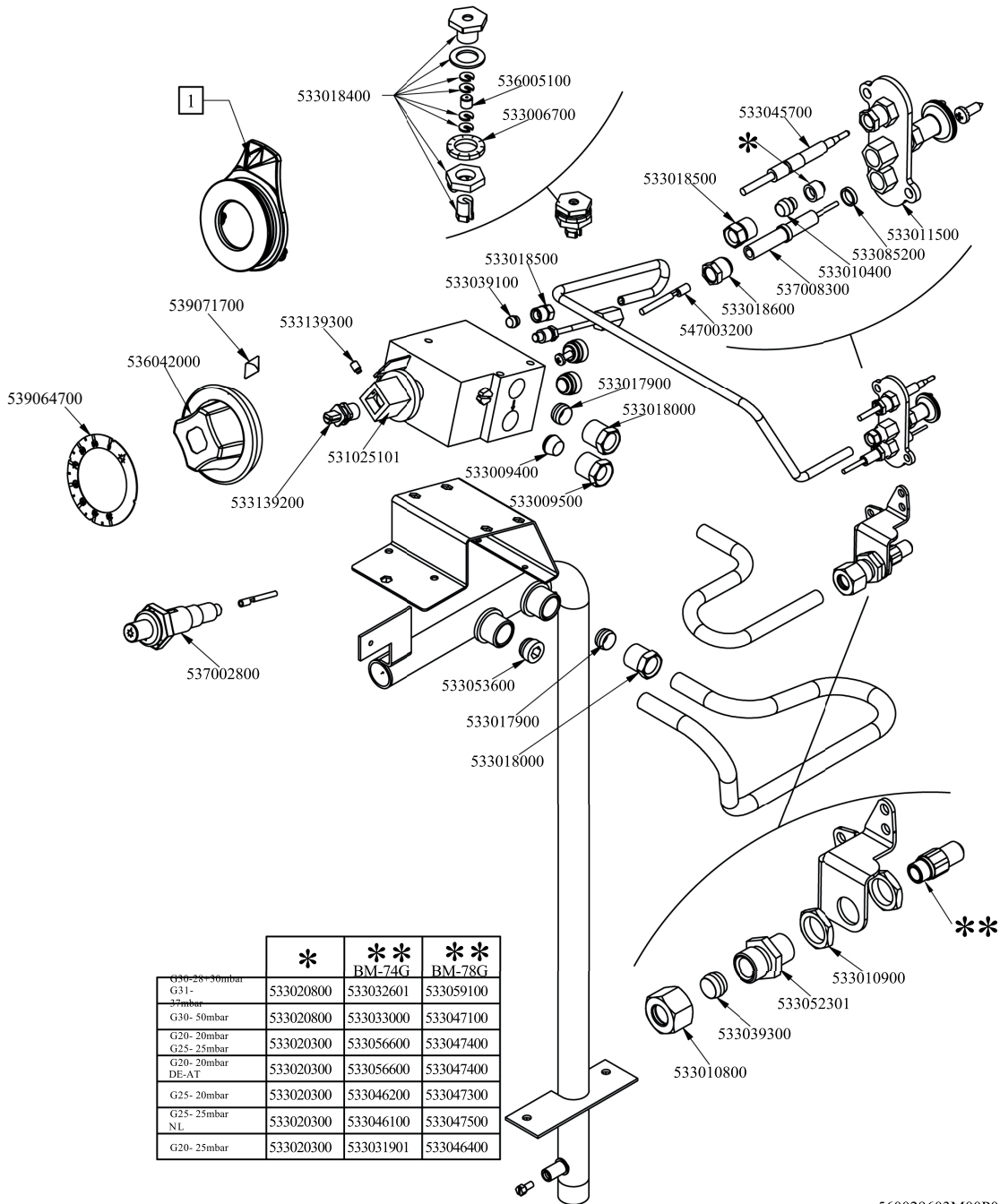
RM 700  
 Platný od 1.5. 2019  
 BM-74G



560010203M00P00

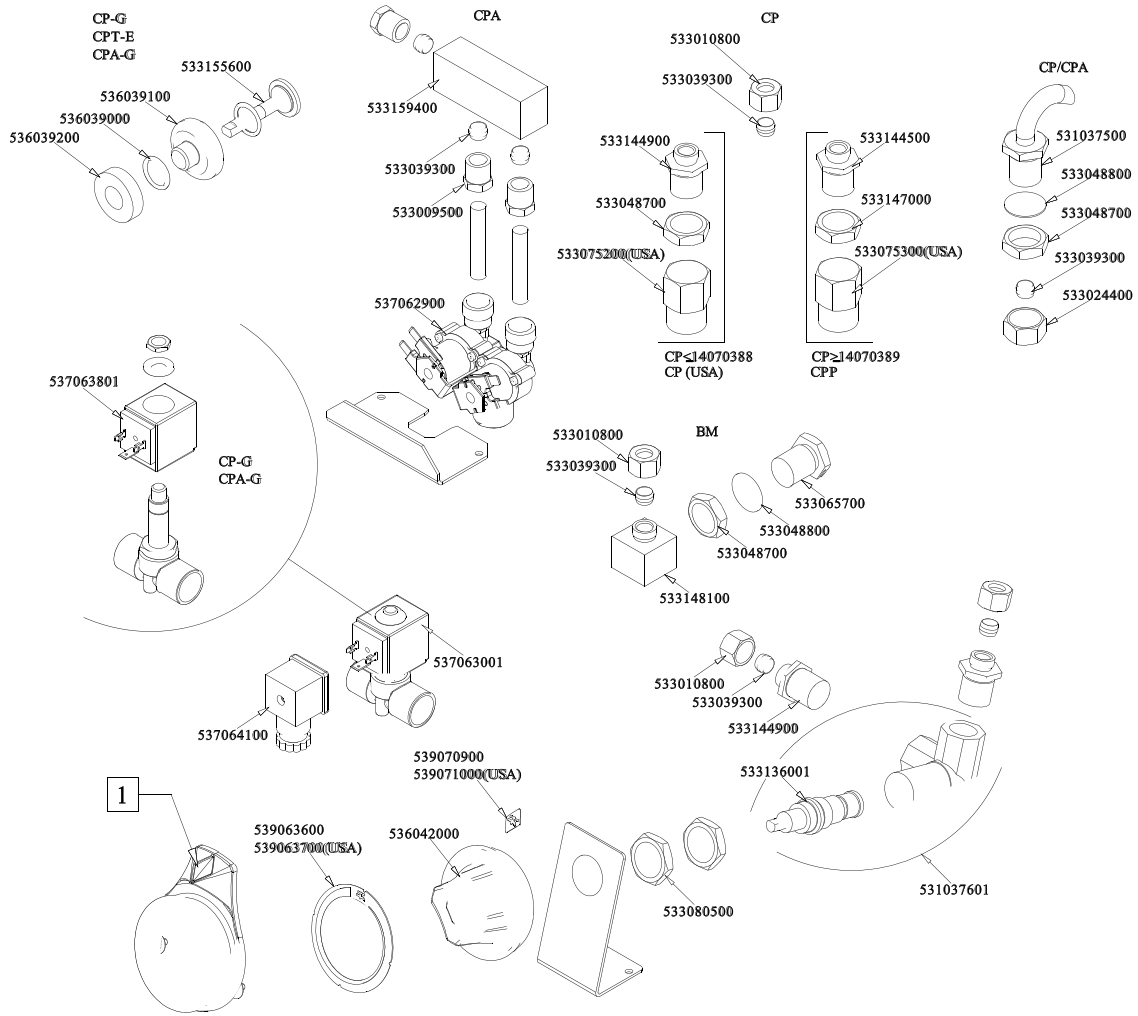


Objednávací kód	Popis v ENG
541105303	UPPER PLATE BM-74G
541105403	UPPER PLATE BM-78G
544173500	LEFT SIDE PANEL S.70
531026000	BURNER FT-4/6/8G BM-4G
541106103	
541106203	
544173400	RIGHT SIDE PANEL S.70
533038200	1" G M-F ELBOW FITTING
533039900	PIPE HOLDER 1" G M D.24
546005400	RUBBER TUBE §25INT.*§33EXT.*L=470
531018600	BALL VALVE 1"G M-F CPM-62G
533040000	1"G F-F-F "T" FITTING
533087300	HEXAGONAL BICONE 1G
546005500	RUBBER TUBE §25INT.*§33EXT.XL=660
544420700	
541063100	TANK DRAIN FILTER BS-4EM/CPM
531026100	BURNER BM-6/8G
536005200	INOX LEG 2" 120-180 M10
532004100	FLUE GRID L=370 90LINE (RAF)
541008100	DRAIN FILTER TANK CP 700LINE
-	-

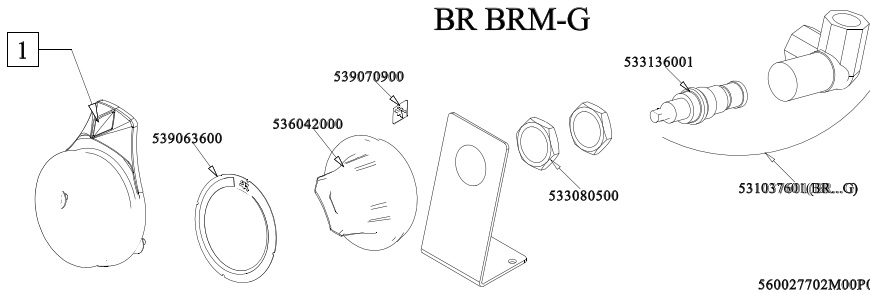




Objednávací kód	Popis v ENG
533017900	BICONE D.12
533018000	ELBOW FOR BICONE D.12 3/8 RS L20
533018400	THREADED FITTING
533018500	FITTING FOR BICONE D.6 M10*1
533045700	THERMOCOUPLE M9*1 500
547003200	HIGH-VOLTAGE CABLE TUBE.§2 L=500
533018600	PLUG FITTING
537008300	ROUND PLUG §2,4- LONG ELECTRODE
533010400	BICONE D.6
533085200	SPACER FOR PILOT PLUG
533011500	PILOT BURNER 2 FLAMES 220
536042000	SILVER CHROM. KNOB Ø77 4P.G.Ø8SX6,5
533039100	BICONE §6
533006700	NOTCHED WASHER D.14
536005100	GRAPHITE §07,4 GASKET
533039300	BICONE §10
533052301	JOINT FOR NOZZLE HOLDER
533010900	NUT M14*1 H.4
533139300	BURNISH HEADLESS SCREW M05*05 PCEI
531025101	EUROSIT VALVE BM 30-100°C
533139200	SHORT PIVOT FOR BRASS KNOB
539064700	BLACK STICKING DISK 72 (030,090°)
537002800	PIEZOELECTRIC IGNITION M18 WITH NUT
533053600	EUROSIT VALVE PLUG
533009500	NIPPLE FOR BICONE 10S
533009400	BICONE 10S
533010800	TUBE NUT D.10 M16*1,5
539071700	ADHES.LABEL FOR RING GREEN SIGN.
533020800	NOZZLE 0160-FLUSS. (25)
533020300	NOZZLE 0160 (NATURAL GAS) 1-2 (41)
533032601	NOZZLE §85 CH12X30,0
533033000	NOZZLE §075 CH12X30,0
533056600	NOZZLE §135 CH12*30 M-BM4
533046200	NOZZLE §150 CH12X30 L-BR TP
533046100	NOZZLE §140 CH12X30 MH-BR
533031901	NOZZLE §130 CH12*30 MH-FT34
533059100	NOZZLE §125A CH12*30 G-BM8
533047100	NOZZLE §100A CH12*30 GF-BM6/8
533047400	NOZZLE §195 CH12*30 M-BM8
533047300	NOZZLE §215 CH12*30 L-BM8
533047500	NOZZLE §205 CH12*30 ML-BM-8G
533046400	NOZZLE §185 CH12*30 G-CPM
-	-

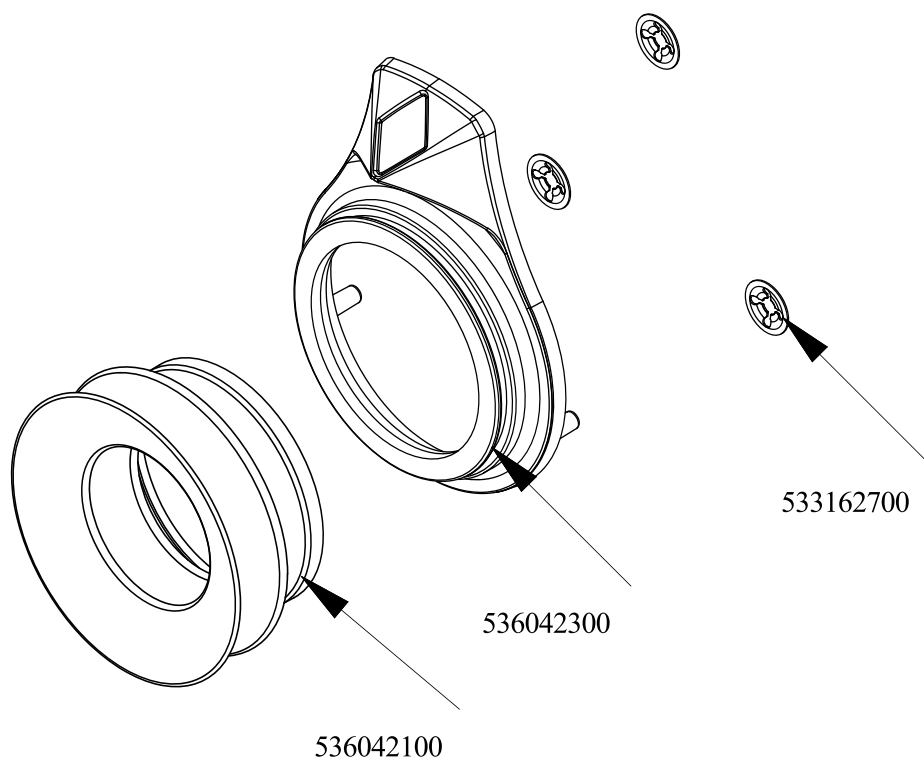


BR BRM-G





Objednávací kód	Popis v ENG
536042000	SILVER CHROM. KNOB Ø77 4P.G.Ø8SX6,5
533136001	SCREW TAP WATER LOAD FOR CP S70/90
531037601	TAP FOR WATER 90°DX CP
539063600	ADHESIVE DISK 72 FOR DRAIN COCK
539070900	ADHES.LABEL FOR RING WATER TAP
531037601	TAP FOR WATER 90°DX CP
533010800	TUBE NUT D.10 M16*1,5
533039300	BICONE §10
533144900	MALE FITTING WATER INLET M16X1,5
539071000	PROCESSING CODE
539063700	ADHESIVE DISK 72 FOR DRAIN COCK USA
533048700	NUT 1/2G ZN
533075200	PROCESSING CODE
533147000	BICONE FITTING 3/4G ZN
533144500	FITTING FOR WATER INPUT 3/4G
533075300	PROCESSING CODE
533080500	PROCESSING CODE
533148100	
533048800	GASKET §30*§21*2 FIBRE
533065700	FITTING FOR WATER INPUT 1/2G
531037500	PROCESSING CODE
533024400	HEXAGONAL NUT 1/2G TUBE D.10
537062900	ELECTRO-VALVE 3/4GM-2Ø10JG 230V RPV
533009500	NIPPLE FOR BICONE 10S
533159400	
536039000	GASKET O-RING 12,42X1,78 SILIC.
536039100	GUIDE FOR WATER SENSOR
533155600	PIVOT SENSOR FOR WATER
536039200	SPACER FOR WATER SENSOR
537064100	CONNECTION * ELECTROVALVE 537063001
537063801	
537063001	ELECTROVALVE G 1/2 230V
-	-



560125700M00P00



Objednávací kód	Popis v ENG
536042300	SILVER CHROM. RING FOR KNOB Ø77 4 P
536042100	SEAL CASING FOR KNOB Ø77 4 P
533162700	PROCESSING CODE

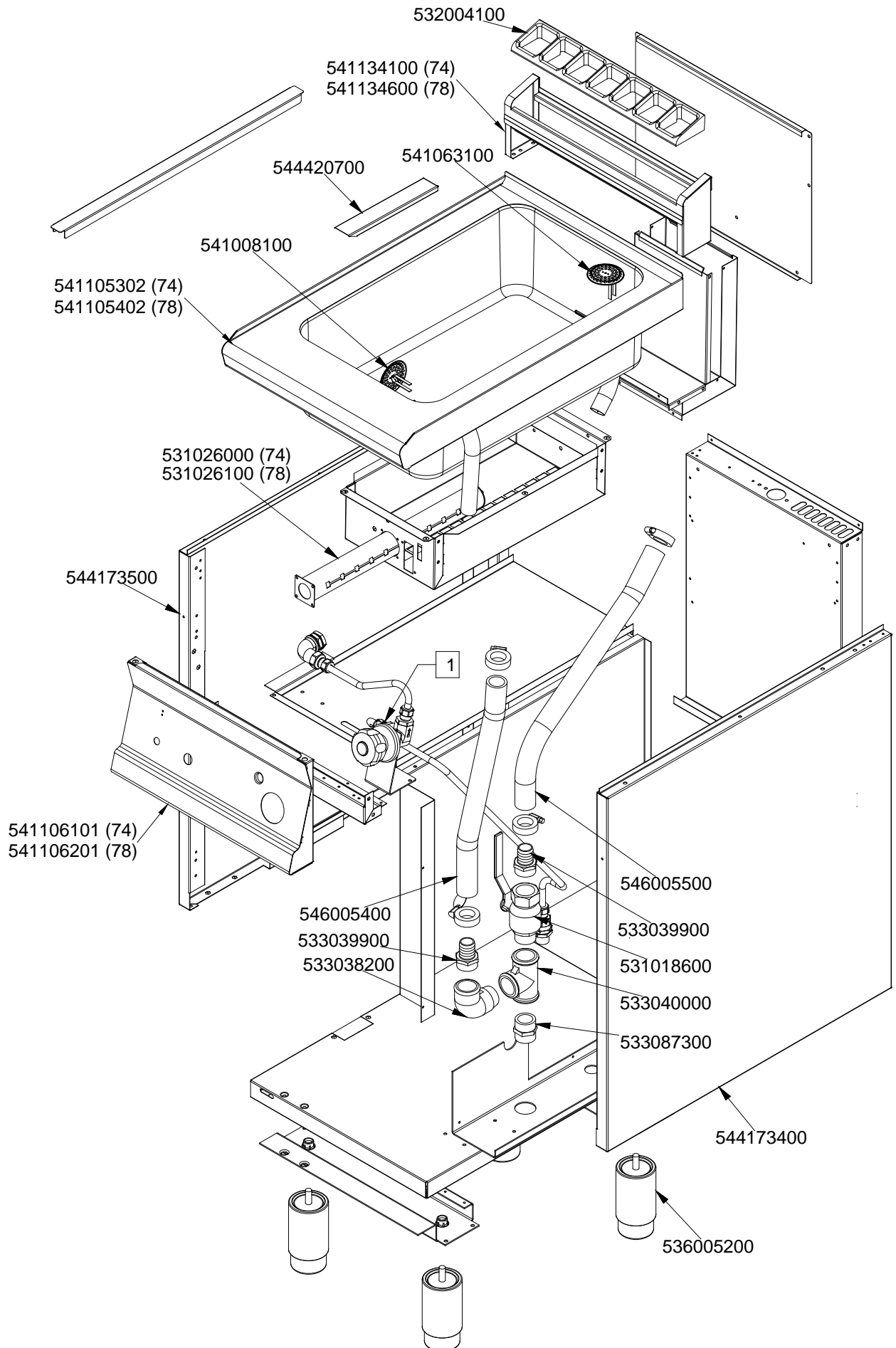




BM - 74 G, BM - 78 G N°≥0706

Platný od 1.5. 2016

do 30.4. 2019

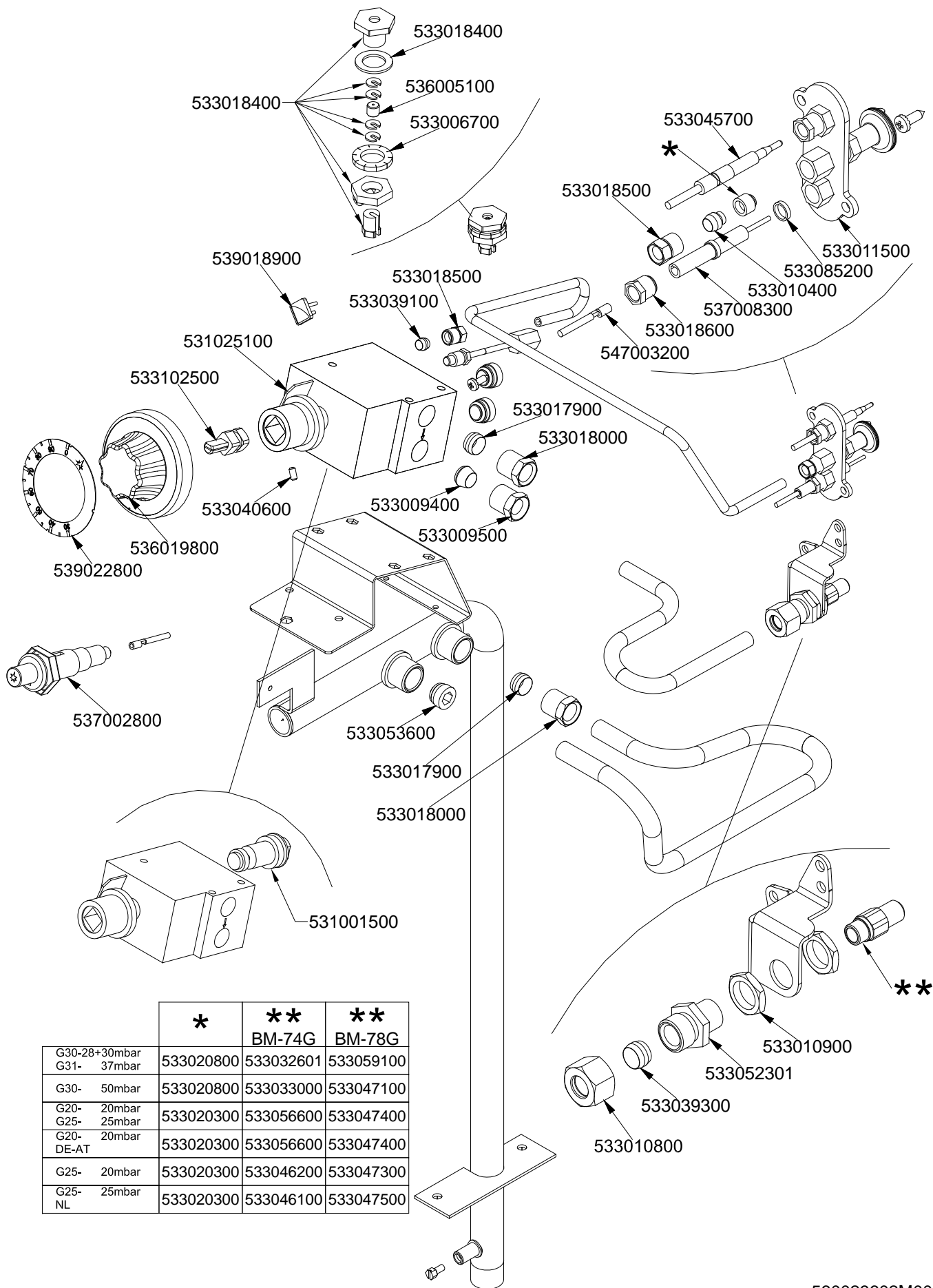




BM - 74 G, BM - 78 G N°≥0706

Platný od 1.5. 2016

do 30.4. 2019



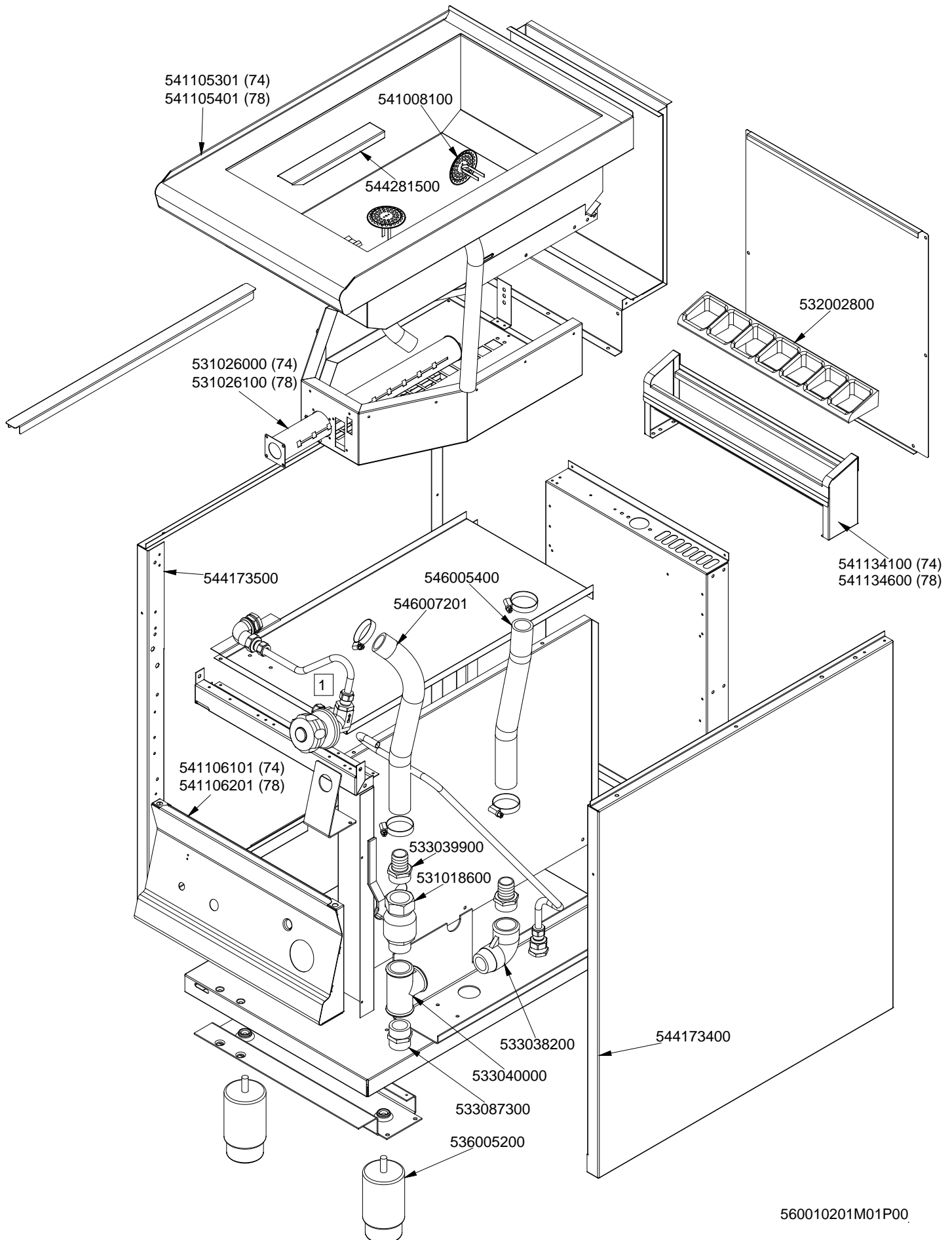
	*	**	**
		BM-74G	BM-78G
G30-28+30mbar G31- 37mbar	533020800	533032601	533059100
G30- 50mbar	533020800	533033000	533047100
G20- 20mbar G25- 25mbar	533020300	533056600	533047400
G20- 20mbar DE-AT	533020300	533056600	533047400
G25- 20mbar	533020300	533046200	533047300
G25- 25mbar NL	533020300	533046100	533047500



BM - 74 G, BM - 78 G N°≤0705

Platný od 1.5. 2016

do 30.4. 2019

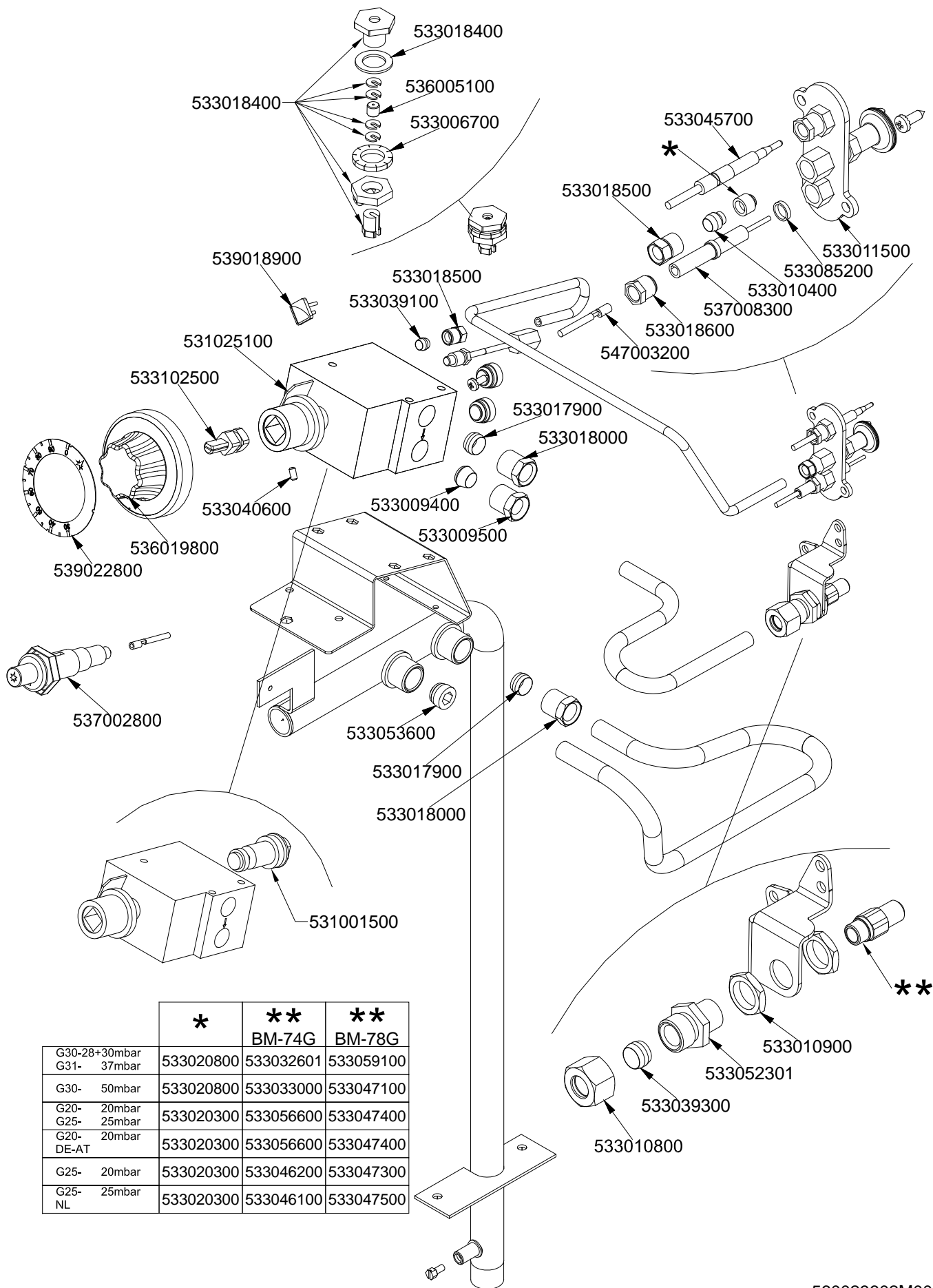




BM - 74 G, BM - 78 G N°≤0705

Platný od 1.5. 2016

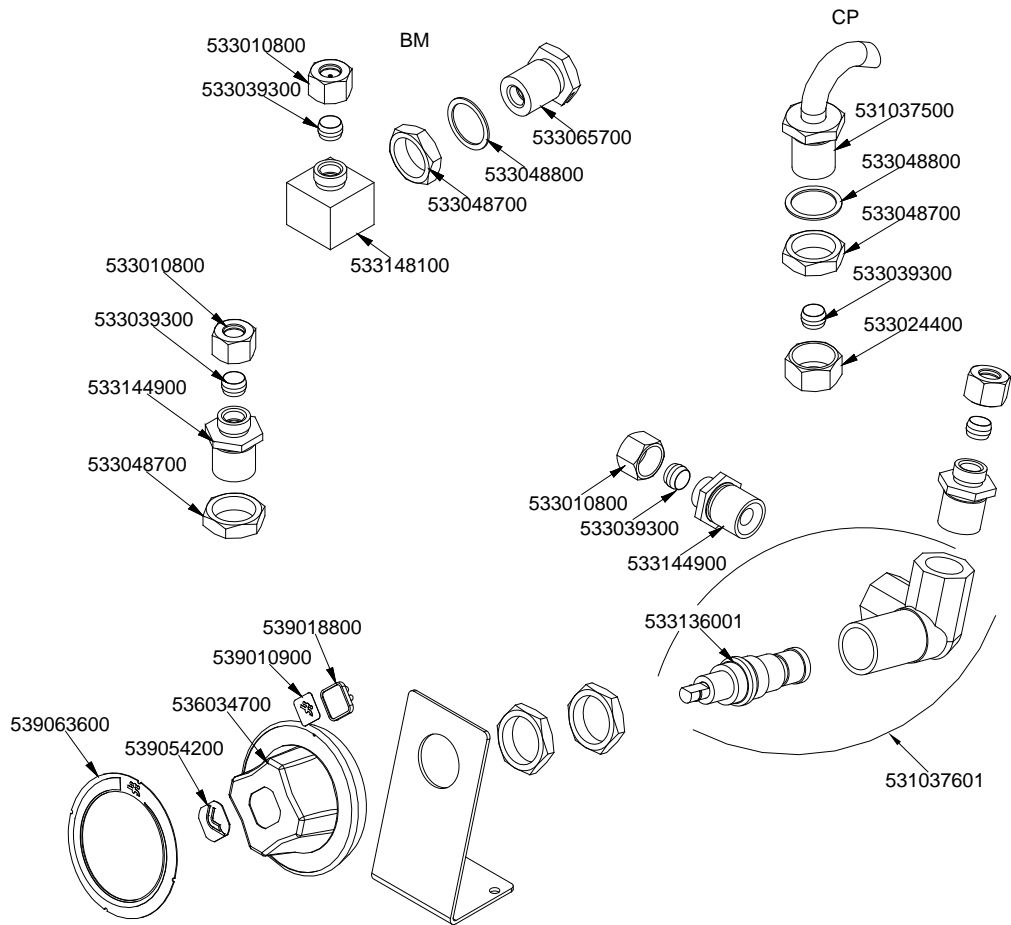
do 30.4. 2019



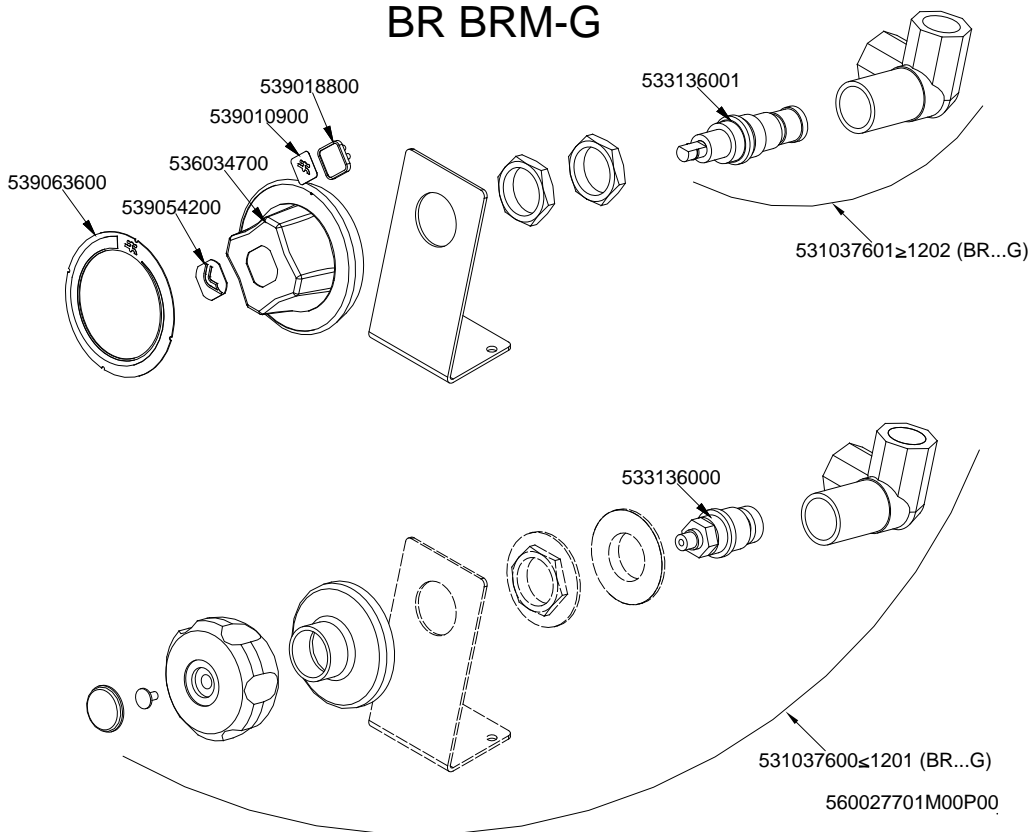
	*	**	**
		BM-74G	BM-78G
G30-28+30mbar G31- 37mbar	533020800	533032601	533059100
G30- 50mbar	533020800	533033000	533047100
G20- 20mbar G25- 25mbar	533020300	533056600	533047400
G20- 20mbar DE-AT	533020300	533056600	533047400
G25- 20mbar	533020300	533046200	533047300
G25- 25mbar NL	533020300	533046100	533047500



**BM - 74 G, BM - 78 G**  
**Platný od 1.5. 2016**  
**do 30.4. 2019**



**BR BRM-G**





BM - 74 G, BM - 78 G  
Platný od 1.5. 2016  
do 30.4. 2019

