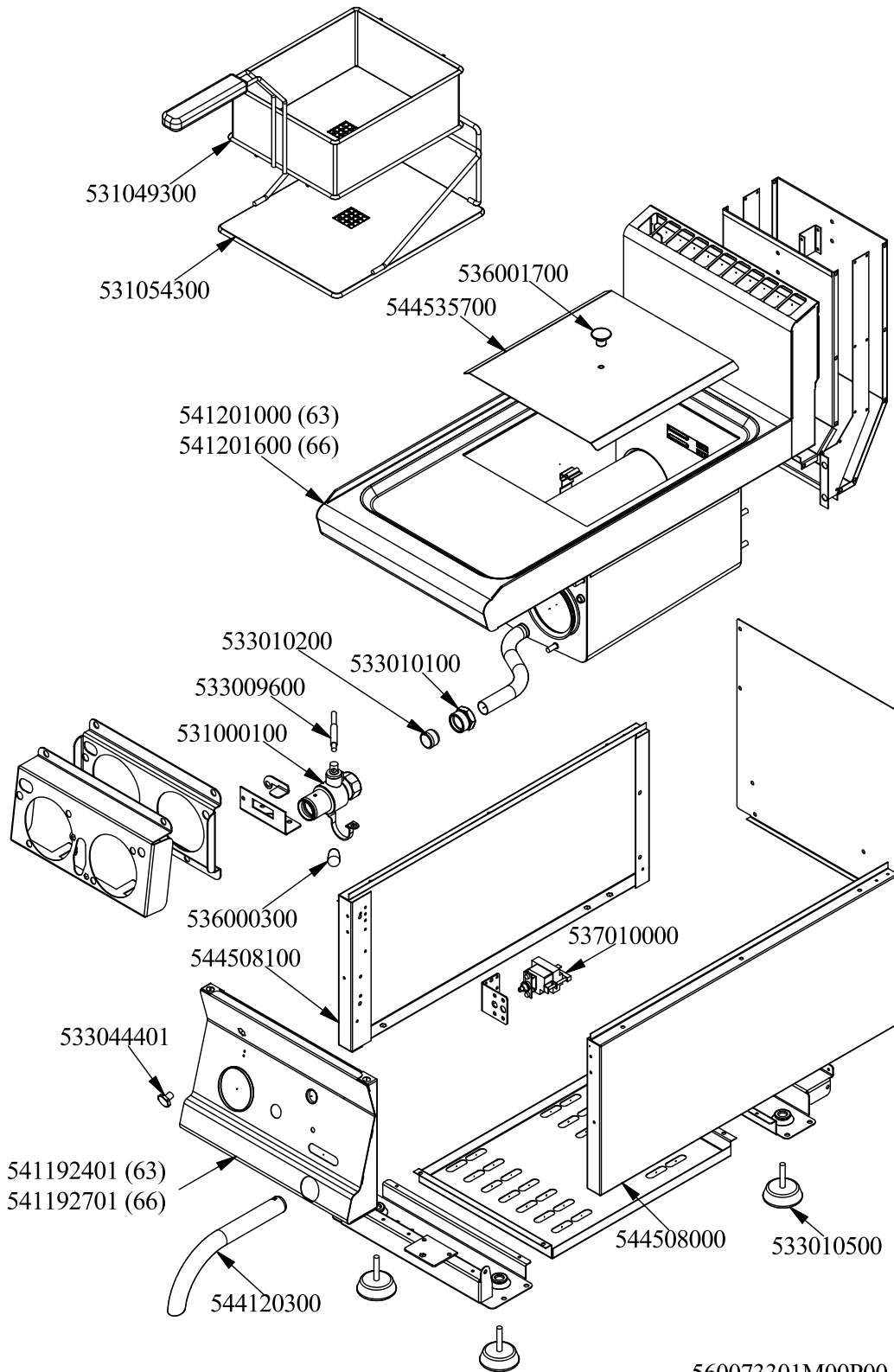


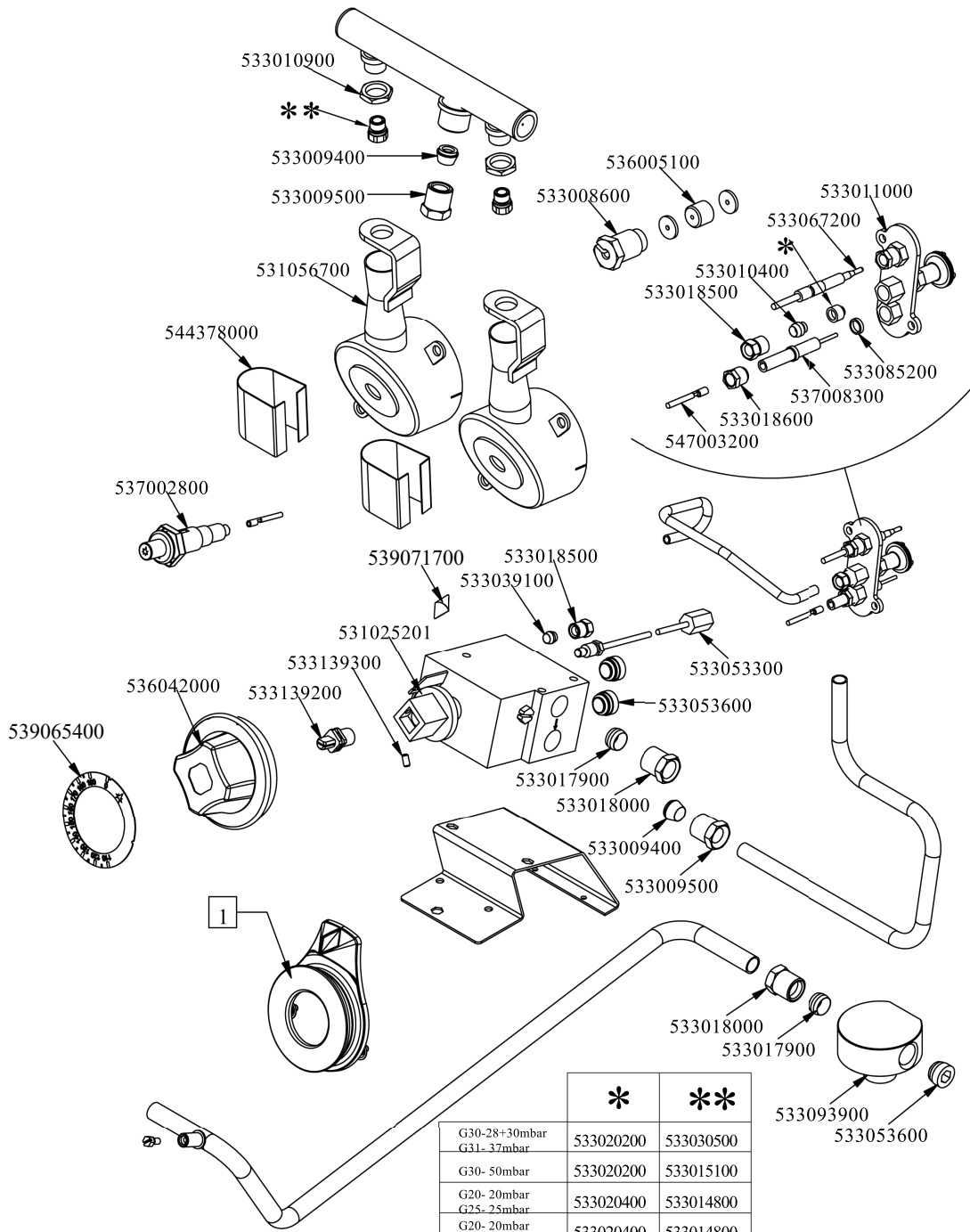
RM 600
 Platný od 1.5. 2019
 F2/8T-66G



560073301M00P00



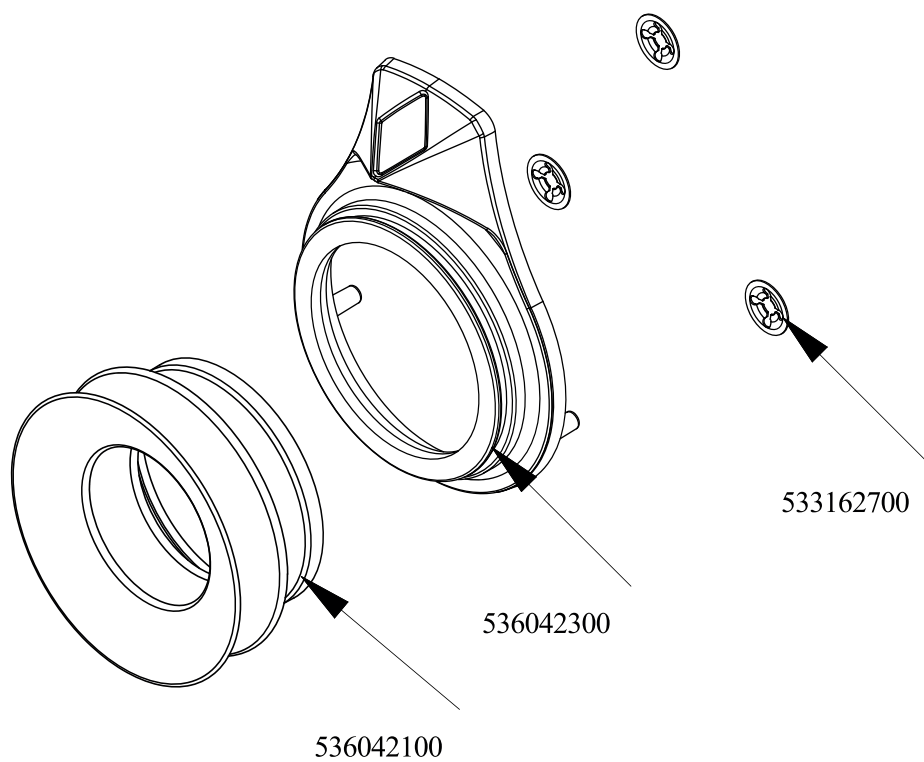
Objednačí kód	Popis v ENG
531000100	DRAIN COCK 3/4"
541201600	UPPER PLATE FOR F2/ 8 T-66G
533044401	M8 THREADED CAP FOR SEC.THERMOSTAT
536000300	FIXED GRIP D.15*25*M6
544508100	LHD SIDE OF 60T APPLIANCES
533010100	3/4 D. 18 PIPE UNION
533010200	BICONE 18S
533009600	DRAIN COCK HANDLE
536001700	GRIP D.25*19*M6
544535700	TANK LID OF F 8T-G
531054300	TANK FILTER FOR F 8T-G 60T
531049300	BASKET 196X235X090 F8T-63G
537010000	SAFETY THERMOSTAT 220°C SINGLEPHASE
541192701	
544120300	DRAIN PIPE 22 FOR COCK 3/4"G
533010500	LEG M10*25 D.40
544508000	RHD SIDE OF 60T APPLIANCES



560073401M00P00.



Objednačí kód	Popis v ENG
533020200	PILOT JETS 0160 FOR LPG §30
533020400	NOZZLE 0160 (NATURAL GAS) 51
533030500	NOZZLE §90 CH12X14 G30/CE
533015100	NOZZLE §80 CH12*14 F-FP/CP6
533014800	NOZZLE §135 CH12*14,0
533014900	NOZZLE §150 CH12*14 F-FQ5 L-FQ6
533030700	NOZZLE §140 CH12X14 AARD-FQ6
533018000	ELBOW FOR BICONE D.12 3/8 RS L20
533017900	BICONE D.12
533093900	FITTING GAS ENTRY 1/2G 2OUT 3/8G
533053600	EUROSIT VALVE PLUG
533009400	BICONE 10S
533009500	NIPPLE FOR BICONE 10S
536005100	GRAPHITE §07,4 GASKET
533008600	STUFFING BOX M9*1
533011000	PILOT BURNER 3 FLAMES 320
533067200	THERMOCOUPLE 220+500 M9*1 CUT-OFF
533010400	BICONE D.6
533018500	FITTING FOR BICONE D.6 M10*1
533085200	SPACER FOR PILOT PLUG
537008300	ROUND PLUG §2,4- LONG ELECTRODE
533018600	PLUG FITTING
547003200	HIGH-VOLTAGE CABLE TUBE.§2 L=500
544378000	BUSH FOR BURNER AIR-REGULATION F13T
531056700	BURNER FOR FRYER 60T+55
533010900	NUT M14*1 H.4
533053300	THERMOCOUPLE EXTENSION M9*1
531025201	EUROSIT VALVE FQ 110-190°C
539071700	ADHES.LABEL FOR RING GREEN SIGN.
533139200	SHORT PIVOT FOR BRASS KNOB
537002800	PIEZOELECTRIC IGNITION M18 WITH NUT
536042000	SILVER CHROM. KNOB Ø77 4P.G.Ø8SX6,5
539065400	BLACK STICKING DISK 72 (110,190°)
533039100	BICONE §6
533139300	BURNISH HEADLESS SCREW M05*05 PCEI
-	-



560125700M00P00

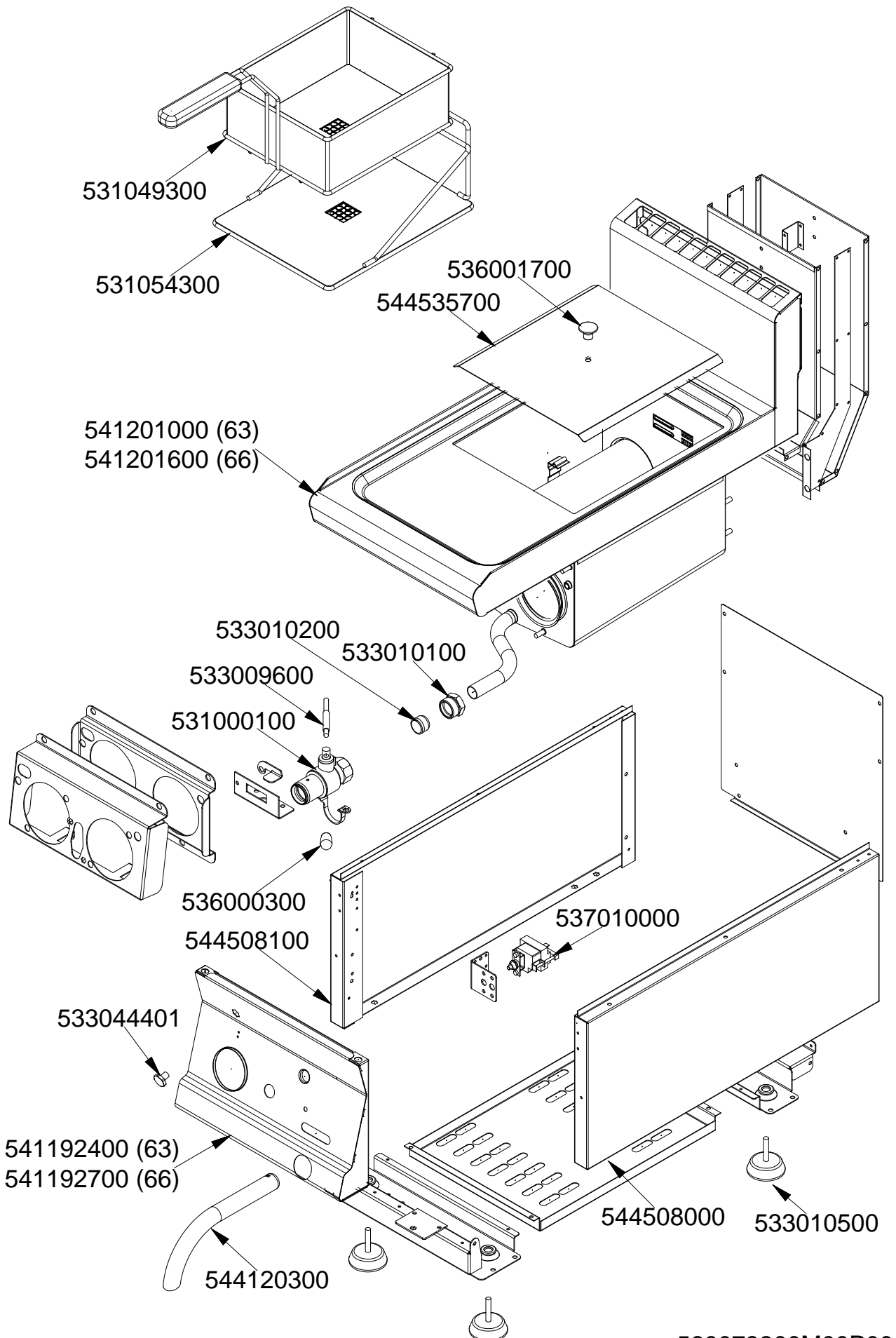


Objednačí kód	Popis v ENG
536042300	SILVER CHROM. RING FOR KNOB Ø77 4 P
536042100	SEAL CASING FOR KNOB Ø77 4 P
533162700	PROCESSING CODE

F8T - 63 G, F2/8T - 66 G

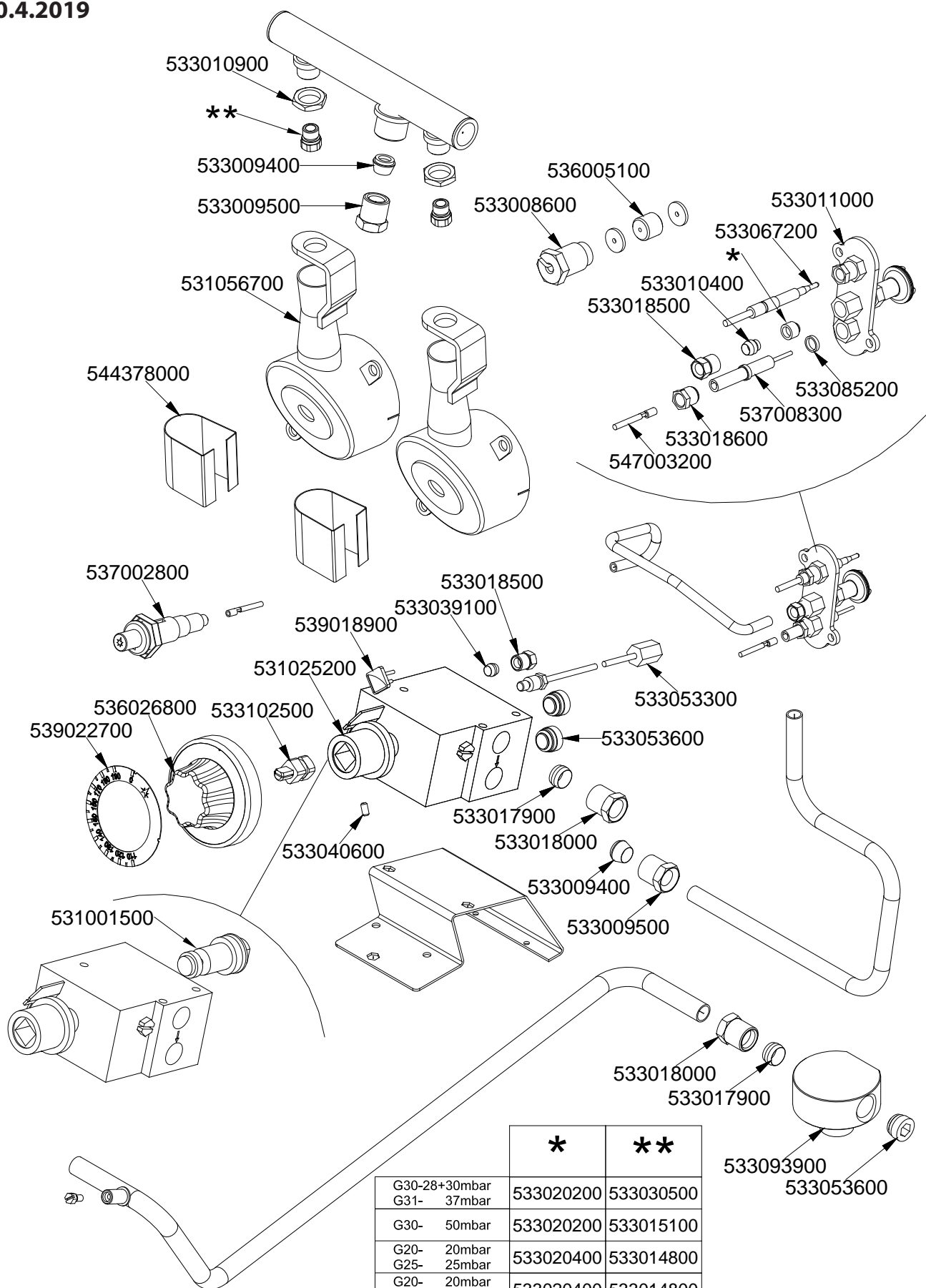
Platný od 1.5.2016

do 30.4.2019





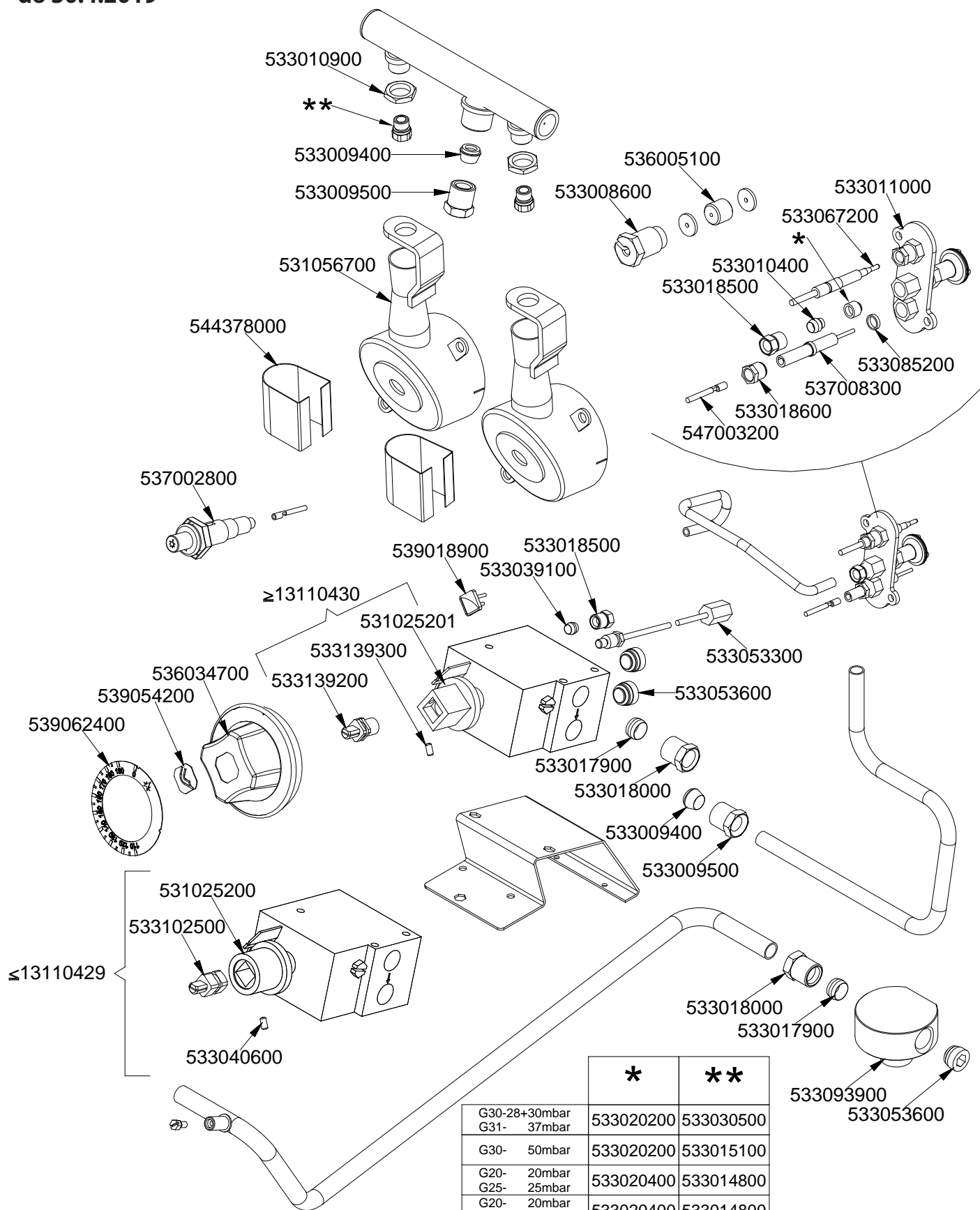
F8T - 63 G, F2/8T - 66 G
 Platný od 1.5.2016
 do 30.4.2019



	*	**
G30-28+30mbar G31- 37mbar	533020200	533030500
G30- 50mbar	533020200	533015100
G20- 20mbar G25- 25mbar	533020400	533014800
G20- 20mbar DE-AT	533020400	533014800
G25- 20mbar	533020400	533014900
G25- 25mbar NL	533020400	533030700



F8T - 63 G, F2/8T - 66 G
 Platný od 1.5.2016
 do 30.4.2019



	*	**
G30-28+30mbar G31- 37mbar	533020200	533030500
G30- 50mbar	533020200	533015100
G20- 20mbar G25- 25mbar	533020400	533014800
G20- 20mbar DE-AT	533020400	533014800
G25- 20mbar	533020400	533014900
G25- 25mbar NL	533020400	533030700