

Technical data sheet

Product features



Bain marie gas GN 1/1 + 2x 1/4 - 150 without cabinet

Model	SAP Code	00000092
--------------	-----------------	----------



- Drain type: On the front panel
- Drain: Yes
- Safety drain: Yes
- Material: AISI 304 top plate and cladding
- Protection of controls: IPX5
- Ignition: Piezo + večný plamen

SAP Code	00000092	Power gas [kW]	4.500
Net Width [mm]	600	Type of gas	Natural Gas
Net Depth [mm]	600	Number of GN / EN	3
Net Height [mm]	280	GN / EN size in device	GN 1/1 + GN 1/4
Net Weight [kg]	24.00	GN device depth	150

Technical data sheet

Technical drawing

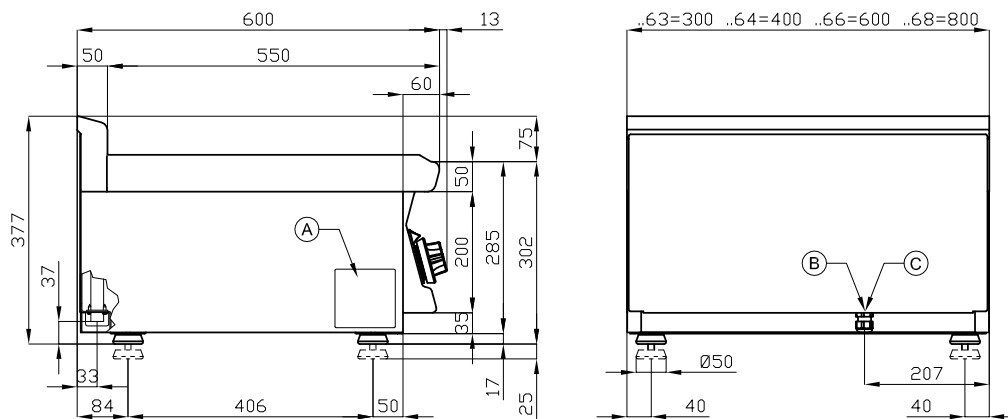


Bain marie gas GN 1/1 + 2x 1/4 - 150 without cabinet

Model

SAP Code

00000092



A	Data plate	C	Gas connection	ISO 7-1 1/2" M
---	------------	---	----------------	----------------

Technical data sheet

Product benefits



Bain marie gas GN 1/1 + 2x 1/4 - 150 without cabinet

Model

SAP Code

0000092

1

Deep-draft bathtubs

basins without sharp transitions, edges and corners

- easy maintenance
- perfect sanitation

2

All-stainless steel construction

harmless to health for contact with food
robustness

- perfect sanitation
- long service life

3

Drain valve with snap-on elbow for easy draining

safer placement of the drain valve

- valve location and use of an elbow and safety lock prevent unintentional contact and possible scalding

Technical data sheet

Technical parameters



Bain marie gas GN 1/1 + 2x 1/4 - 150 without cabinet

Model

SAP Code

00000092

1. SAP Code:

00000092

2. Net Width [mm]:

600

3. Net Depth [mm]:

600

4. Net Height [mm]:

280

5. Net Weight [kg]:

24.00

6. Gross Width [mm]:

630

7. Gross depth [mm]:

690

8. Gross Height [mm]:

610

9. Gross Weight [kg]:

28.00

10. Device type:

Gas unit

11. Construction type of device:

Table top

12. Power gas [kW]:

4.500

13. Ignition:

Piezo + večný plamen

14. Type of gas:

Natural Gas

15. Protection of controls:

IPX5

16. Device color:

Stainless steel

17. Material:

AISI 304 top plate and cladding

18. Worktop Thickness [mm]:

1.00

19. Basin dimensions [mm x mm x mm]:

GN 1/2-150 + 2x GN 1/4-150

20. Service accessibility:

Trough the frontal panel

21. Safety thermocouple:

Yes

22. Adjustable feet:

Yes

23. Additional information:

Gastronutrients and lids not included

24. Basin material:

AISI 304 - High quality stainless steel

25. Drain type:

On the front panel

26. Drain:

Yes

27. Safety drain:

Yes

28. Number of GN / EN:

3

Technical data sheet

Technical parameters



Bain marie gas GN 1/1 + 2x 1/4 - 150 without cabinet

Model	SAP Code	0000092
--------------	-----------------	---------

29. GN / EN size in device:

GN 1/1 + GN 1/4

30. GN device depth:

150