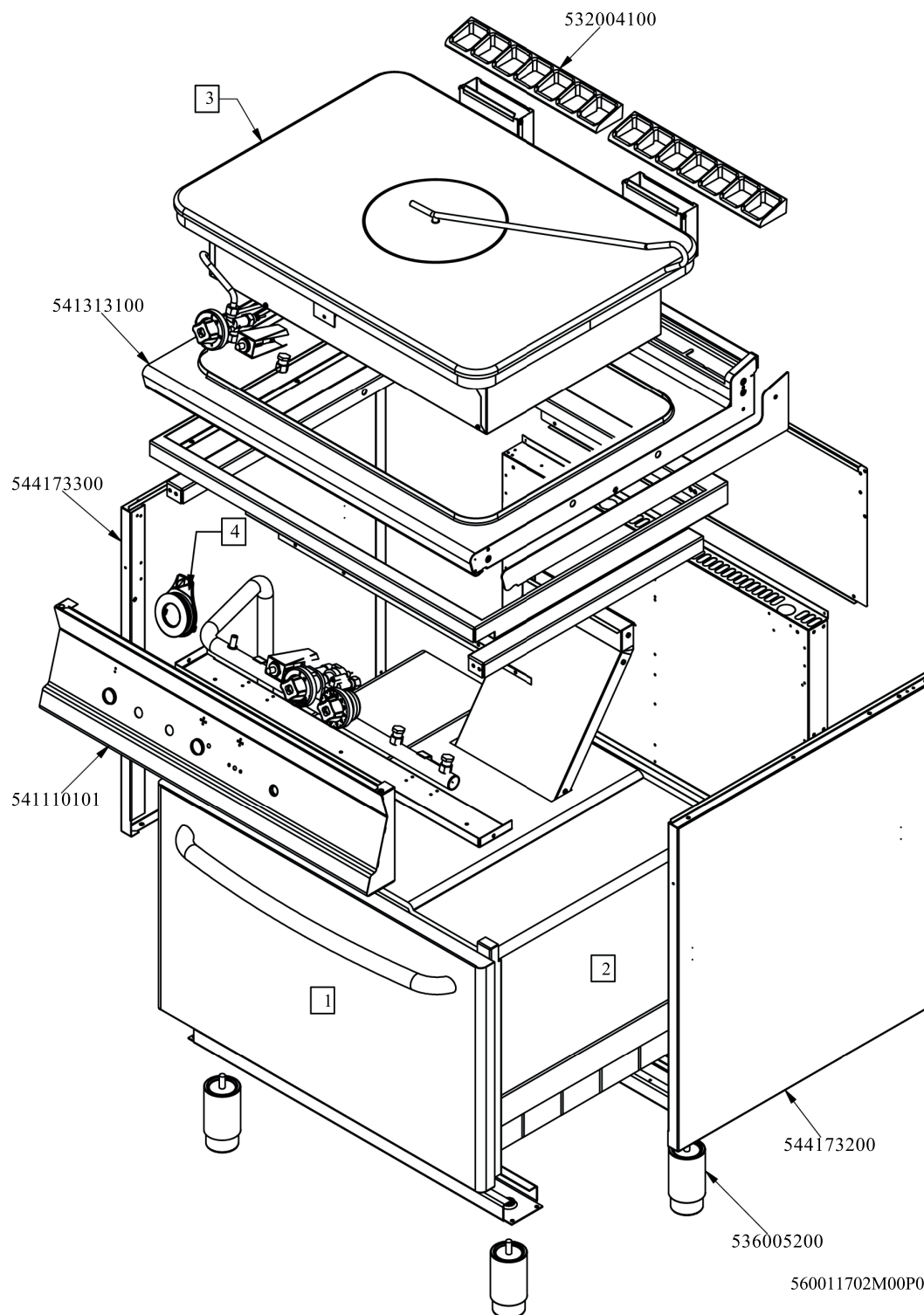
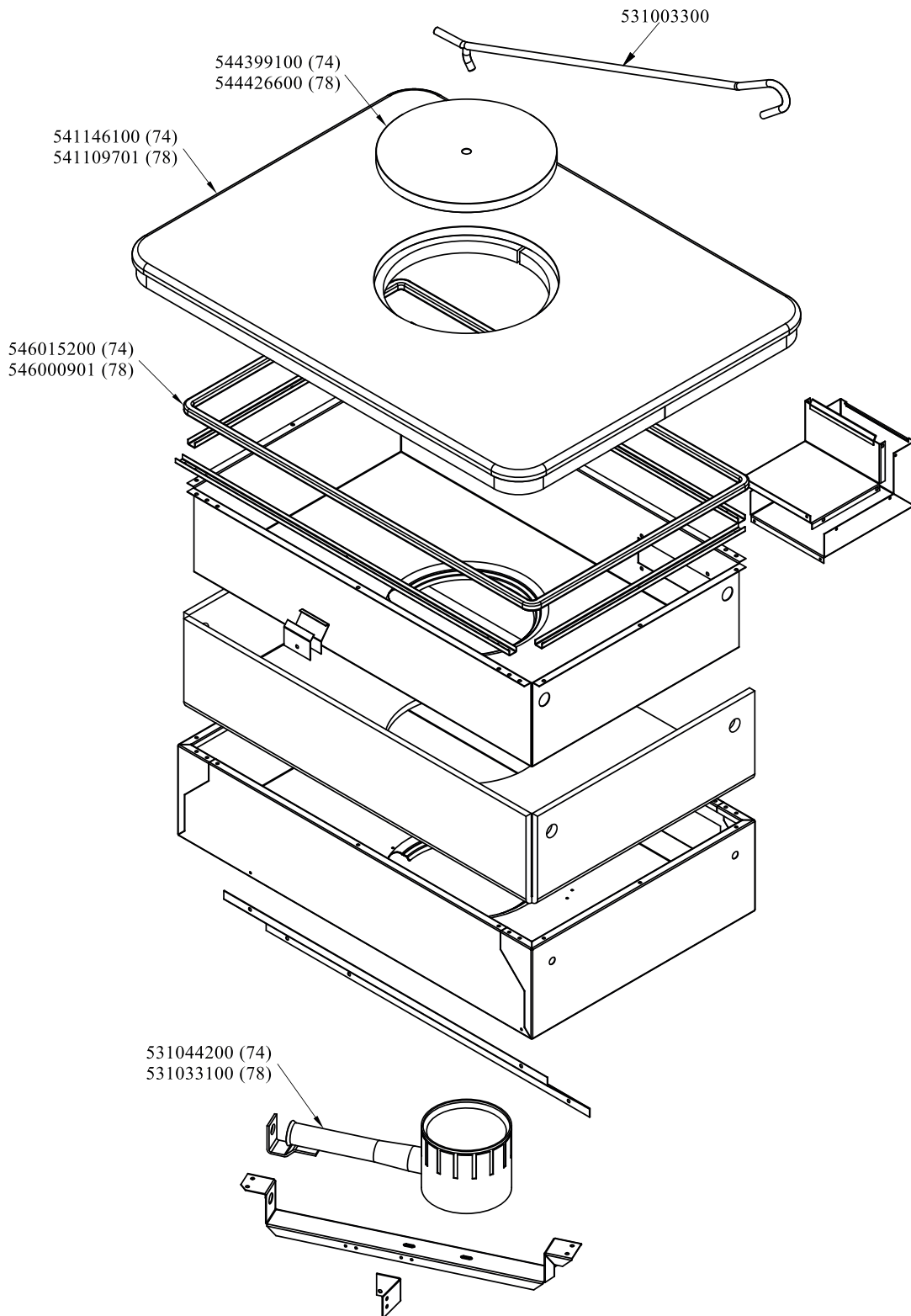


RM 700  
Platný od 1.5. 2019  
TPF-78GE



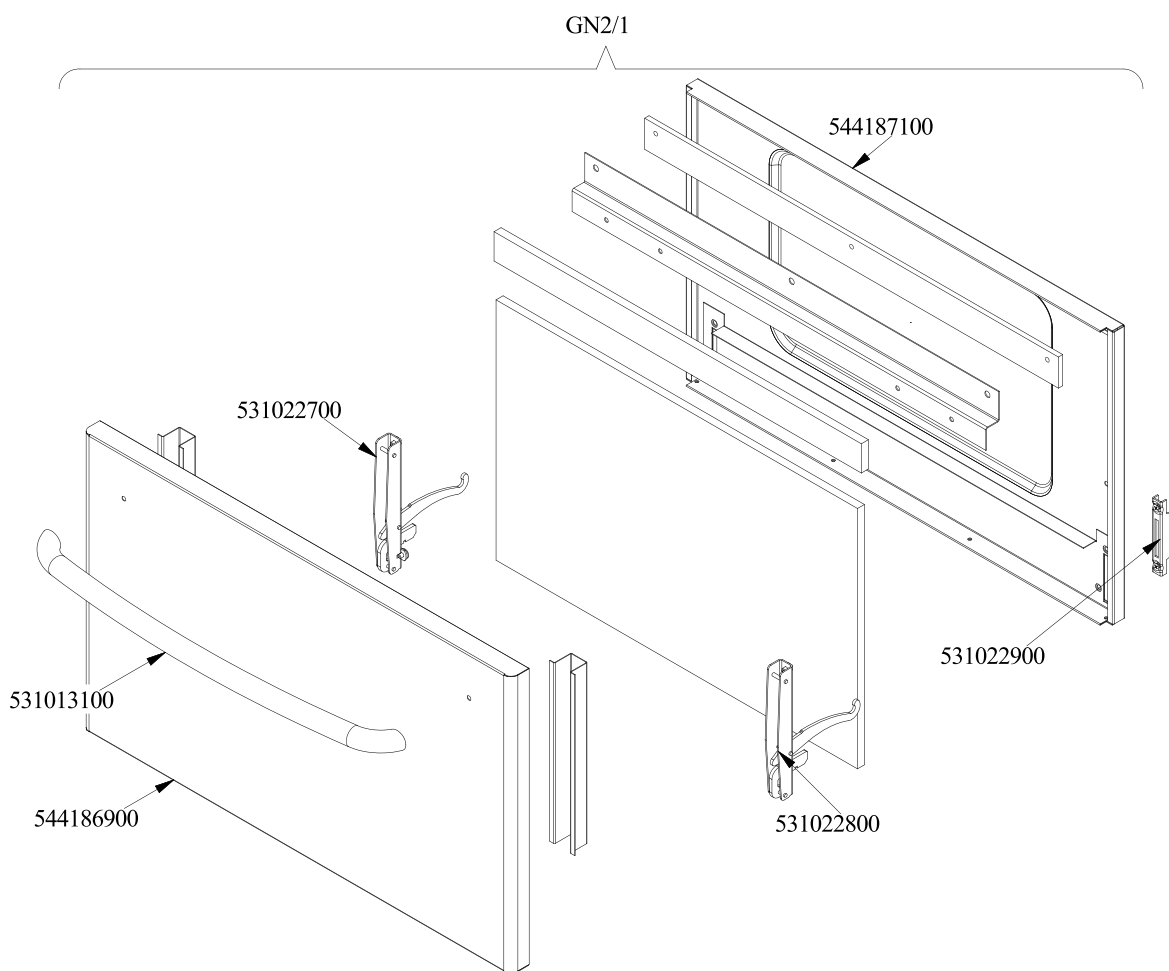


Objednací kód	Popis v ENG
544173300	LEFT SIDE PANEL RANGE S.70
541313100	
532004100	FLUE GRID L=370 90LINE (RAF)
541110101	
544173200	RIGHT SIDE PANEL RANGE S.70
536005200	INOX LEG 2" 120-180 M10
-	-
-	-
-	-
-	-





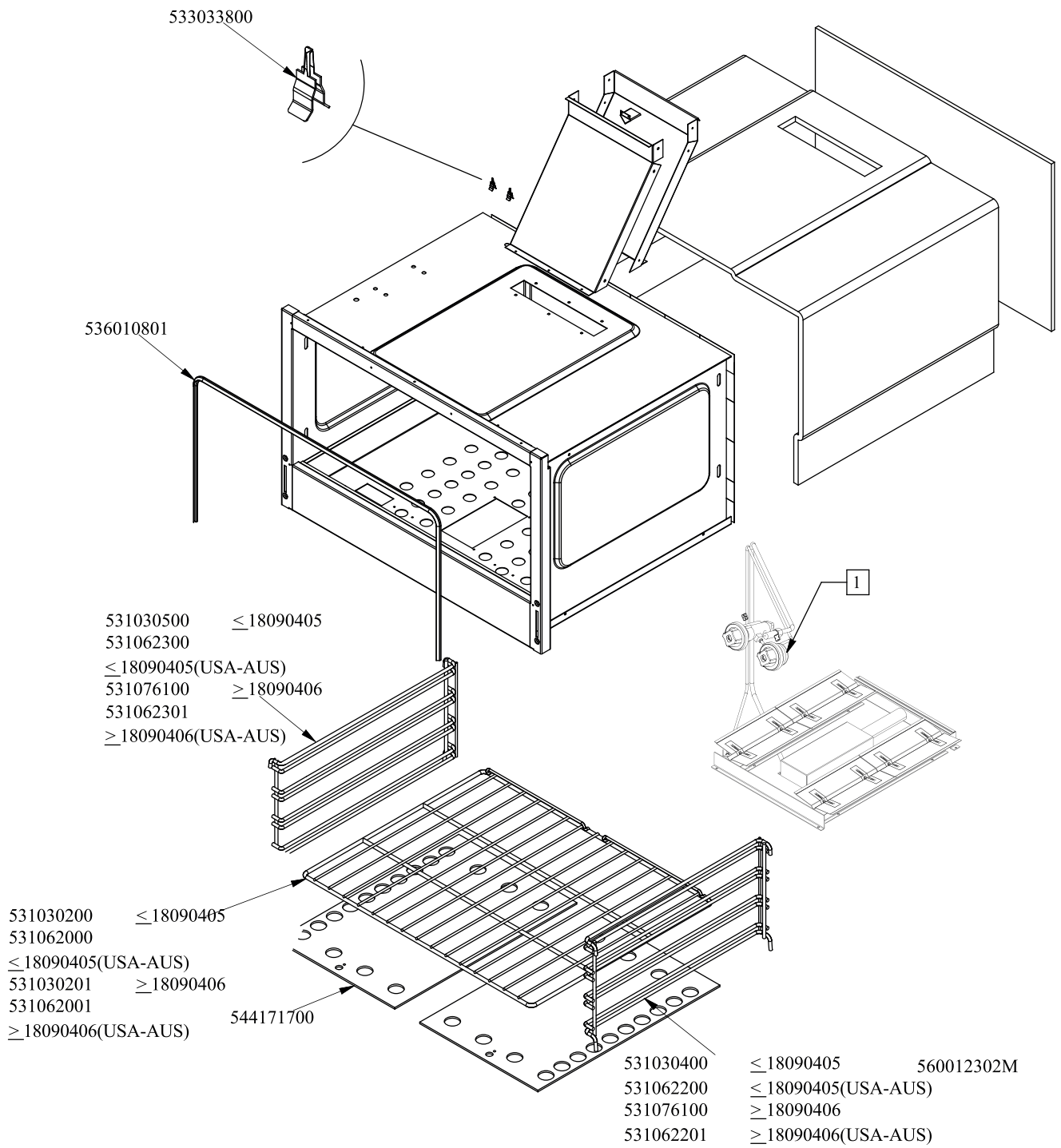
Objednačí kód	Popis v ENG
531003300	TP-PLATE LIFTING HOOK
544399100	PLATE RING FOR TP-74G TP-94G
544426600	PLATE RING FOR TP-98G
541146100	PLATE TP-74G
541109701	UPPER PLATE TP-78G
546015200	SQUARE BRAID 12*12*L=1495
546000901	SQUARE BRAID OF INSULATING MATERIAL
531044200	CIRCULAR BURNER TP D.066
531033100	BURNER TP..-78G



560099800M01P00



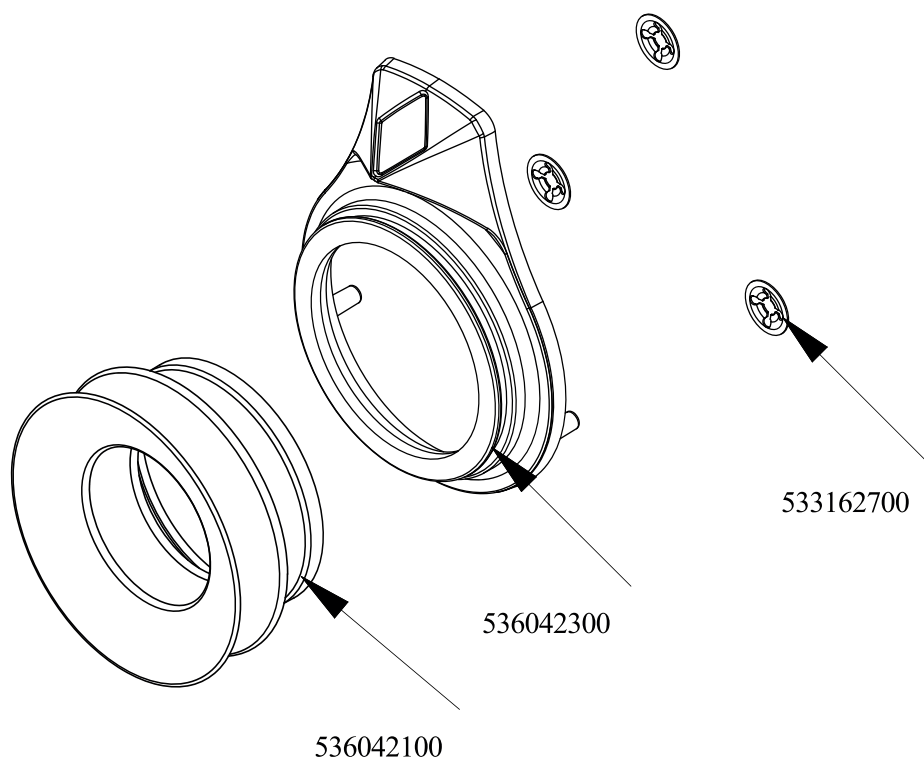
Objednací kód	Popis v ENG
_GN2/1	PROCESSING CODE
544187100	OVEN INNER DOOR GN 2/1 70/90LINE
531022800	531022800N DOOR HINGE S.70
531013100	OVEN DOOR HANDLE OF 70/90-LINE
544186900	OVEN DOOR GN 2/1 70/90LINES
531022700	LEFT OVEN DOOR HINGE 70LINE
531022900	HINGE ROLLER HOLDER FOR 700-OVEN
GN3/1	PROCESSING CODE
541102300	GAS OVEN INNER DOOR GN 3/1 S.70
531022800	531022800N DOOR HINGE S.70
531013100	OVEN DOOR HANDLE OF 70/90-LINE
544187000	OVEN DOOR GN 3/1 S.70
531022700	LEFT OVEN DOOR HINGE 70LINE
531022900	HINGE ROLLER HOLDER FOR 700-OVEN





Objednací kód	Popis v ENG
544171700	BOTTOM FOR GAS OVEN GN2/1 700LINE
536010801	OVEN GASKET GN 2/1 (1308)
531030200	OVEN GRID GN 2/1 FOR 70 LINE
531062000	OVEN GRID GN 2/1 FOR 70 LINE
531030201	GRID FOR OVEN GN2/1 70L
531062001	
531030500	LHD SUPPORT GRID FOR OVEN OF 70LINE
531062300	LHD SUPPORT GRID FOR OVEN OF 70LINE
531076100	
531062301	
531030400	RHD SUPPORT GRID FOR OVEN OF 70LINE
531062200	RHD SUPPORT GRID FOR OVEN OF 70LINE
531062201	





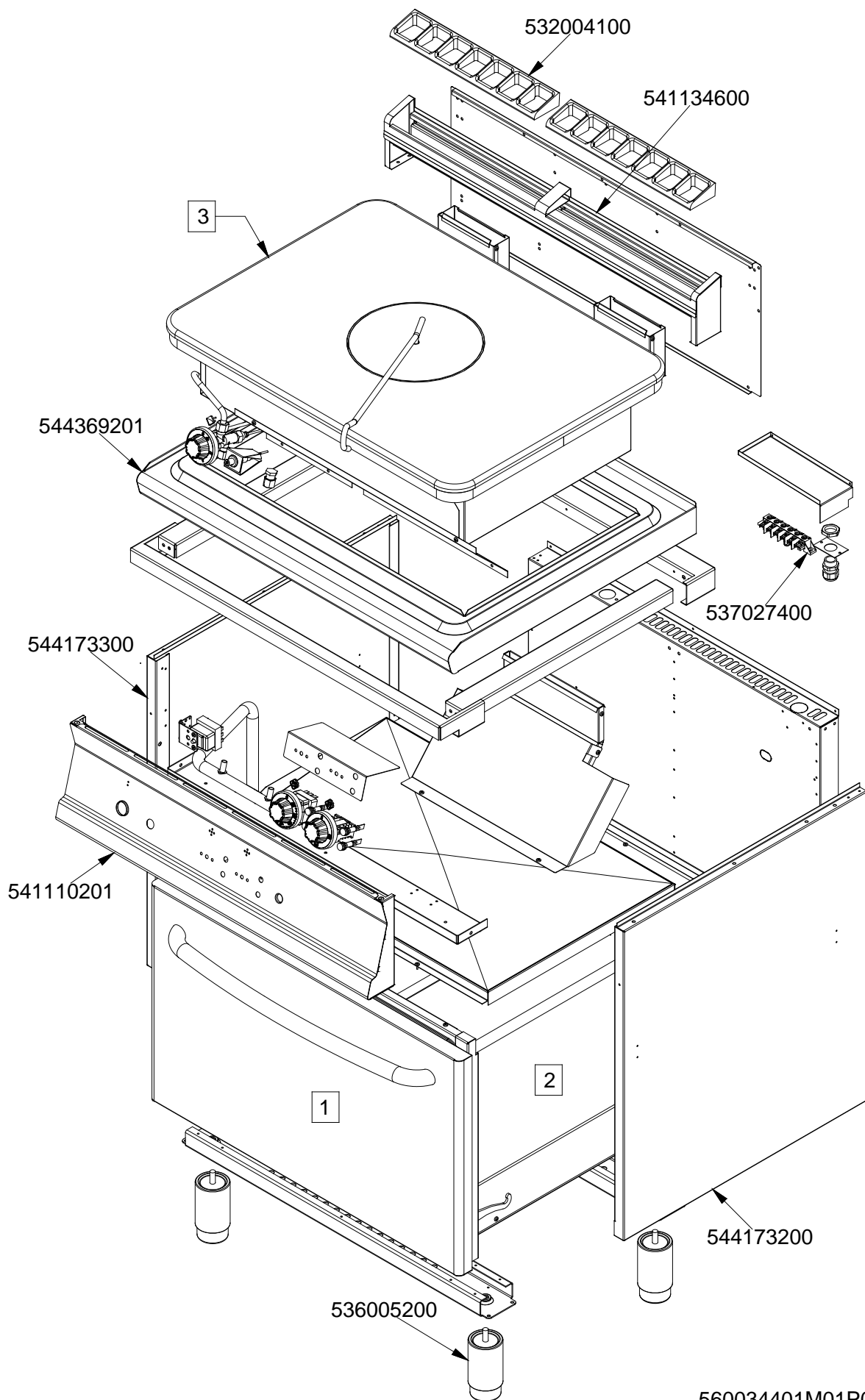
560125700M00P00



Objednačí kód	Popis v ENG
536042300	SILVER CHROM. RING FOR KNOB Ø77 4 P
536042100	SEAL CASING FOR KNOB Ø77 4 P
533162700	PROCESSING CODE



TPF - 78 GE  
 Platný od  
 1.5.2016  
 do 30.4.2019



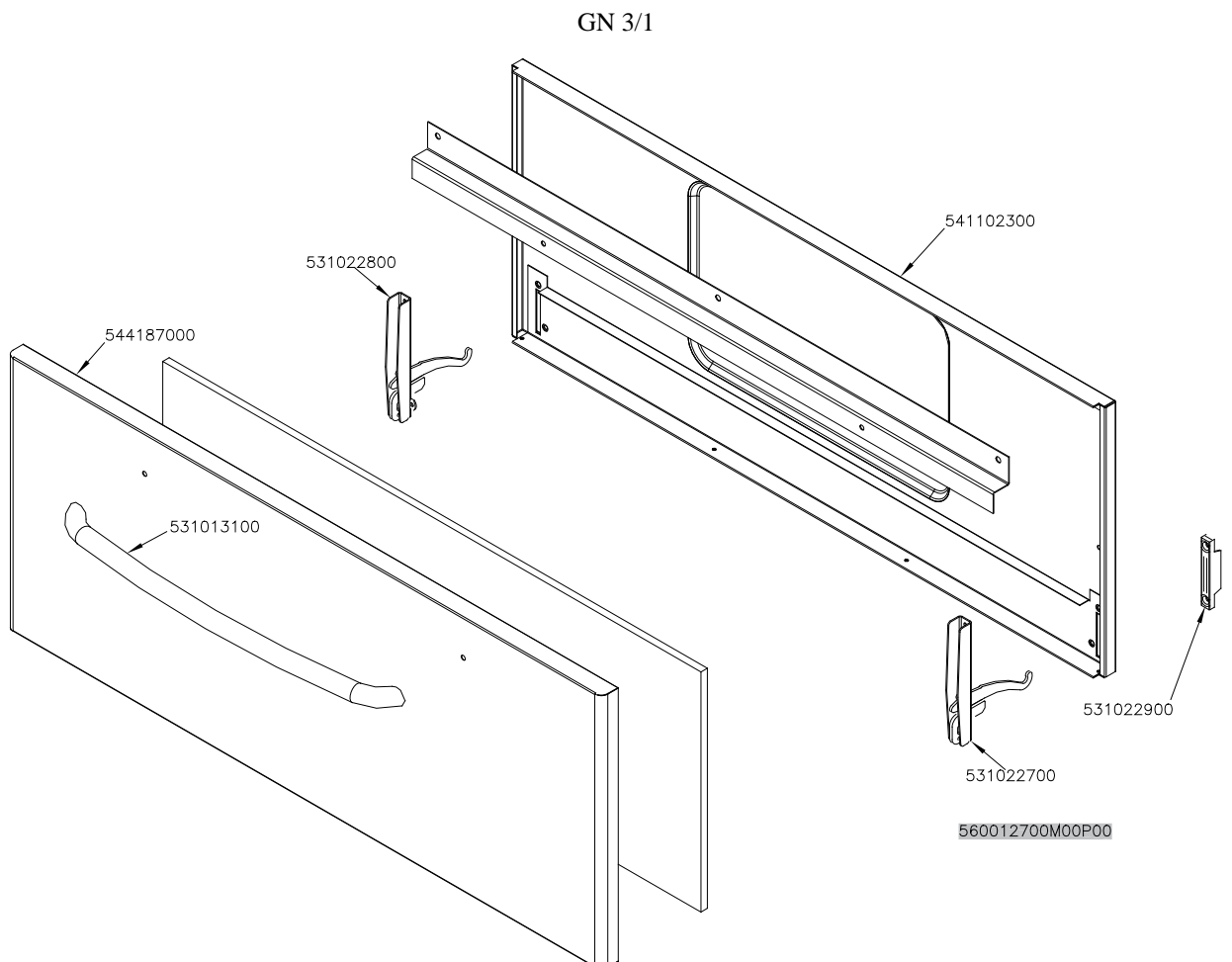
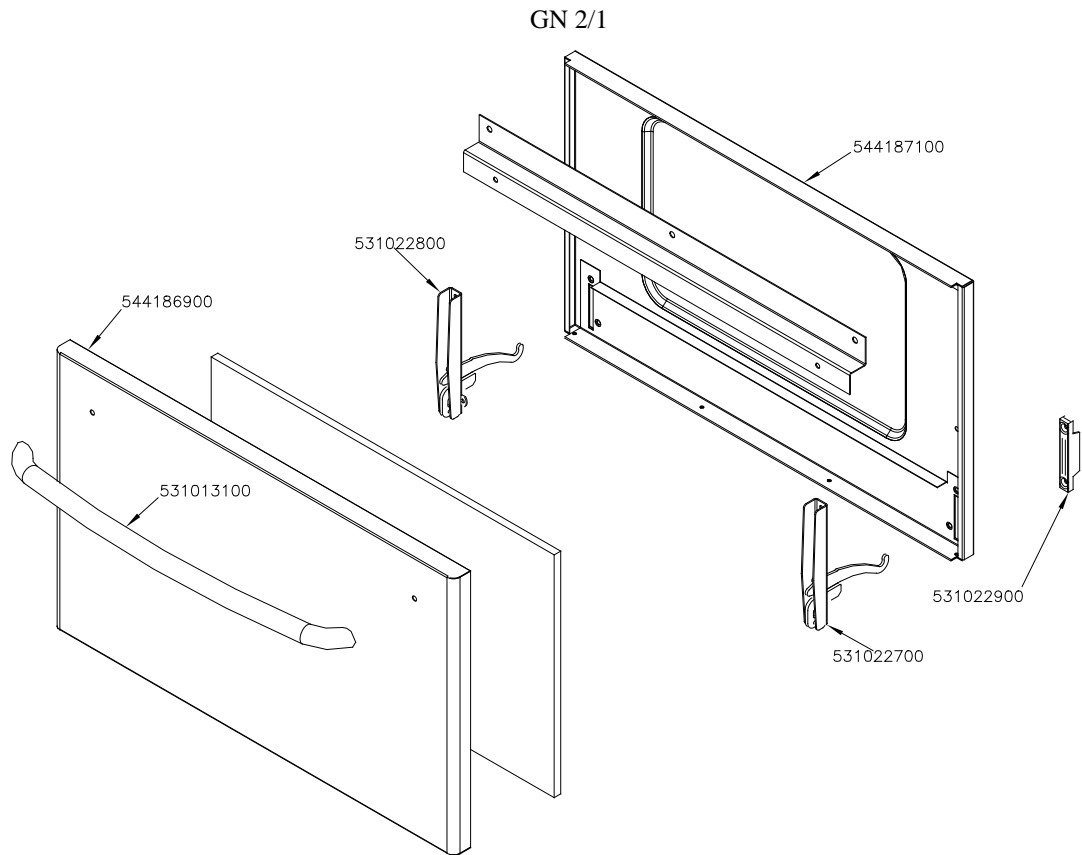
TPF - 78 GE

(1)

Platný od

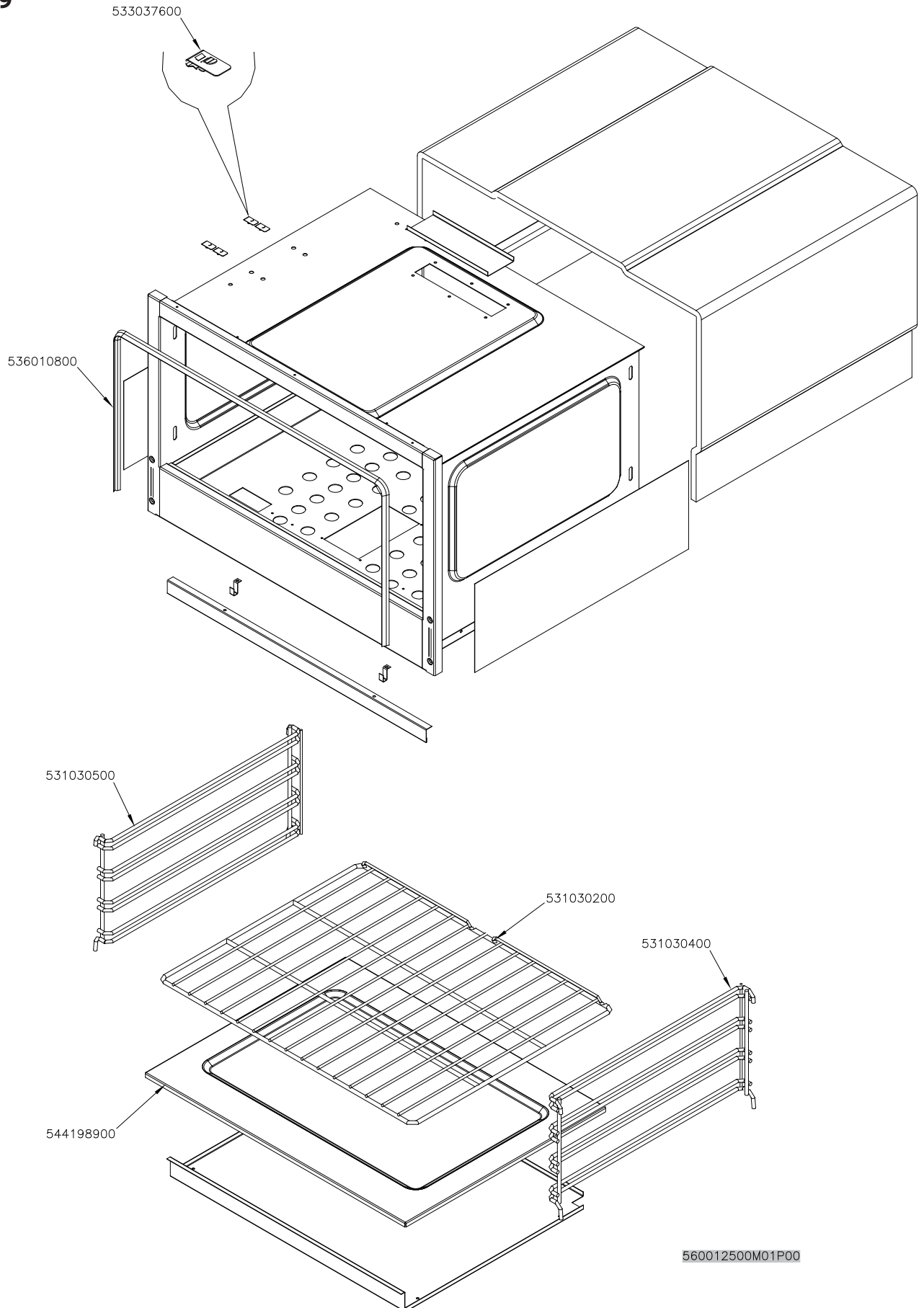
1.5.2016

do 30.4.2019



TPF - 78 GE

(2)  
 Platný od  
 1.5.2016  
 do  
 30.4.2019

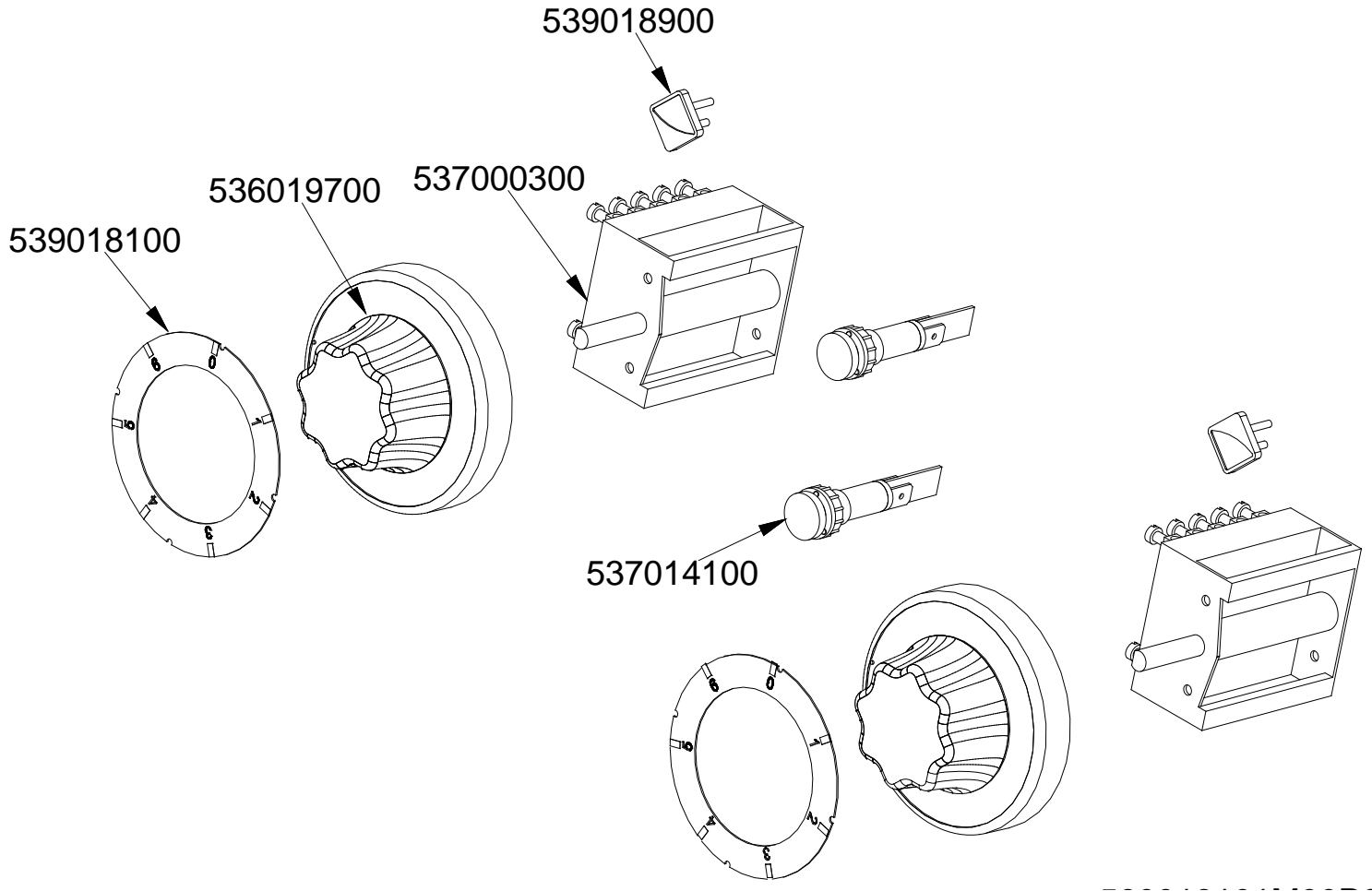


TPF - 78 GE

Platný od

1.5.2016

do 30.4.2019





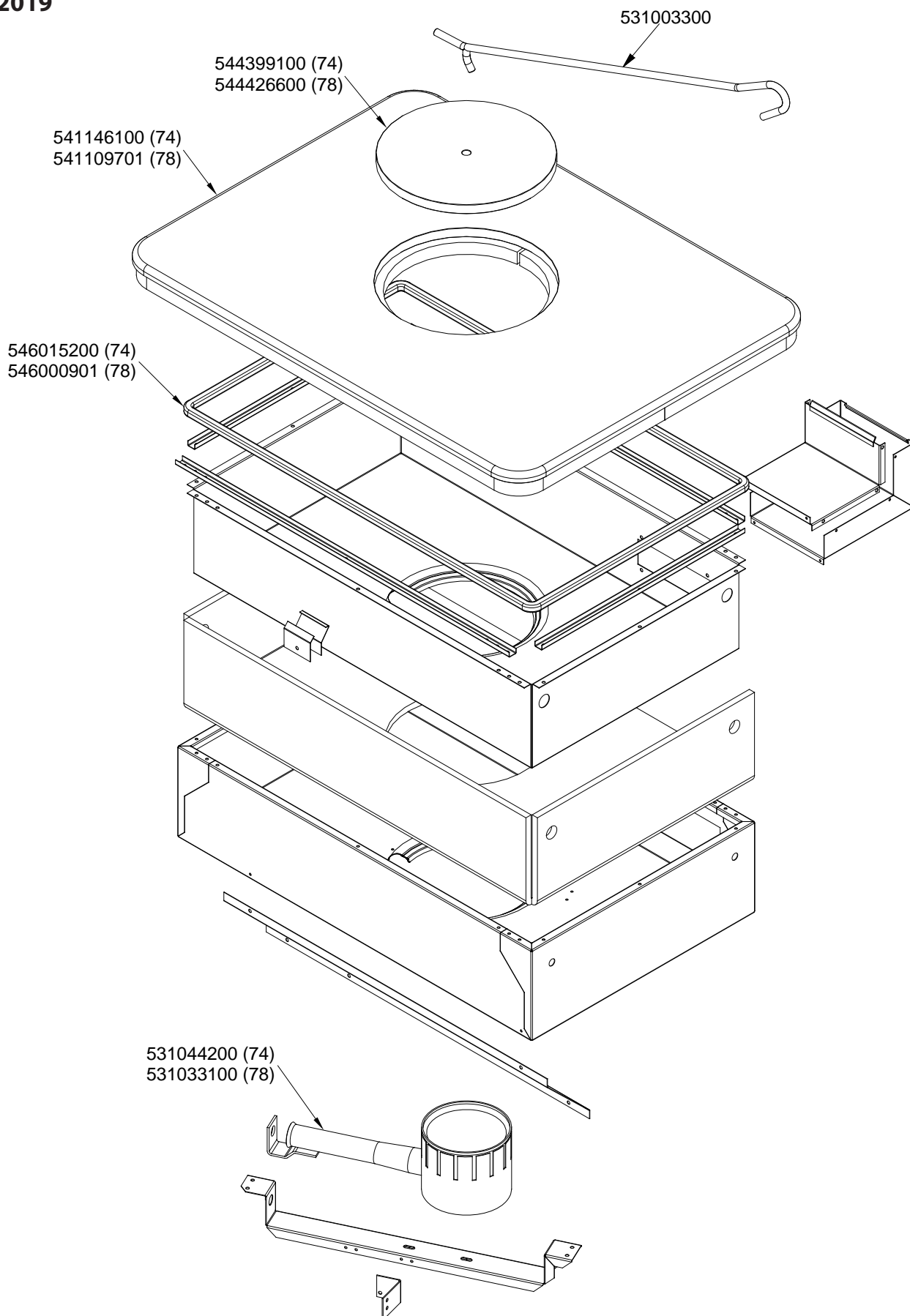
TPF - 78 GE

(3)

Platný od

1.5.2016

do 30.4.2019





## TPF - 78 GE

(4)

Platný od

1.5.2016

do 30.4.2019

