

Technical data sheet



Product features

Model	SAP Code	00110102
SPB 70/012 G	A group of articles - web	Stoves



- Device type: Gas unit
- Number and power / input of zones 1: 2 burners 3.5 kW
- Number and power / input of zones 2: 4x burner 6 kW
- Protection of controls: IPX4
- Material: AISI 304 top plate, AISI 430 cladding
- Worktop Thickness [mm]: 1.20
- Service accessibility: Trough the frontal panel

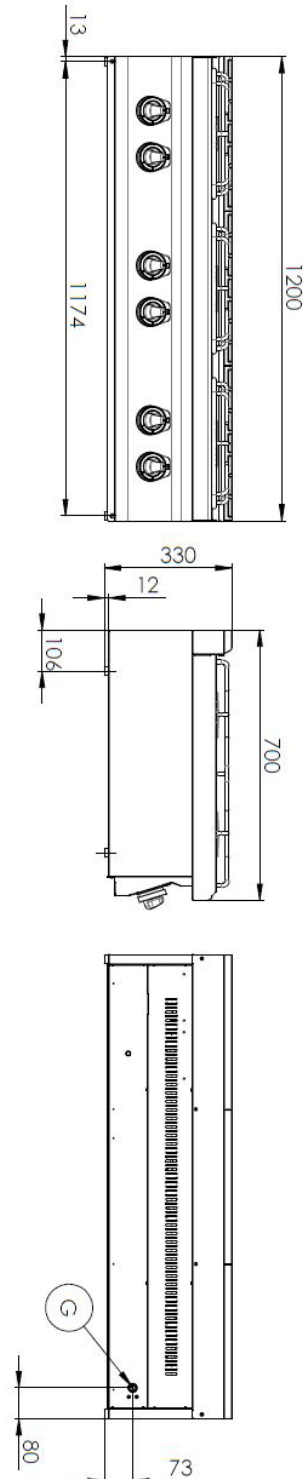
SAP Code	00110102	Power gas [kW]	31.000
Net Width [mm]	1200	Type of gas	Natural gas, propane butane
Net Depth [mm]	700	Number and power / input of zones 1	2 burners 3.5 kW
Net Height [mm]	330	Number and power / input of zones 2	4x burner 6 kW
Net Weight [kg]	55.00		

Technical data sheet



Technical drawing

Model	SAP Code	00110102
SPB 70/012 G	A group of articles - web	Stoves



Model	SAP Code	00110102
SPB 70/012 G	A group of articles - web	Stoves

- 1 Massive construction of burners**
high performance and efficiency
cast iron burners removable
long life
 - energy saving (perfect combustion)
 - time saving for food preparation
 - easy maintenance/cleaning
- 2 Hygienic moldings of the top plate**
absence of sharp corners and edges (potential places where dirt could stick)
smooth transitions
 - easy quick cleaning
- 3 Degree of protection of the control elements IPX4**
maintenance-free system
resistance to splash water
long life
 - savings on service interventions
 - easy cleaning and maintenance of equipment
- 4 All-stainless design**
long life
resistance of a ground steel plate with a thickness of 10 mm
 - savings on service interventions
 - higher corrosion resistance
- 5 Safety element - thermocouple**
safe operation for personnel
there is no overheating and damage to the thallus
long life
 - savings on service interventions
 - easier and faster operation
- 6 Cooking unit for use on a table or on a base**
variable use
the possibility of placement in smaller spaces
 - easy handling
 - cost savings on substructure

Technical data sheet



Technical parameters

Model	SAP Code	00110102
SPB 70/012 G	A group of articles - web	Stoves

1. SAP Code:

00110102

2. Article group:

RF-Line 700

3. Net Width [mm]:

1200

4. Net Depth [mm]:

700

5. Net Height [mm]:

330

6. Net Weight [kg]:

55.00

7. Gross Width [mm]:

1240

8. Gross depth [mm]:

800

9. Gross Height [mm]:

975

10. Gross Weight [kg]:

69.00

11. Device type:

Gas unit

12. Construction type of device:

Table top

13. Power gas [kW]:

31.000

14. Type of gas:

Natural gas, propane butane

15. Protection of controls:

IPX4

16. Material:

AISI 304 top plate, AISI 430 cladding

17. Worktop type:

Molded - comfortable cleaning maintenance

18. Worktop material:

AISI 304

19. Worktop Thickness [mm]:

1.20

20. Number and power / input of zones 1:

2 burners 3.5 kW

21. Number and power / input of zones 2:

4x burner 6 kW

22. Grid material:

Cast iron

23. Service accessibility:

Trough the frontal panel

24. Safety thermocouple:

Yes

25. Adjustable feet:

Yes

26. Number of burners/hot plates:

6

27. Type of gas cooking zones:

Cast iron burners

28. Burner type:

Cast iron, detachable, with internal and external combustion