

Technical data sheet

Product features



Pasta cooker electric 25 l without cabinet 400 V

Model	SAP Code	00000370
--------------	-----------------	----------



- Basin volume [l]: 19
- Drain type: On the front panel
- Drain: Yes
- Safety drain: Yes
- Material: AISI 304 top plate and cladding
- Protection of controls: IPX5
- Maximum device temperature [°C]: 110

SAP Code	00000370	Loading	400 V / 3N - 50 Hz
Net Width [mm]	600	Basin volume [l]	19
Net Depth [mm]	600	Width of internal part [mm]	510
Net Height [mm]	280	Depth of internal part [mm]	310
Net Weight [kg]	42.00	Height of internal part [mm]	220
Power electric [kW]	7.500		

Technical data sheet

Technical drawing

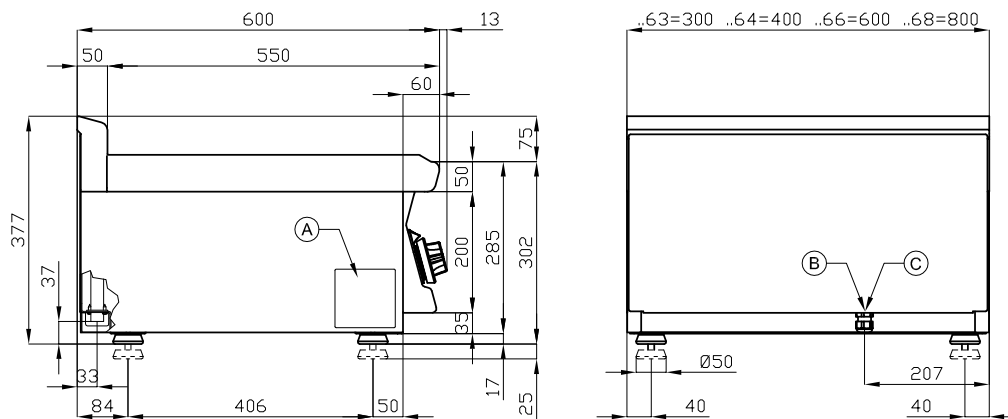


Pasta cooker electric 25 l without cabinet 400 V

Model

SAP Code

00000370



A	Data plate		B	Electrical connection	
---	------------	--	---	-----------------------	--

Technical data sheet

Product benefits



Pasta cooker electric 25 l without cabinet 400 V

Model

SAP Code

00000370

1

All-stainless steel bathtub

long life
resistance of AISI 304 stainless steel material
the material does not cut

- savings on service interventions
- easier and faster operation

2

Degree of protection of the control elements IPX5

maintenance-free system
resistance to splash water
long life

- savings on service interventions
- easy cleaning and maintenance of equipment

3

Drain valve "A" in the front part of the device with a safety lock against self-draining

outlet of the bath into the prepared container

- easy and safe handling

4

Micro switch

microswitch preventing the device from running when there is no water in the bath

- prevents destruction of the equipment by overheating

5

Rotating heating element

microswitch preventing the device from running when there is no water in the bath

- effective cleaning when the body is tipped out
- easy access even to corners and time saving

Technical data sheet

Technical parameters



Pasta cooker electric 25 l without cabinet 400 V

Model

SAP Code

00000370

1. SAP Code:

00000370

2. Net Width [mm]:

600

3. Net Depth [mm]:

600

4. Net Height [mm]:

280

5. Net Weight [kg]:

42.00

6. Gross Width [mm]:

630

7. Gross depth [mm]:

690

8. Gross Height [mm]:

610

9. Gross Weight [kg]:

47.00

10. Device type:

Electric unit

11. Construction type of device:

Table top

12. Power electric [kW]:

7.500

13. Loading:

400 V / 3N - 50 Hz

14. Protection of controls:

IPX5

15. Device color:

Stainless steel

16. Material:

AISI 304 top plate and cladding

17. Indicators:

operation and warm-up

18. Worktop Thickness [mm]:

1.00

19. Basin volume [l]:

19

20. Basin dimensions [mm x mm x mm]:

GN 1/1-220

21. Device capacity [l]:

25.00

22. Maximum device temperature [°C]:

110

23. Minimum device temperature [°C]:

30

24. Number of power control stages:

4

25. Service accessibility:

Trough the frontal panel

26. Safety thermostat:

Yes

27. Adjustable feet:

Yes

28. Additional information:

baskets are not included - can be purchased

Technical data sheet

Technical parameters



Pasta cooker electric 25 l without cabinet 400 V

Model

SAP Code

00000370

29. Basin material:

AISI 316 - Stainless steel highly resistant to salt water

30. Heating element construction:

highly resistant heating elements
rotary heating element

31. Drain type:

On the front panel

32. Drain:

Yes

33. Safety drain:

Yes

34. Heating location:

Inside the tank

35. Width of internal part [mm]:

510

36. Depth of internal part [mm]:

310

37. Height of internal part [mm]:

220

38. Image for addition:

C43BF4C8-136D-4C73-BA8A-690C85C5B568