

Technical data sheet

Product features



Cooking range gas solid top 80

Model	SAP Code	00013620
--------------	-----------------	----------



- Device type: Gas unit
- Power consumption of the zone 1 [kW]: 12
- Ignition: Piezo+veĀĀnĀĀ plamen
- Material: AISI 304

SAP Code	00013620	Power gas [kW]	12.000
Net Width [mm]	800	Type of gas	Propane butane, natural gas
Net Depth [mm]	900	Number of zones	1
Net Height [mm]	280	Power consumption of the zone 1 [kW]	12
Net Weight [kg]	127.00		

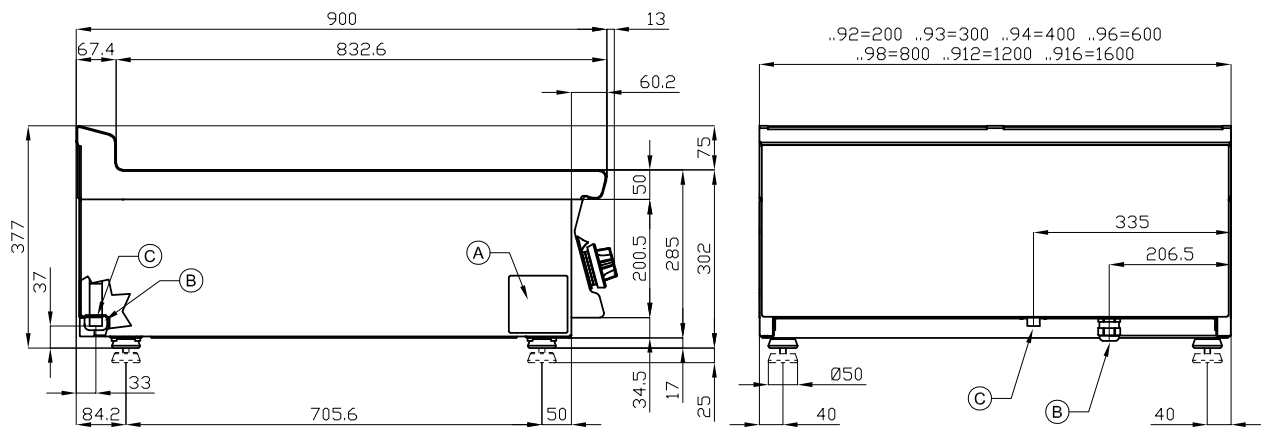
Technical data sheet

Technical drawing



Cooking range gas solid top 80

Model	SAP Code	00013620
--------------	-----------------	----------



A	Data plate		C	Gas connection	ISO 7-1 1/2" M
---	------------	--	---	----------------	----------------

Technical data sheet

Technical parameters



Cooking range gas solid top 80

Model

SAP Code

00013620

1. SAP Code:

00013620

2. Net Width [mm]:

800

3. Net Depth [mm]:

900

4. Net Height [mm]:

280

5. Net Weight [kg]:

127.00

6. Gross Width [mm]:

830

7. Gross depth [mm]:

970

8. Gross Height [mm]:

540

9. Gross Weight [kg]:

137.00

10. Device type:

Gas unit

11. Construction type of device:

Table top

12. Power gas [kW]:

12.000

13. Ignition:

Piezo+veÄŤnÄŤ plamen

14. Type of gas:

Propane butane, natural gas

15. Device color:

Stainless steel

16. Material:

AISI 304

17. Worktop type:

Molded - comfortable cleaning maintenance

18. Worktop material:

AISI 304

19. Number of zones:

1

20. Power consumption of the zone 1 [kW]:

12

21. Grid material:

Cast iron

22. Service accessibility:

From the front by removing the front panel and waste fluid containers

23. Safety thermocouple:

Yes

24. Adjustable feet:

Yes

25. Number of burners/hot plates:

1

26. Type of gas cooking zones:

Thales