

Technical data sheet

Product features



Electric grill water indirect 2 cooking areas 2x 38x52 without cabinet 400 V

Model	SAP Code	00005856
--------------	-----------------	----------



- Top type: Grooved
- Grid size [mm x mm]: 2 x 380 x 520
- Independent heating zones: Separate control for each heating zone
- Removable rim: Yes
- Removable grid: Yes

SAP Code	00005856	Power electric [kW]	12.000
Net Width [mm]	800	Loading	400 V / 3N - 50 Hz
Net Depth [mm]	705	Grid size [mm x mm]	2 x 380 x 520
Net Height [mm]	280	Top type	Grooved
Net Weight [kg]	77.00		

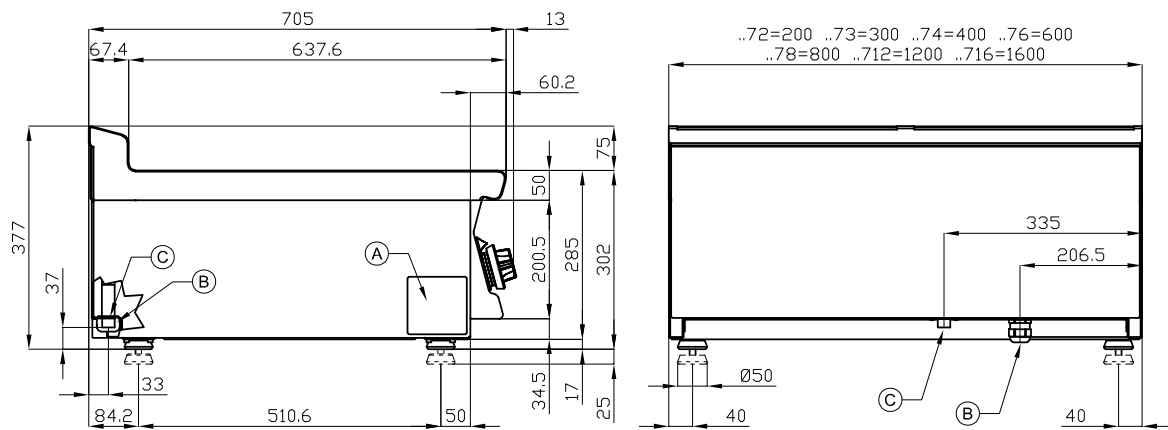
Technical data sheet

Technical drawing



Electric grill water indirect 2 cooking areas 2x 38x52 without cabinet 400 V

Model	SAP Code	00005856
--------------	-----------------	----------



A	Data plate		B	Electrical connection	
---	------------	--	---	-----------------------	--

Technical data sheet

Technical parameters



Electric grill water indirect 2 cooking areas 2x 38x52 without cabinet 400 V

Model

SAP Code

00005856

1. SAP Code:

00005856

2. Net Width [mm]:

800

3. Net Depth [mm]:

705

4. Net Height [mm]:

280

5. Net Weight [kg]:

77.00

6. Gross Width [mm]:

830

7. Gross depth [mm]:

770

8. Gross Height [mm]:

540

9. Gross Weight [kg]:

87.00

10. Device type:

Electric unit

11. Construction type of device:

Table top

12. Power electric [kW]:

12.000

13. Loading:

400 V / 3N - 50 Hz

14. Protection of controls:

IPX5

15. Material:

Stainless steel

16. Indicators:

operation and warm-up

17. Standard equipment for device:

comes with a stainless steel scraper for cleaning pastries

18. Number of power control stages:

7

19. Grid material:

Stainless steel

20. Service accessibility:

Trough the frontal panel

21. Safety element:

safety thermostat

22. Safety thermostat:

Yes

23. Adjustable feet:

Yes

24. Removable device container:

Yes

25. Independent heating zones:

Separate control for each heating zone

26. Removable rim:

Yes

27. Removable grid:

Yes

28. Grid size [mm x mm]:

2 x 380 x 520

Technical data sheet

Technical parameters



Electric grill water indirect 2 cooking areas 2x 38x52 without cabinet 400 V

Model	SAP Code	00005856
--------------	-----------------	----------

29. Grid shape:

special shape allowing the oil to drip into the water bath, protects the heating element

31. Top type:

Grooved

30. Uniform heating:

Yes