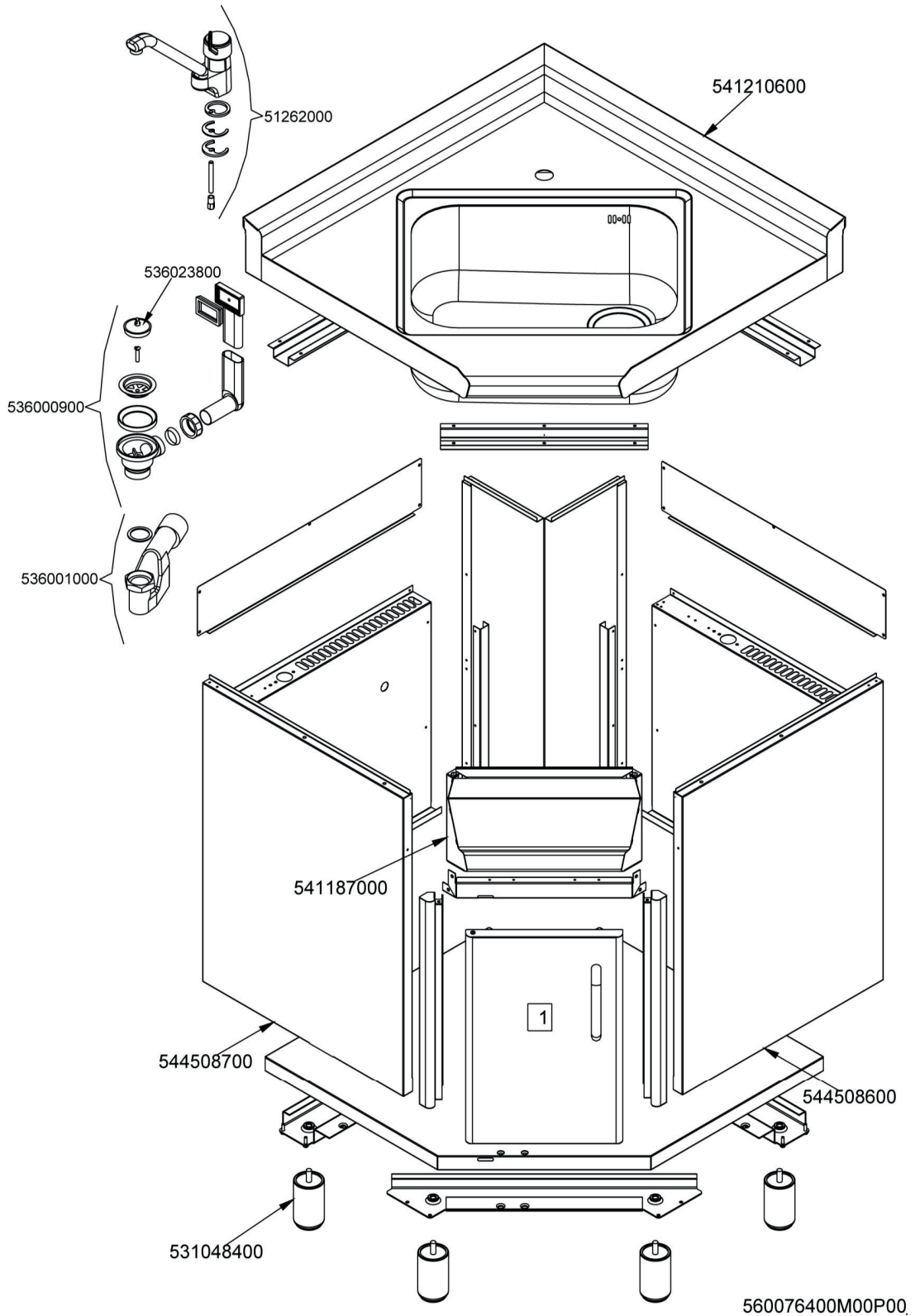


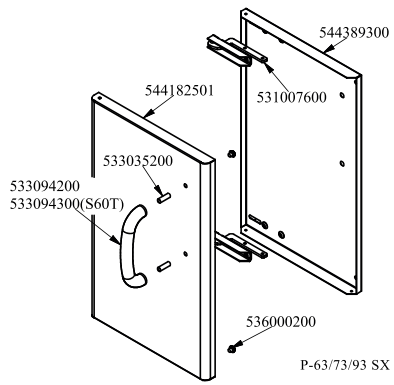


RM 600
 Platný od 1.5. 2019
 LAA-68

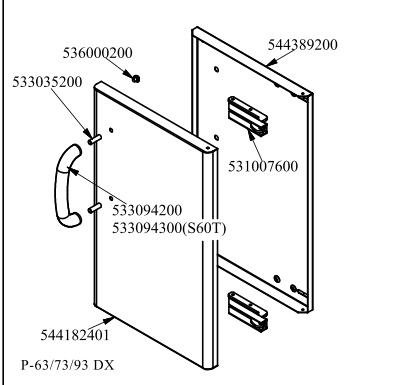




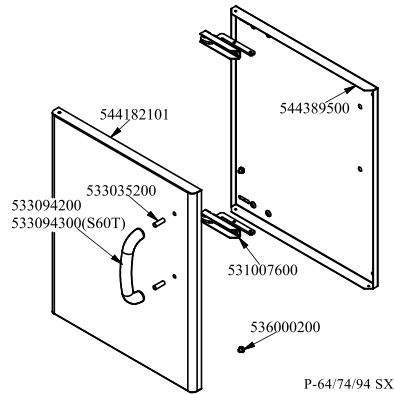
Objednací kód	Popis v ENG
541210600	UPPER PLATE FOR LAA-6 8
51262000	GL LEVER TAP FOR SINK
536023800	DRAIN CAP 1"1/2
536000900	UPPER DRAIN FOR SINK
536001000	DRAIN FOR SINK
541187000	CONTROL PANEL * 607090 LAA-6 8
544508700	
531048400	INOX LEG Ø1"3/4 100-165 M10
544508600	
-	-



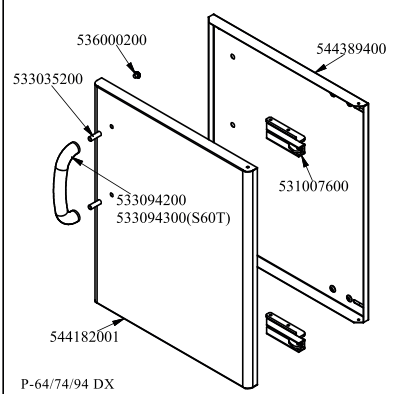
P-63/73/93 SX



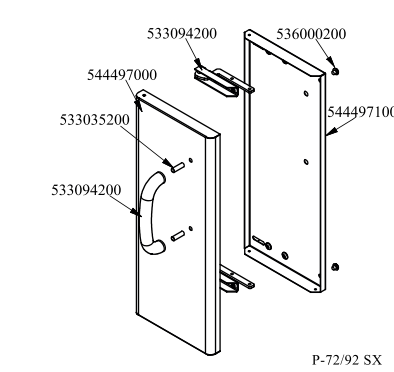
P-63/73/93 DX



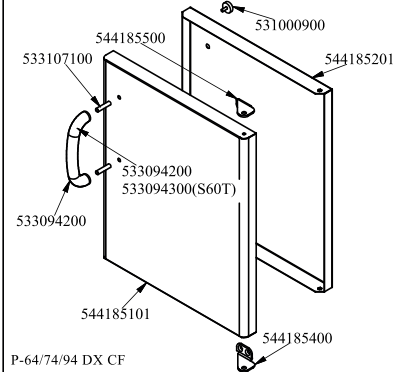
P-64/74/94 SX



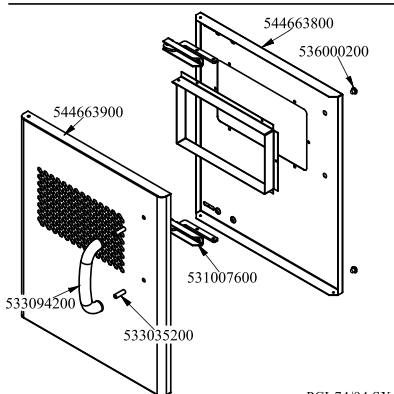
P-64/74/94 DX



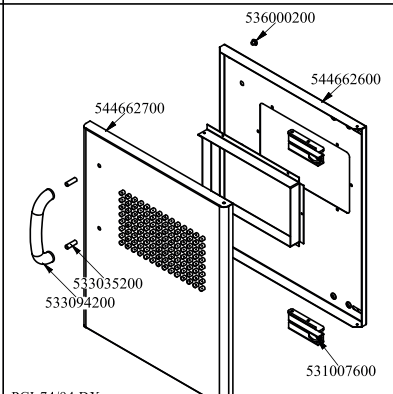
P-72/92 SX



P-64/74/94 DX CF



PCI-74/94 SX



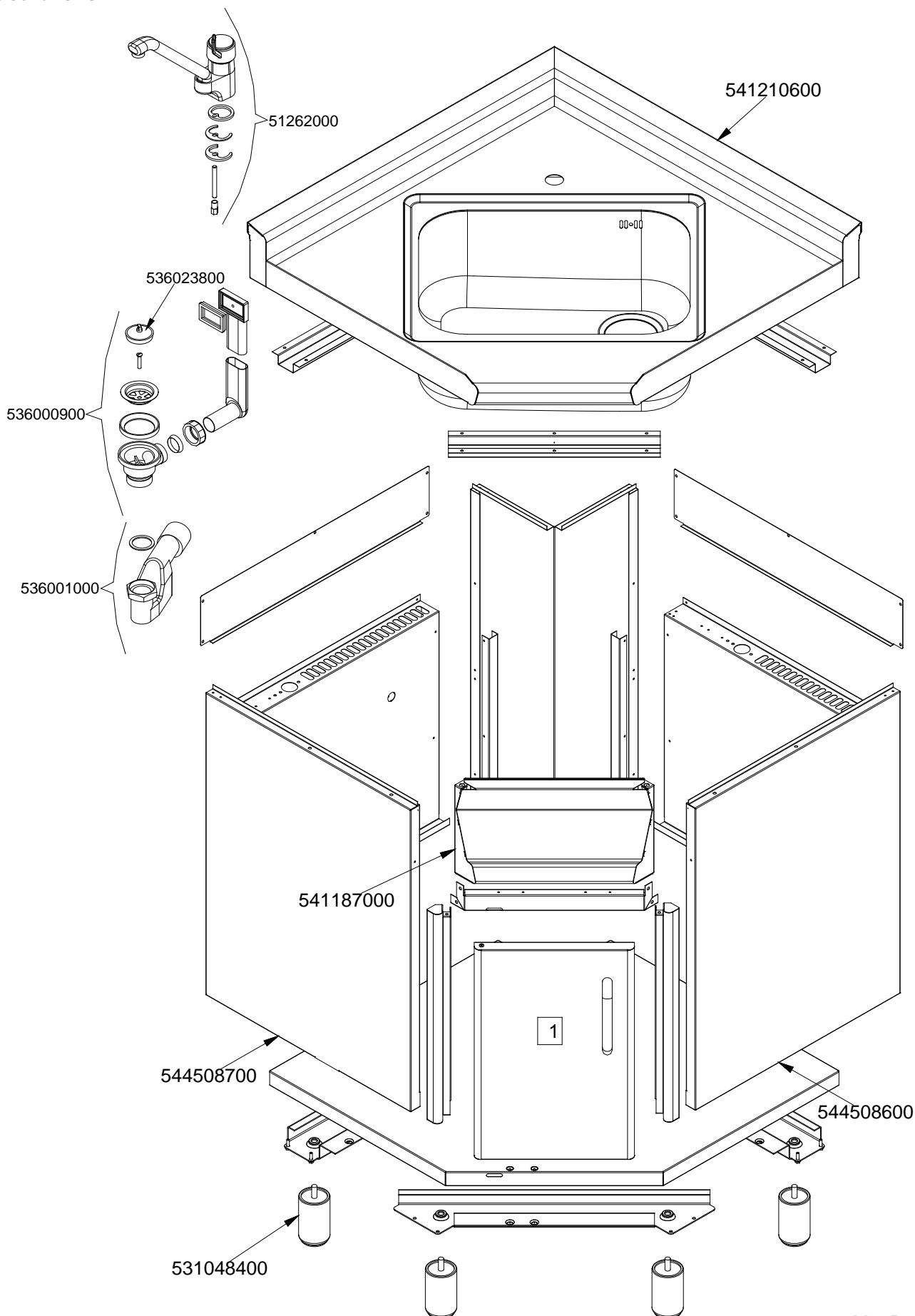
PCI-74/94 DX



Objednací kód	Popis v ENG
544185101	RIGHT DOOR 74 CF
533107100	HANDLE SPACER OF CF-70
533094200	S/S HANDLE FOR 70/90 SERIES
544185400	LOWER DOOR HINGE FOR COMPARTME CF70
544185500	UPPER DOOR HINGE FOR COMPARTME CF70
544185201	INNER DOOR * 74DX
531000900	MAGNET §22 KG.3 WITH DISK
536000200	D.12 H.4 BUMPER
544182001	RIGHT DOOR 74
531007600	DOOR HINGE
544389400	
533035200	HANDLE SPACER
544182101	LEFT DOOR 74
544389500	INNER-DOOR OF LHD 74
544182401	RIGHT DOOR 73
544389200	
544389300	
544182501	LEFT DOOR 73
544497000	
544497100	
544663900	LHD 74 DOOR FOR PCI
544663800	74 LHD OVEN INNER DOOR FOUR PCI
544662700	DOOR 74 DX PCI
544662600	
533094300	S/S HANDLE FOR 600T.LINE



LAA - 68
Platný od
1.5.2016
do 30.4.2019



LAA - 68 (1)
 Platný od
 1.5.2016
 do 30.4.2019

