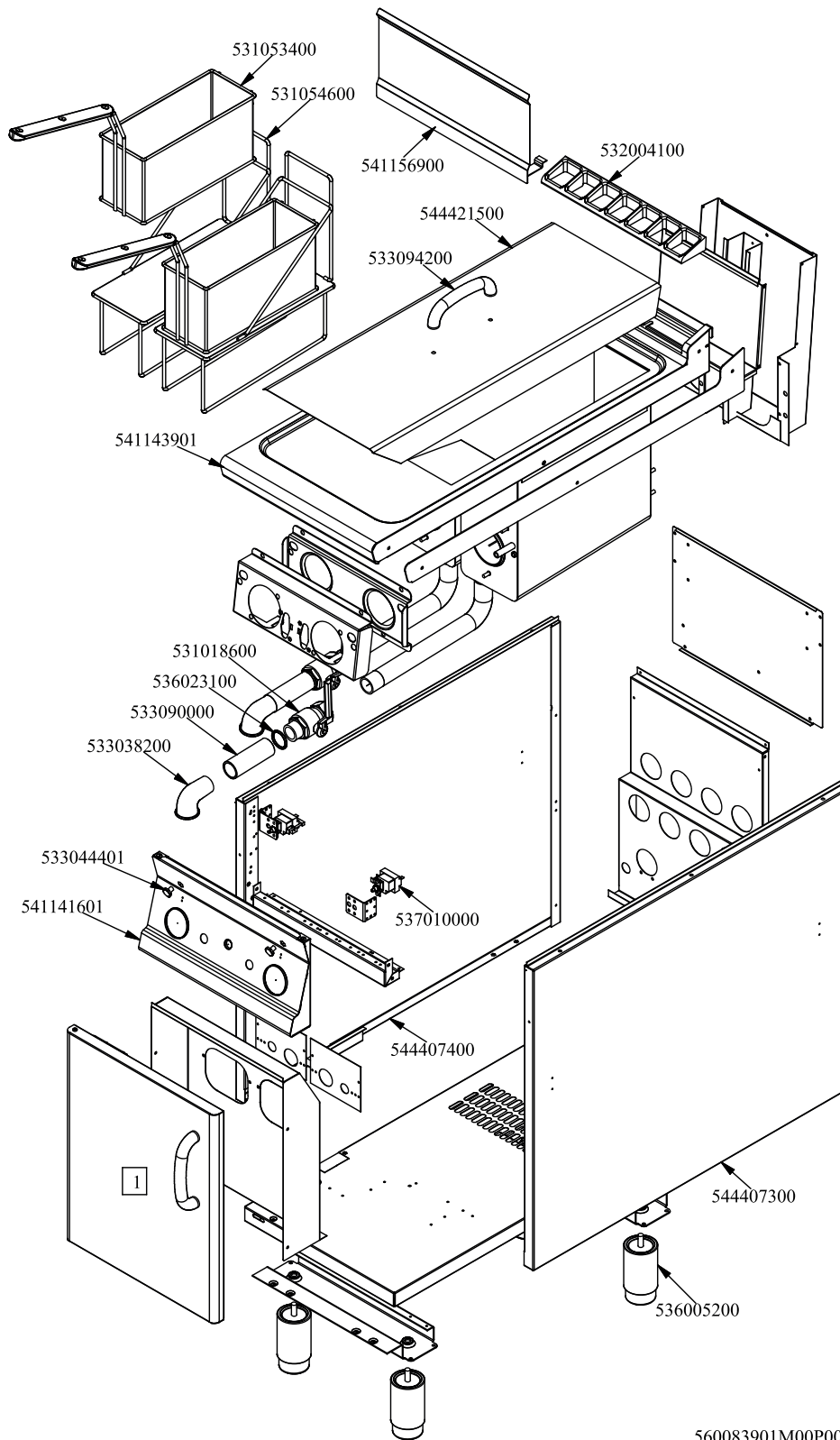


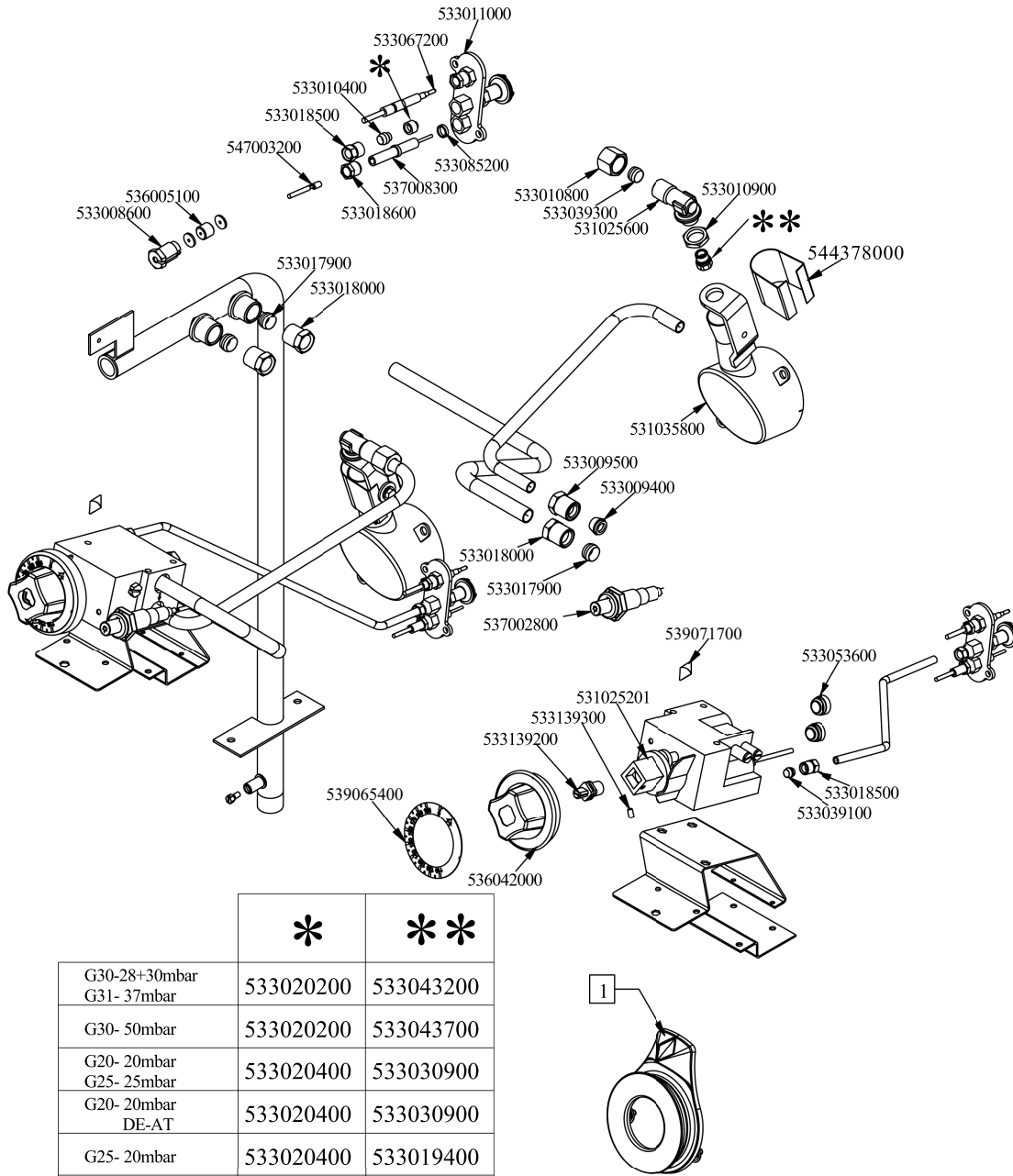
RM 900  
Platný od 1.5. 2019  
F2/8-94G



560083901M00P00



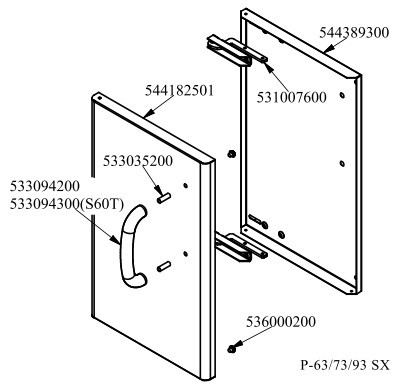
Objednací kód	Popis v ENG
536005200	INOX LEG 2" 120-180 M10
541141601	
533044401	M8 THREADED CAP FOR SEC.THERMOSTAT
537010000	SAFETY THERMOSTAT 220°C SINGLEPHASE
544421500	LID FOR FRYER 90 LINE
533094200	S/S HANDLE FOR 70/90 SERIES
531053400	BASKET FOR F2/8 G/E 121X301X150
531054600	TANK FILTER FOR BASKET F2/8-G
544407400	LEFT SIDE PANEL 70 LINE
531018600	BALL VALVE 1"G M-F CPM-62G
536023100	O-RING GASKET 31,34X3,53 VITON
533090000	
533038200	1" G M-F ELBOW FITTING
541143901	
544407300	RIGHT SIDE PANEL 90 LINE
532004100	FLUE GRID L=370 90LINE (RAF)
541156900	DISCHARGE PROTECTION S70
-	-



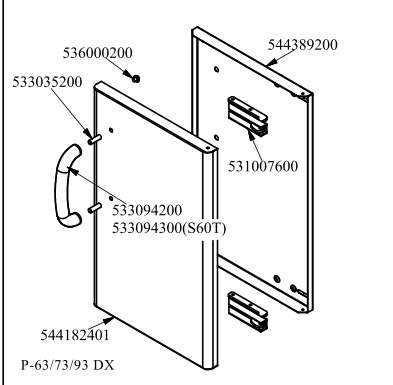
	*	**
G30-28+30mbar G31- 37mbar	533020200	533043200
G30- 50mbar	533020200	533043700
G20- 20mbar G25- 25mbar	533020400	533030900
G20- 20mbar DE-AT	533020400	533030900
G25- 20mbar	533020400	533019400
G25- 25mbar NL	533020400	533030200



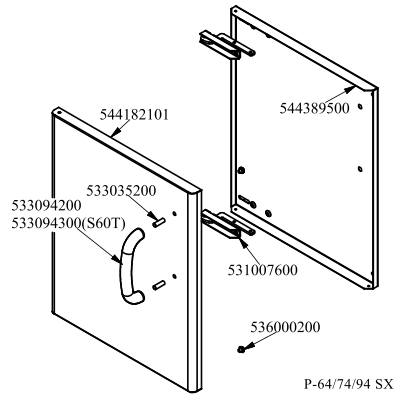
Objednací kód	Popis v ENG
533020200	PILOT JETS 0160 FOR LPG §30
533020400	NOZZLE 0160 (NATURAL GAS) 51
533043200	NOZZLE §110 G30 (LPG) CH12X14
533043700	NOZZLE §98 CH12*14 G-FQ/FP/CP65
533030900	NOZZLE §165 CH12X14 H-CW
533019400	NOZZLE §180 CH12*14 L-FQ5
533030200	NOZZLE §170 CH12*14 MH-FG L-FP/CW
547003200	HIGH-VOLTAGE CABLE TUBE.§2 L=500
533010800	TUBE NUT D.10 M16*1,5
533039300	BICONE §10
531025600	ELBOW 90° NOZZLE-HOLDER §10 PIPE
533010900	NUT M14*1 H.4
531035800	BURNER FOR FRYER F13T
533008600	STUFFING BOX M9*1
536005100	GRAPHITE §07,4 GASKET
533017900	BICONE D.12
533018000	ELBOW FOR BICONE D.12 3/8 RS L20
536042000	SILVER CHROM. KNOB Ø77 4P.G.Ø8SX6,5
533009500	NIPPLE FOR BICONE 10S
533009400	BICONE 10S
537002800	PIEZOELECTRIC IGNITION M18 WITH NUT
539071700	ADHES.LABEL FOR RING GREEN SIGN.
533011000	PILOT BURNER 3 FLAMES 320
533018500	FITTING FOR BICONE D.6 M10*1
533010400	BICONE D.6
533085200	SPACER FOR PILOT PLUG
537008300	ROUND PLUG §2,4- LONG ELECTRODE
533018600	PLUG FITTING
533067200	THERMOCOUPLE 220+500 M9*1 CUT-OFF
533039100	BICONE §6
533053600	EUROSIT VALVE PLUG
544378000	BUSH FOR BURNER AIR-REGULATION F13T
539065400	BLACK STICKING DISK 72 (110,190°)
531025201	EUROSIT VALVE FQ 110-190°C
533139200	SHORT PIVOT FOR BRASS KNOB
533139300	BURNISH HEADLESS SCREW M05*05 PCEI
-	-



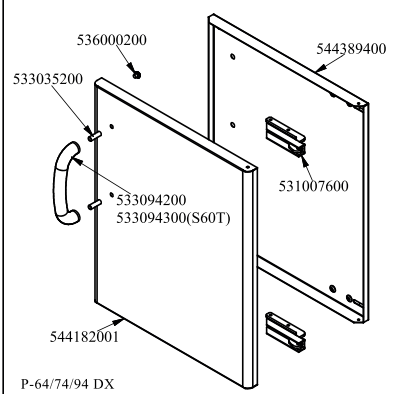
P-63/73/93 SX



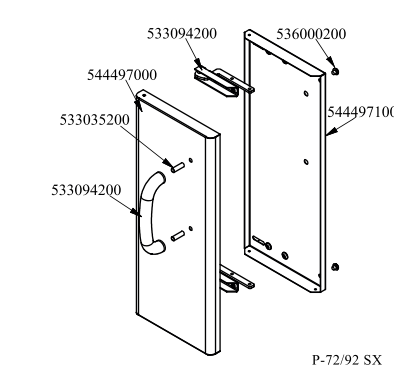
P-63/73/93 DX



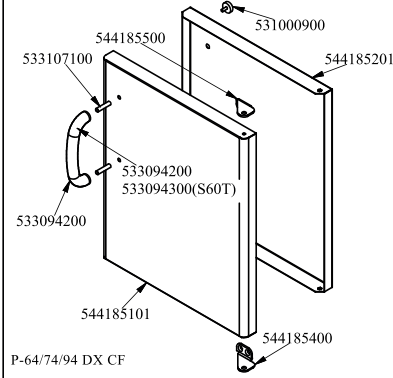
P-64/74/94 SX



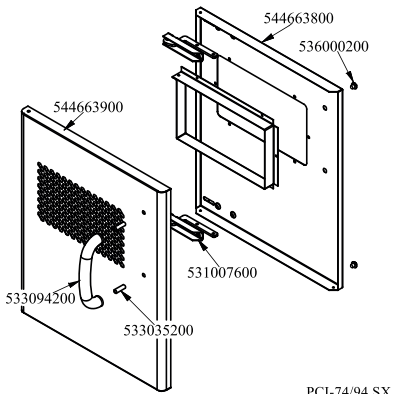
P-64/74/94 DX



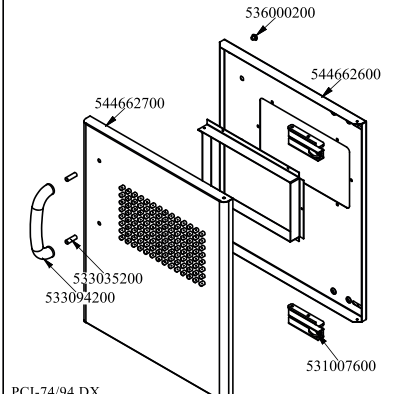
P-72/92 SX



P-64/74/94 DX CF



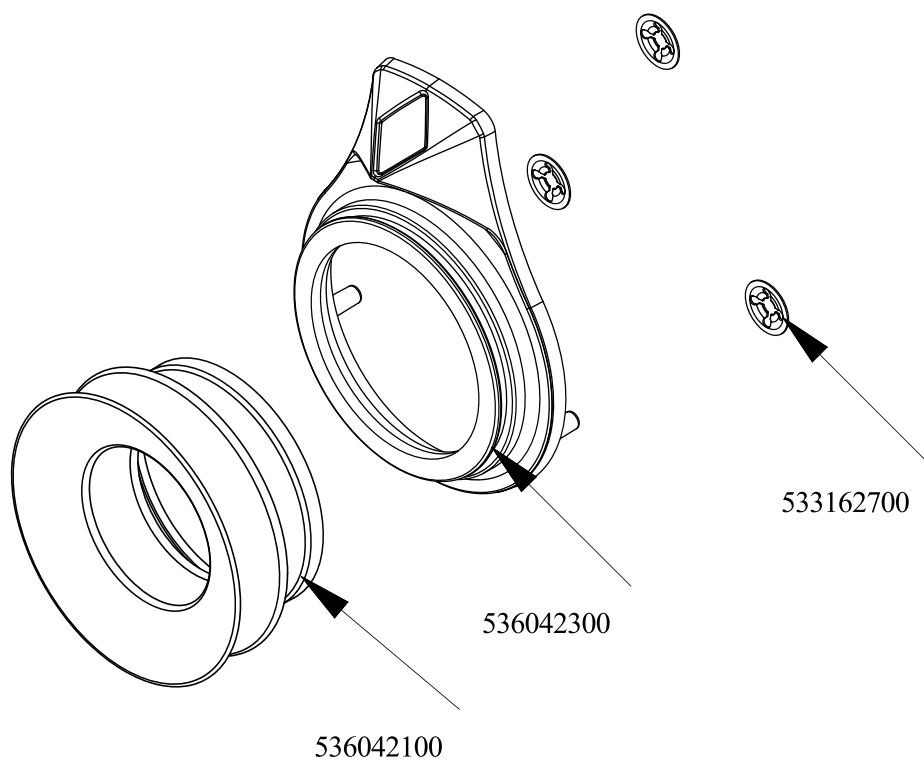
PCI-74/94 SX



PCI-74/94 DX



Objednačí kód	Popis v ENG
544185101	RIGHT DOOR 74 CF
533107100	HANDLE SPACER OF CF-70
533094200	S/S HANDLE FOR 70/90 SERIES
544185400	LOWER DOOR HINGE FOR COMPARTME CF70
544185500	UPPER DOOR HINGE FOR COMPARTME CF70
544185201	INNER DOOR * 74DX
531000900	MAGNET §22 KG.3 WITH DISK
536000200	D.12 H.4 BUMPER
544182001	RIGHT DOOR 74
531007600	DOOR HINGE
544389400	
533035200	HANDLE SPACER
544182101	LEFT DOOR 74
544389500	INNER-DOOR OF LHD 74
544182401	RIGHT DOOR 73
544389200	
544389300	
544182501	LEFT DOOR 73
544497000	
544497100	
544663900	LHD 74 DOOR FOR PCI
544663800	74 LHD OVEN INNER DOOR FOUR PCI
544662700	DOOR 74 DX PCI
544662600	
533094300	S/S HANDLE FOR 600T.LINE



560125700M00P00

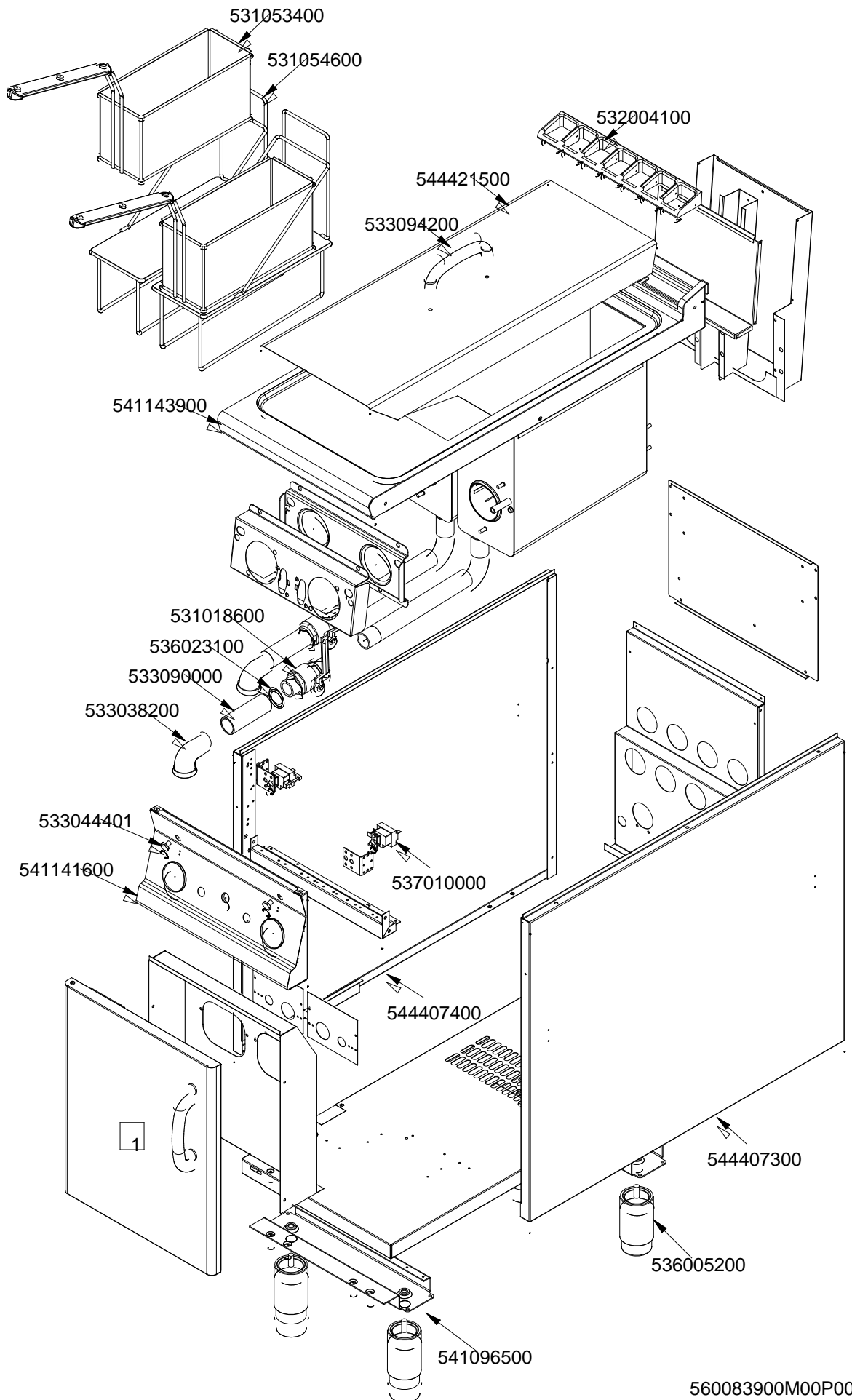


Objednačí kód	Popis v ENG
536042300	SILVER CHROM. RING FOR KNOB Ø77 4 P
536042100	SEAL CASING FOR KNOB Ø77 4 P
533162700	PROCESSING CODE



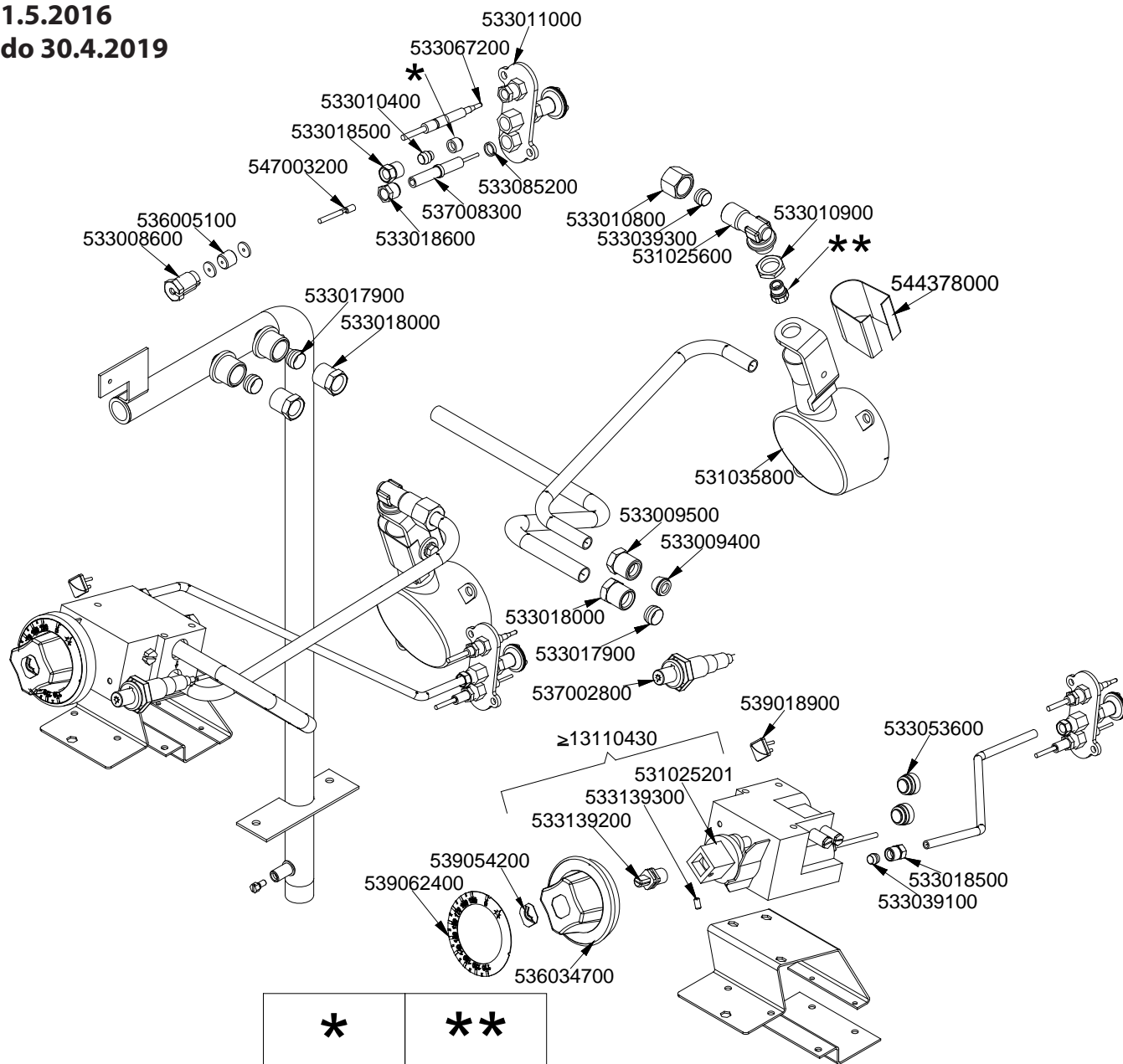


F2/8 - 94 G  
Platný od  
1.5.2016  
do 30.4.2019

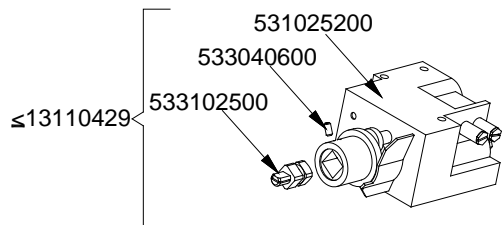




**F2/8 - 94 G**  
**Platný od**  
**1.5.2016**  
**do 30.4.2019**

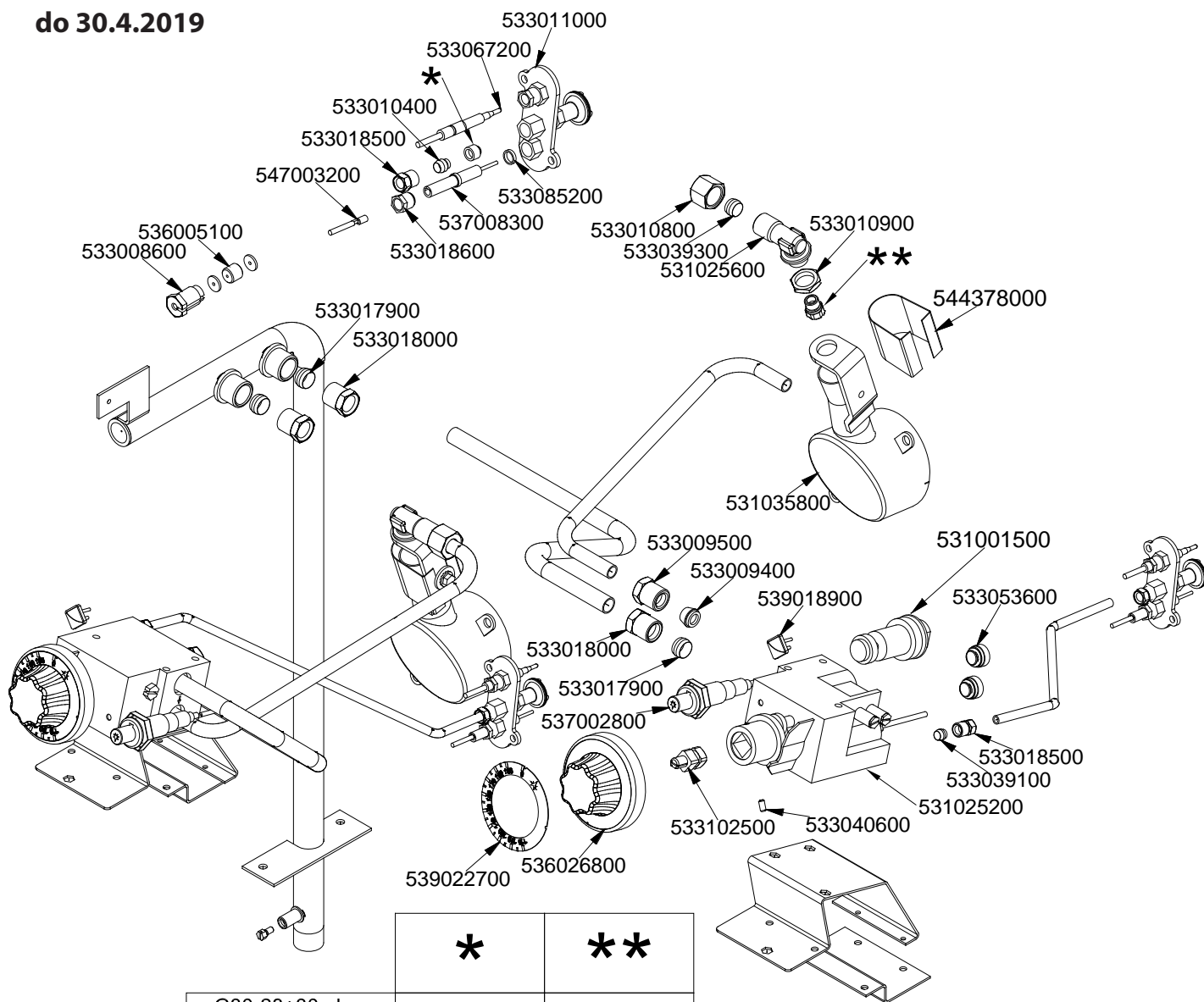


	*	**
G30-28+30mbar G31- 37mbar	533020200	533043200
G30- 50mbar	533020200	533043700
G20- 20mbar G25- 25mbar	533020400	533030900
G20- 20mbar DE-AT	533020400	533030900
G25- 20mbar	533020400	533019400
G25- 25mbar NL	533020400	533030200





**F2/8 - 94 G**  
**Platný od**  
**1.5.2016**  
**do 30.4.2019**

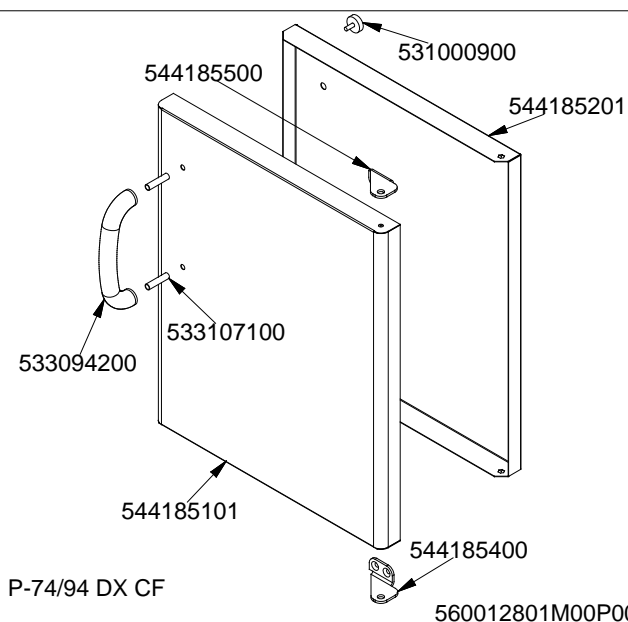
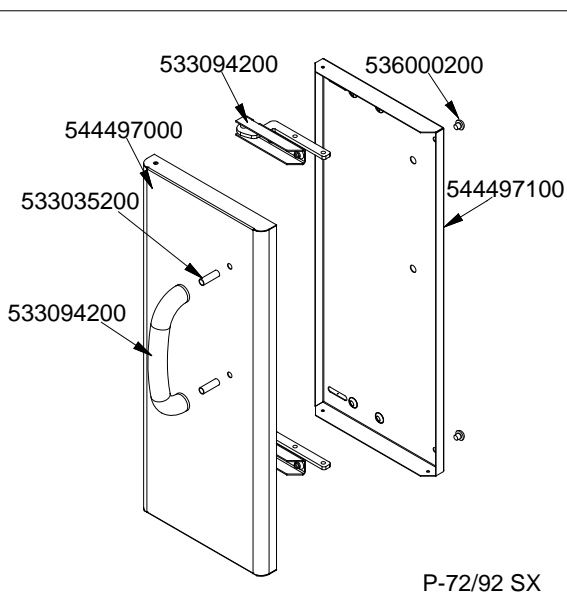
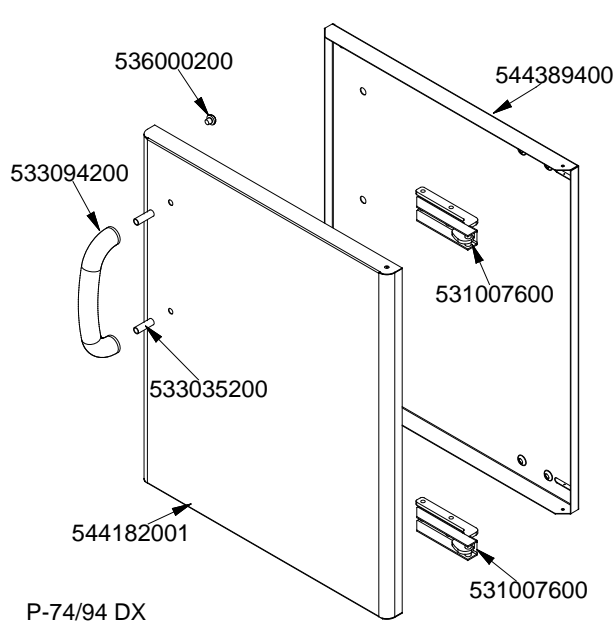
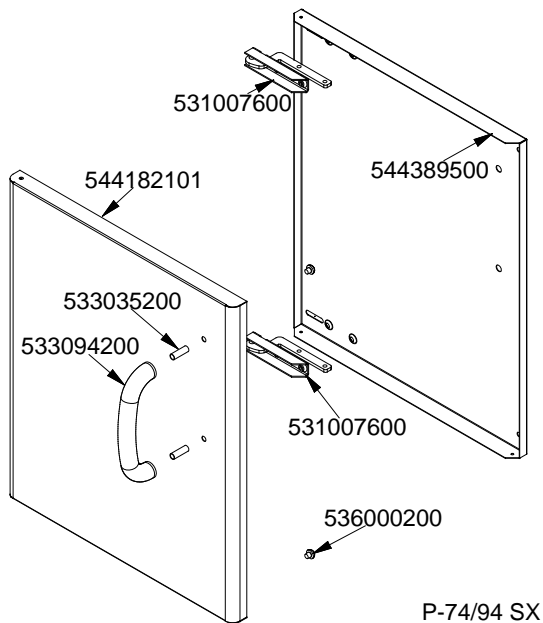
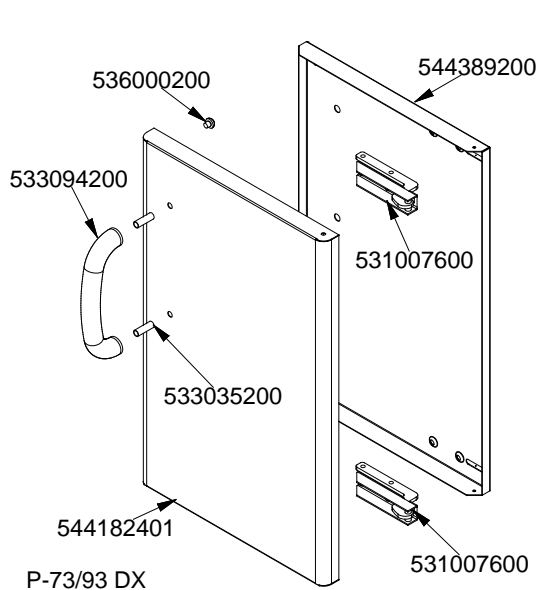
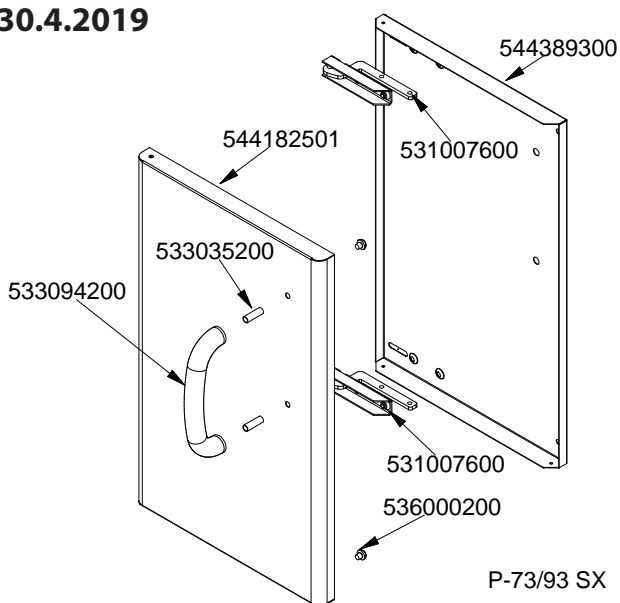


	*	**
G30-28+30mbar G31- 37mbar	533020200	533043200
G30- 50mbar	533020200	533043700
G20- 20mbar G25- 25mbar	533020400	533030900
G20- 20mbar DE-AT	533020400	533030900
G25- 20mbar	533020400	533019400
G25- 25mbar NL	533020400	533030200

560084000M00P00.

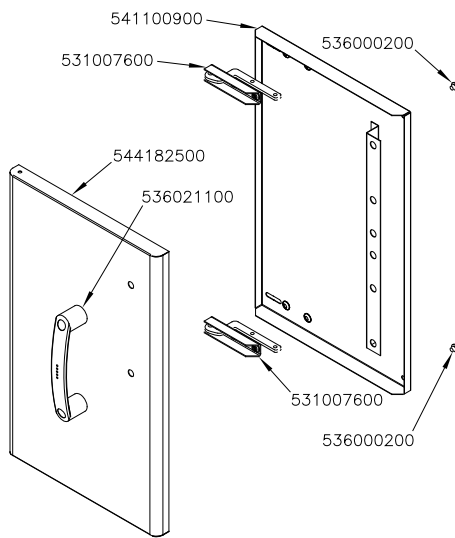


F2/8 - 94 G  
 Platný od  
 1.5.2016  
 do 30.4.2019

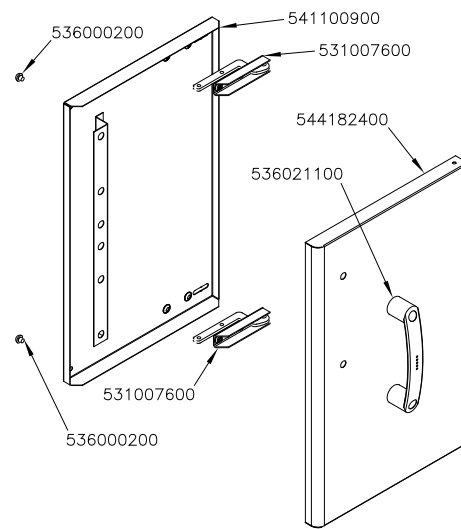




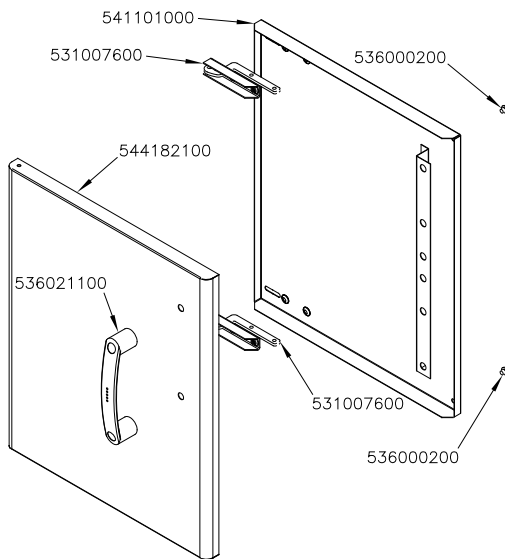
**F2/8 - 94 G dveře**  
**N° do 0601**  
**Platný od**  
**1.5.2016**  
**do 30.4.2019**



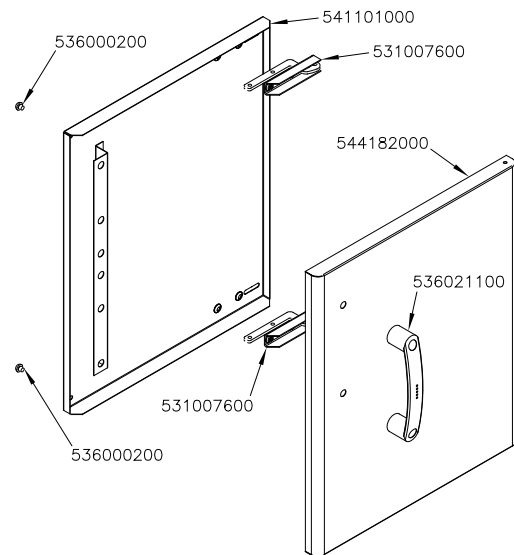
P-73/93 SX



P-73/93 DX

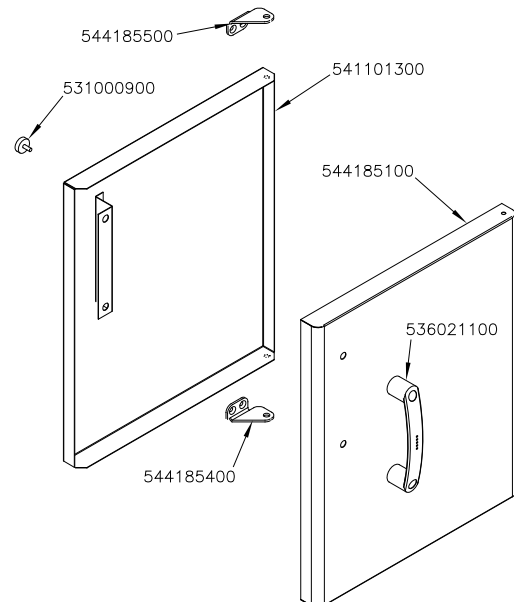


P-74/94 SX



P-74/94 DX

560012800M00P00



P-74/94 DX CF