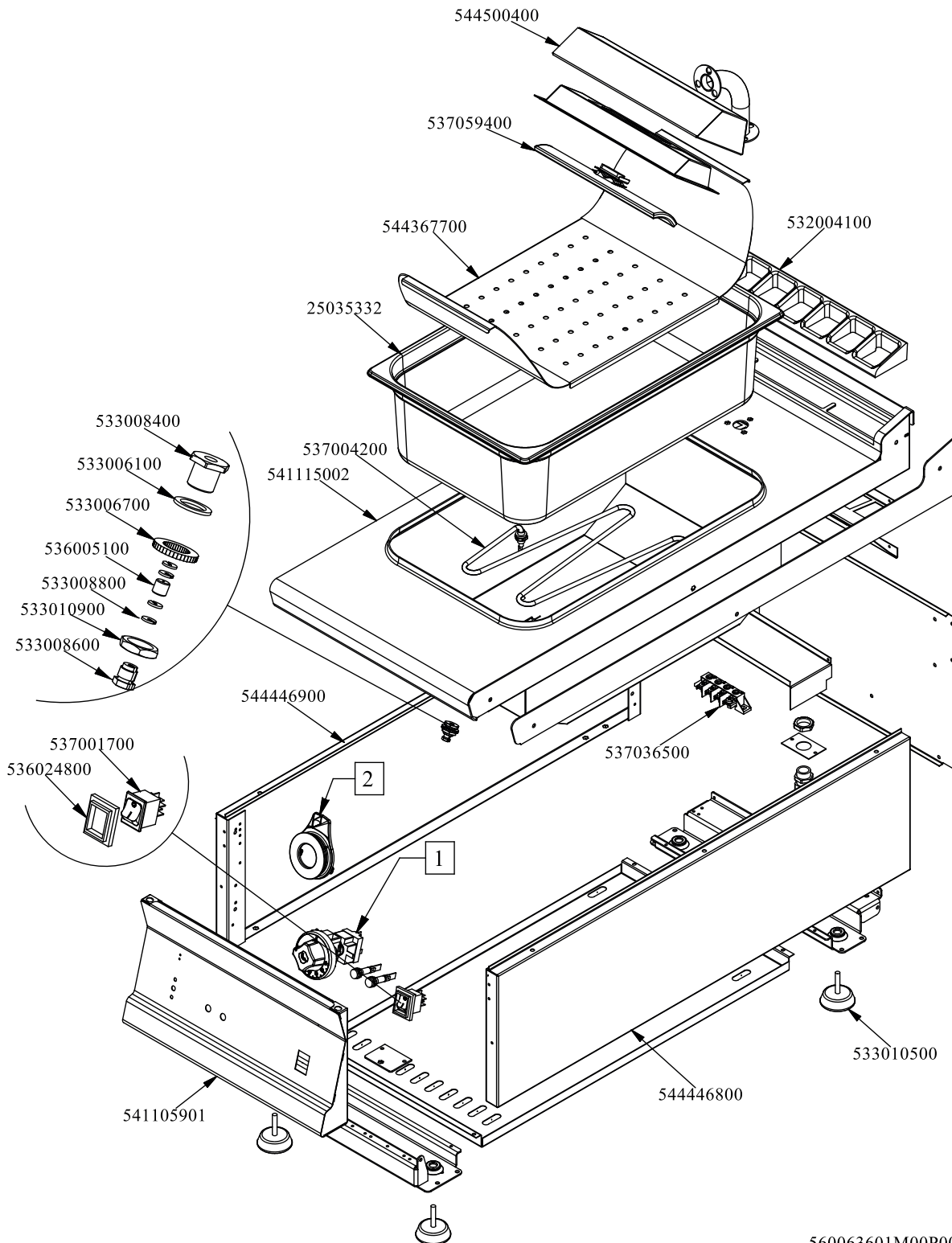
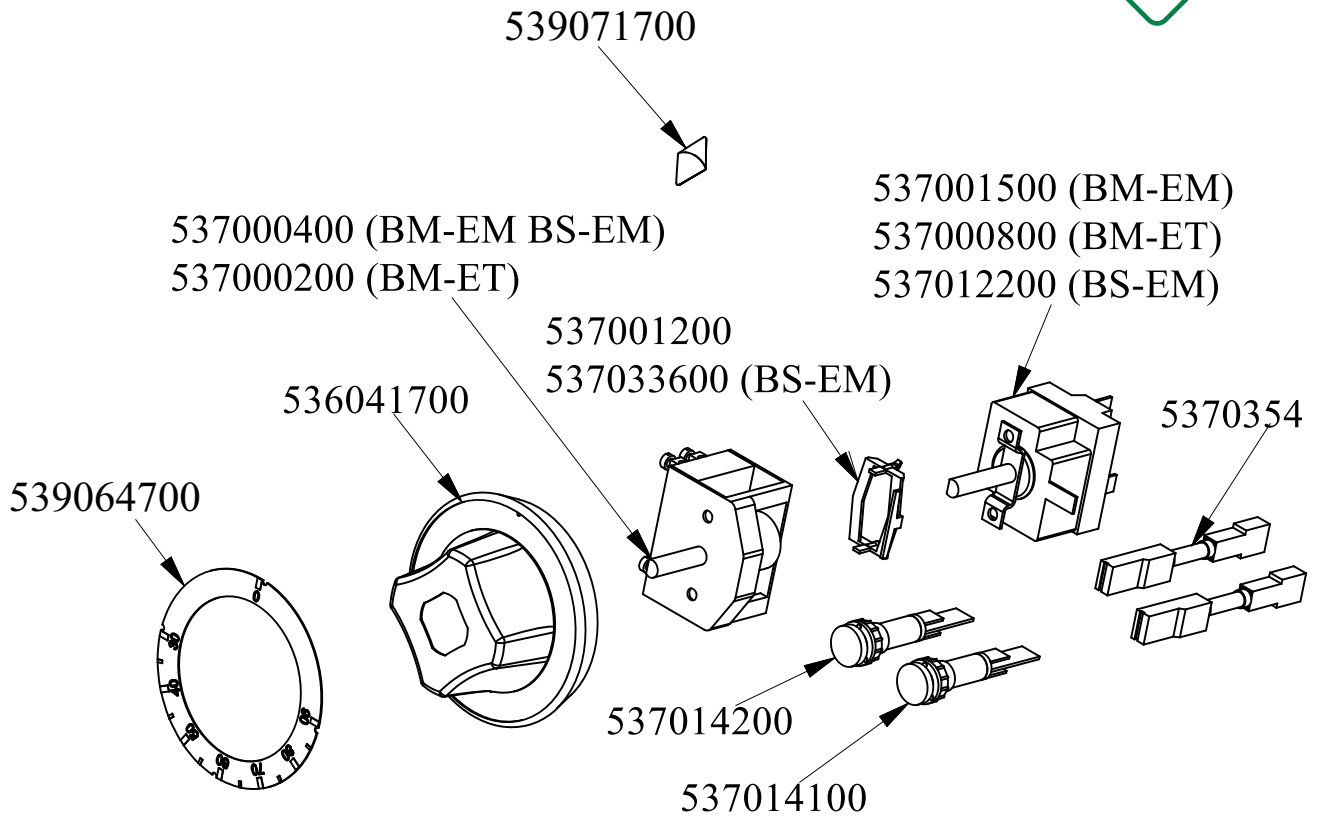


RM 900
 Platný od 1.5. 2019
 BST-94EM





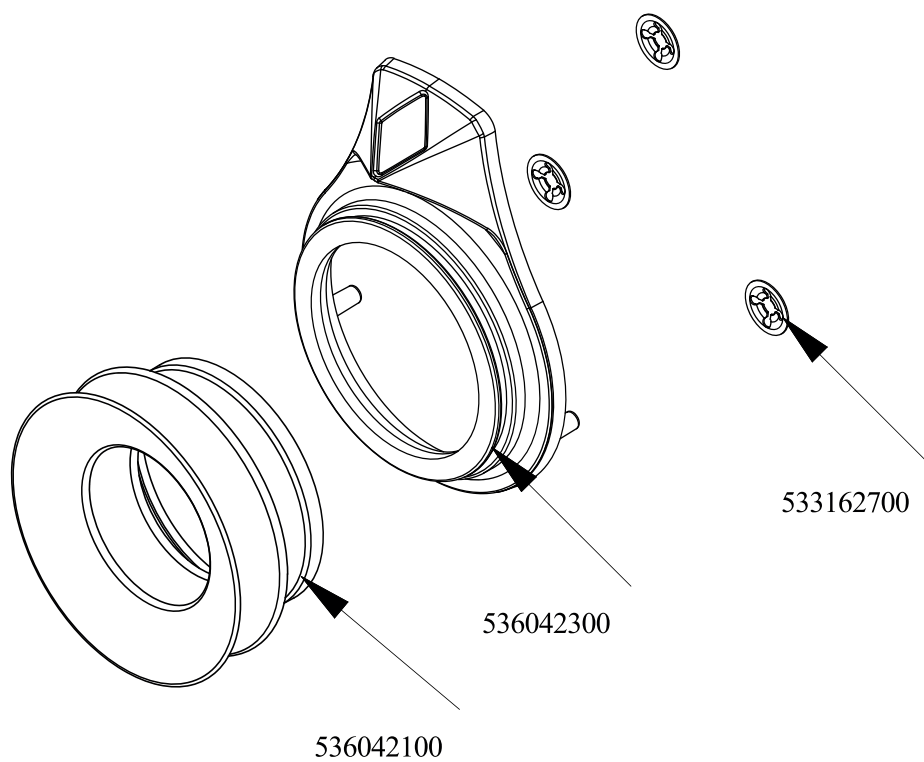
Objednací kód	Popis v ENG
537001700	GREENLIGHTED BIPOLAR SWITCH
536024800	HOOD WITH SWITCH FRAME
533006100	GASKET D.20
533006700	NOTCHED WASHER D.14
533010900	NUT M14*1 H.4
533008600	STUFFING BOX M9*1
533008800	WASHER FOR STUFFING BOX §7.7
533008400	LOCK NUT M14*1-M9*1
536005100	GRAPHITE §07,4 GASKET
544446900	LHD SIDE FOR 90T APPLIANCES
537059400	CERAM.HEAT.ELEMENT BS74E 650W 1-230
541115002	
537036500	TERMINAL BLOCK 4POLES 40A SCREW-SCR
533010500	LEG M10*25 D.40
544446800	
541105901	
25035332	GN-1/1 CONTAINER H.150
544367700	FALSE BOTTOM GN1/1 VERT.BS-74EM
544500400	EXTERNAL BOX FOR BS-ELEMENTS
532004100	FLUE GRID L=370 90LINE (RAF)
537004200	HEATING ELEMENT W823 V230 BM
-	-
-	-



560100002M00P00



Objednací kód	Popis v ENG
539064700	BLACK STICKING DISK 72 (030,090°)
536041700	SILVER CHROM. KNOB Ø77 4P.G.Ø06X4,6
537000400	COMMUTATOR 1POS.SINGLEPHASE S49 16A
537000200	COMMUTATOR 1 POS. 3PHASE S.49 16A
539071700	ADHES.LABEL FOR RING GREEN SIGN.
537014200	GREEN WARNING LIGHT 250V
537014100	WHITE WARNING LIGHT 250V
537001200	FIXING BRACKET FOR THERMOSTAT/COMM.
537033600	FIXING BRACKET FOR THERMOSTAT/COMM.
537001500	THERMOSTAT 30-90°C SINGLEPHASE
537000800	THERMOSTAT 30-90°C THREEPHASE
537012200	THERMOSTAT 30/110°C SINGLEPHASE
537035400	HEATING ELEMENT 00003W 330KOHM W/F



560125700M00P00



Objednačí kód	Popis v ENG
536042300	SILVER CHROM. RING FOR KNOB Ø77 4 P
536042100	SEAL CASING FOR KNOB Ø77 4 P
533162700	PROCESSING CODE