

Technical data sheet

Product features



Electric fryer

Model	SAP Code	00008191
--------------	-----------------	----------



- Basin volume [l]: 13
- Drain type: On the front panel
- Safety drain: Yes
- Maximum device temperature [°C]: 190
- Minimum device temperature [°C]: 50
- Material: AISI 304
- Heating location: Inside the tank
- Number of baskets: 1
- Basket dimensions [mm x mm x mm]: 280 x 295

SAP Code	00008191	Loading	400 V / 3N - 50 Hz
Net Width [mm]	400	Basin volume [l]	13
Net Depth [mm]	730	Number of basins	1
Net Height [mm]	313	Number of baskets	1
Net Weight [kg]	24.20	Basket dimensions [mm x mm x mm]	280 x 295
Power electric [kW]	12.500	Ratio power/volume [kW/l]	0.96

Technical data sheet

Technical drawing

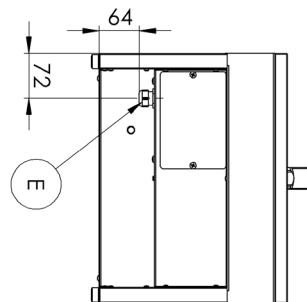
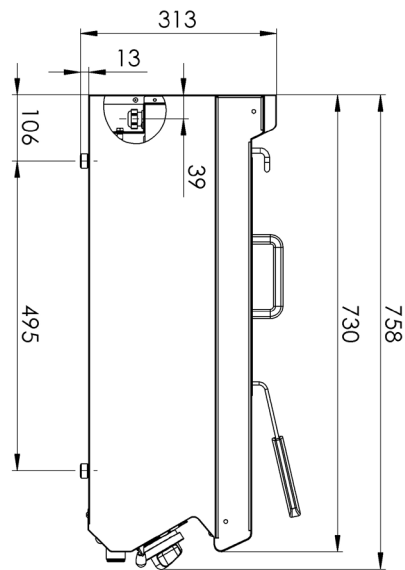
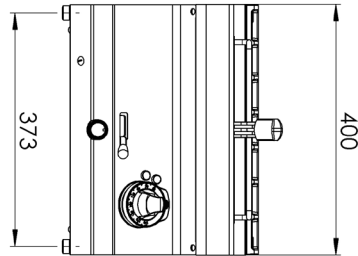


Electric fryer

Model

SAP Code

00008191



Technical data sheet

Technical parameters



Electric fryer

Model

SAP Code

00008191

1. SAP Code:

00008191

2. Article group:

Fryers

3. Net Width [mm]:

400

4. Net Depth [mm]:

730

5. Net Height [mm]:

313

6. Net Weight [kg]:

24.20

7. Gross Width [mm]:

440

8. Gross depth [mm]:

800

9. Gross Height [mm]:

480

10. Gross Weight [kg]:

29.00

11. Device type:

Electric unit

12. Construction type of device:

Table top

13. Power electric [kW]:

12.500

14. Loading:

400 V / 3N - 50 Hz

15. Protection of controls:

IP24

16. Device color:

Stainless steel

17. Material:

AISI 304

18. Indicators:

operation and warm-up

19. Worktop type:

Molded - comfortable cleaning maintenance

20. Worktop material:

AISI 304

21. Worktop Thickness [mm]:

1.50

22. Surface finish:

polished stainless steel

23. Device heating type:

Direct

24. Standard equipment for device:

lid and basket

25. Basin volume [l]:

13

26. Basin dimensions [mm x mm x mm]:

308 x 338 x 199

27. Device capacity [l]:

13.00

28. Maximum device temperature [°C]:

190

Technical data sheet

Technical parameters



Electric fryer

Model

SAP Code

00008191

29. Minimum device temperature [°C]:

50

30. Service accessibility:

Trough the frontal panel

31. Safety thermostat:

Yes

32. Safety thermostat up to x ° C:

235

33. Heating element material:

Stainless steel

34. Number of baskets:

1

35. Number of basins:

1

36. Basket dimensions [mm x mm x mm]:

280 x 295

37. Basin material:

AISI 304 - High quality stainless steel

38. Ratio power/volume [kW/l]:

0.96

39. Drain type:

On the front panel

40. Safety drain:

Yes

41. Heating location:

Inside the tank