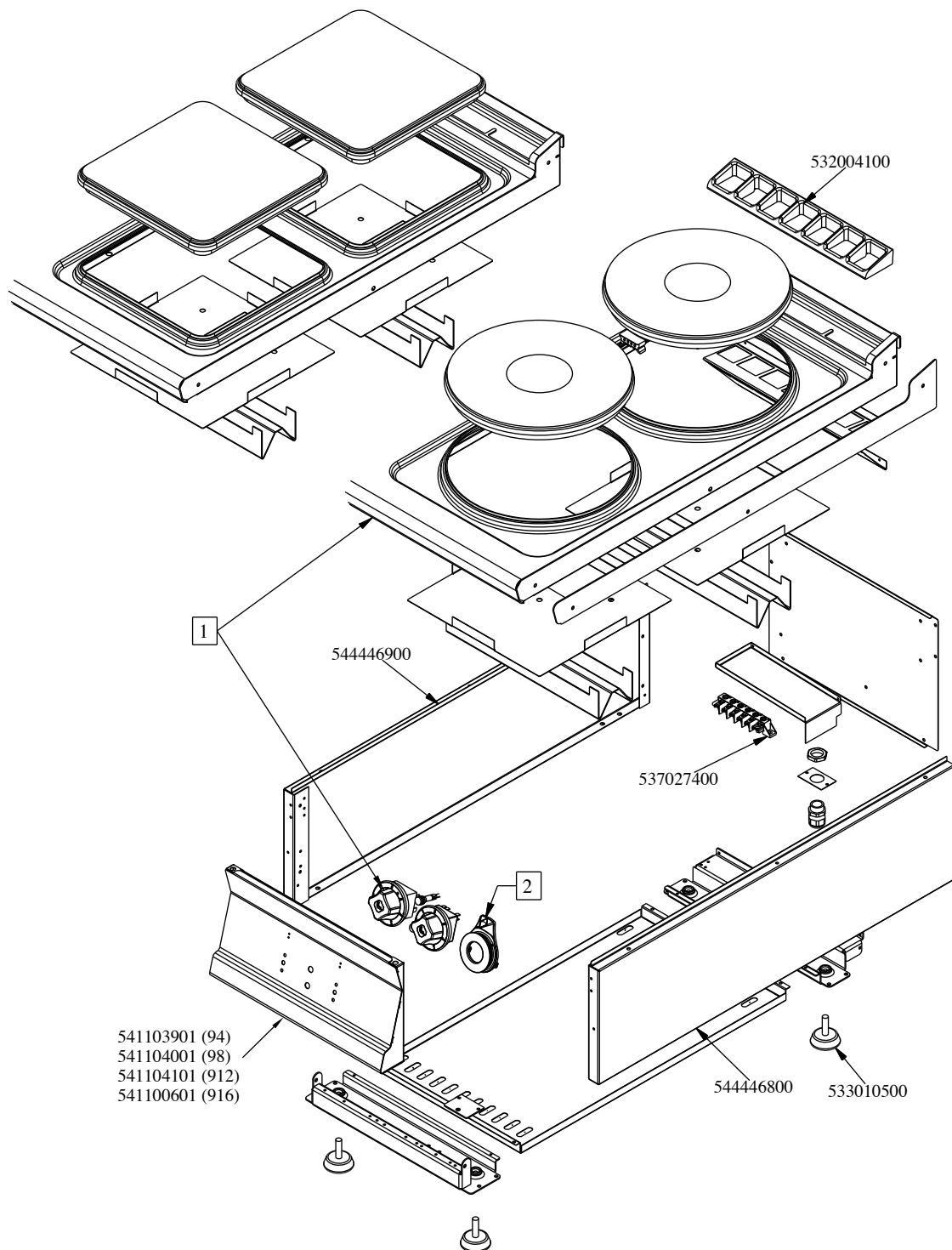


PCQT-94ET

2021_11

1





PCQT-94ET

2021_11

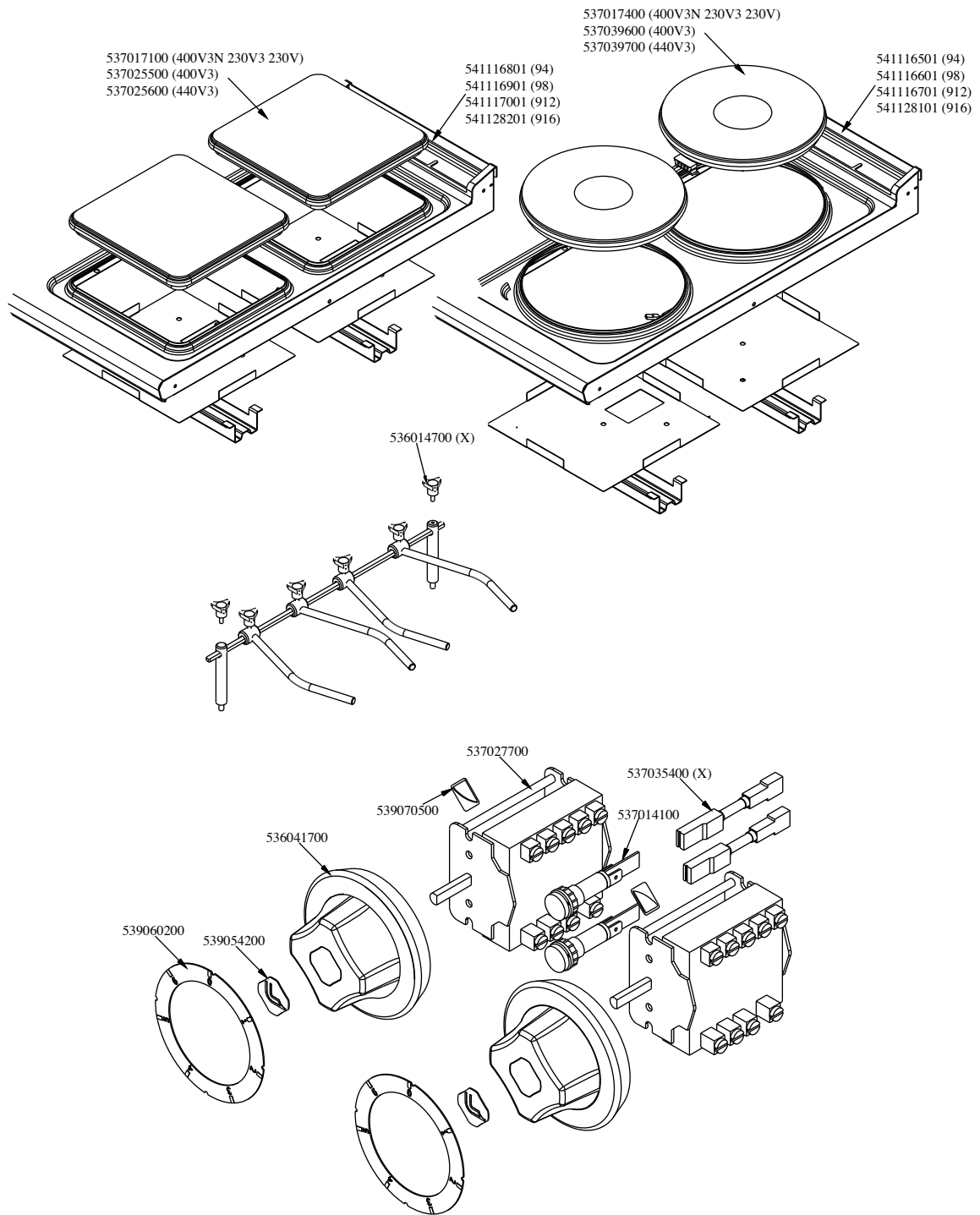
1

| Kod | Nazev |
|-----------|-------------------------------|
| 541103901 | ASS.CRUSC.S607090 PC-9 4E |
| 544446800 | FIANCO APP.S90T DX |
| 533010500 | LEG M10*25 D.40 |
| 537027400 | TERMINAL BLOCK THREEPHASE 40A |
| 544446900 | LHD SIDE FOR 90T APPLIANCES |
| 532004100 | FLUE GRID L=370 90LINE (RAF) |

PCQT-94ET

2021_11

2





PCQT-94ET

2021_11

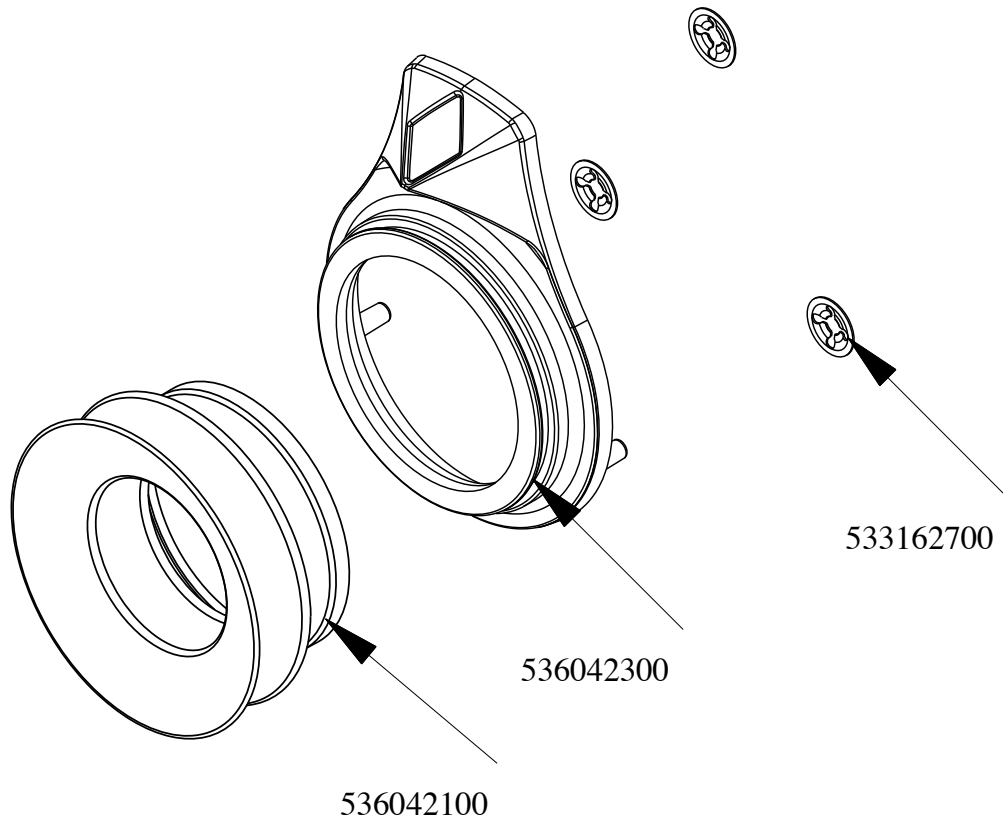
2

| Kod | Nazev |
|-----------|-------------------------------------|
| 539070500 | ADHES.LABEL FOR RING RED SIGN. |
| 537014100 | WHITE WARNING LIGHT 250V |
| 537035400 | HEATING ELEMENT 00003W 330KOHM W/F |
| 537027700 | COMMUTATOR 7 POSITIONS S.43 32A |
| 536041700 | SILVER CHROM. KNOB Ø77 4P.G.Ø06X4,6 |
| 539054200 | STAMP Ø20,5 CR."L" LOTUS R. |
| 539060200 | RED ADESIVE DISK FOR PC-E |
| 536014700 | 3 DRILL WHEELS |
| 537017100 | PLATE 300X300 W4000 V230 |
| 537025500 | PLATE 300X300 W4000 V400 |
| 537025600 | PLATE 300X300 W4000 V440 |
| 537017400 | ELECTRICAL PLATE D.300 W3500 V230 |
| 537039600 | ELECTRICAL PLATE D.300 W3500 V400 |
| 537039700 | ELECTRICAL PLATE D.300 W3500 V440 |
| 541116501 | ASS.PIANO S90 PC-94E |
| 541116601 | ASS.PIANO S90 PC-98E |
| 541116701 | ASS.PIANO S90 PC-912ET |
| 541128101 | ASS.PIANO S90 PC-916ET |
| 541116801 | ASS.PIANO S90 PCQ-9 4E |
| 541116901 | ASS.PIANO S90 PCQ-9 8E |
| 541117001 | ASS.PIANO S90 PCQ-912E |
| 541128201 | ASS.PIANO S90 PCQ-916E |

PCQT-94ET

2021_11

3





PCQT-94ET

2021_11

3

| Kod | Nazev |
|-----------|-------------------------------------|
| 536042300 | SILVER CHROM. RING FOR KNOB Ø77 4 P |
| 536042100 | SEAL CASING FOR KNOB Ø77 4 P |
| 533162700 | PROCESSING CODE |