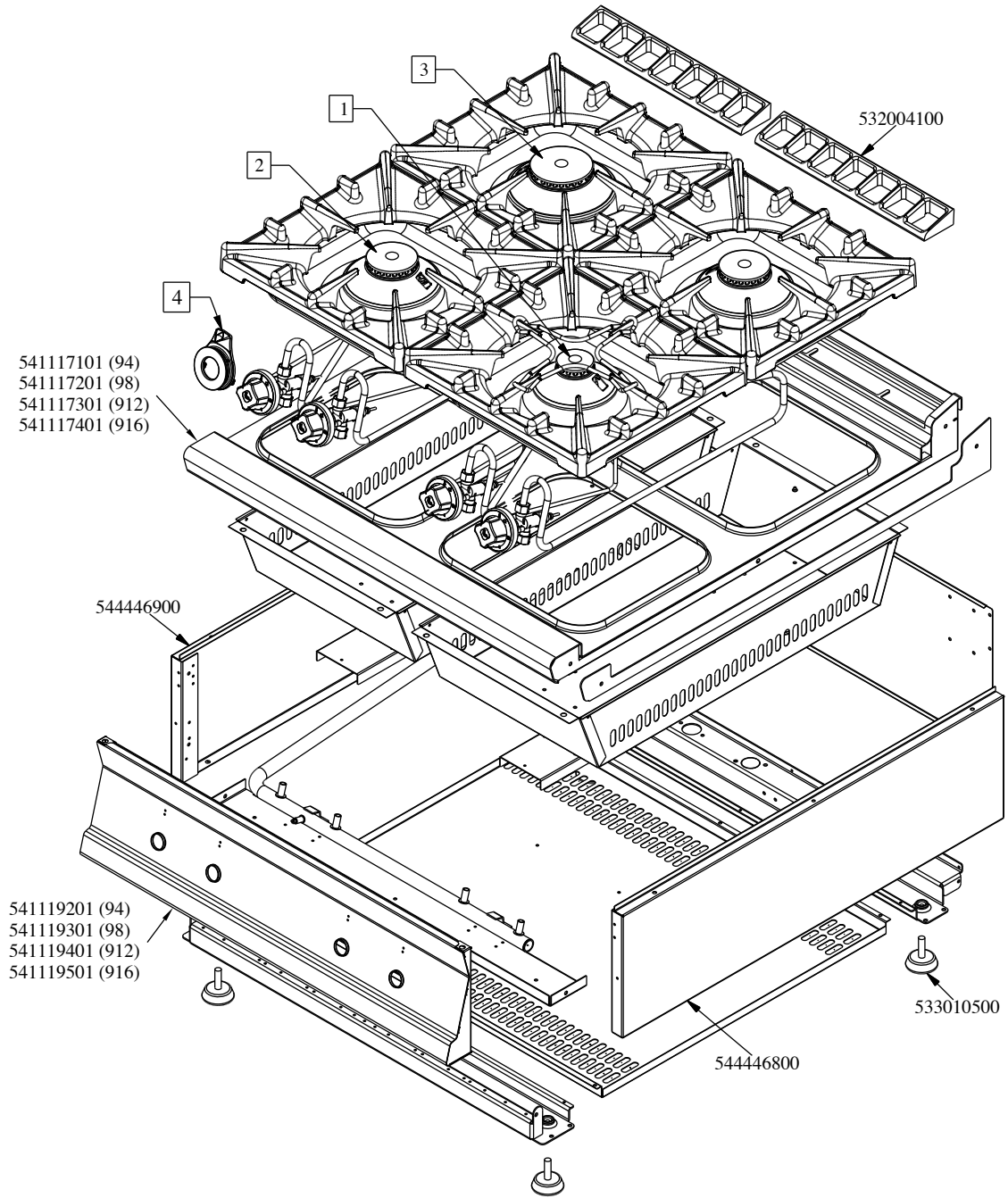


PCT-94G

2021\_11

1





PCT-94G

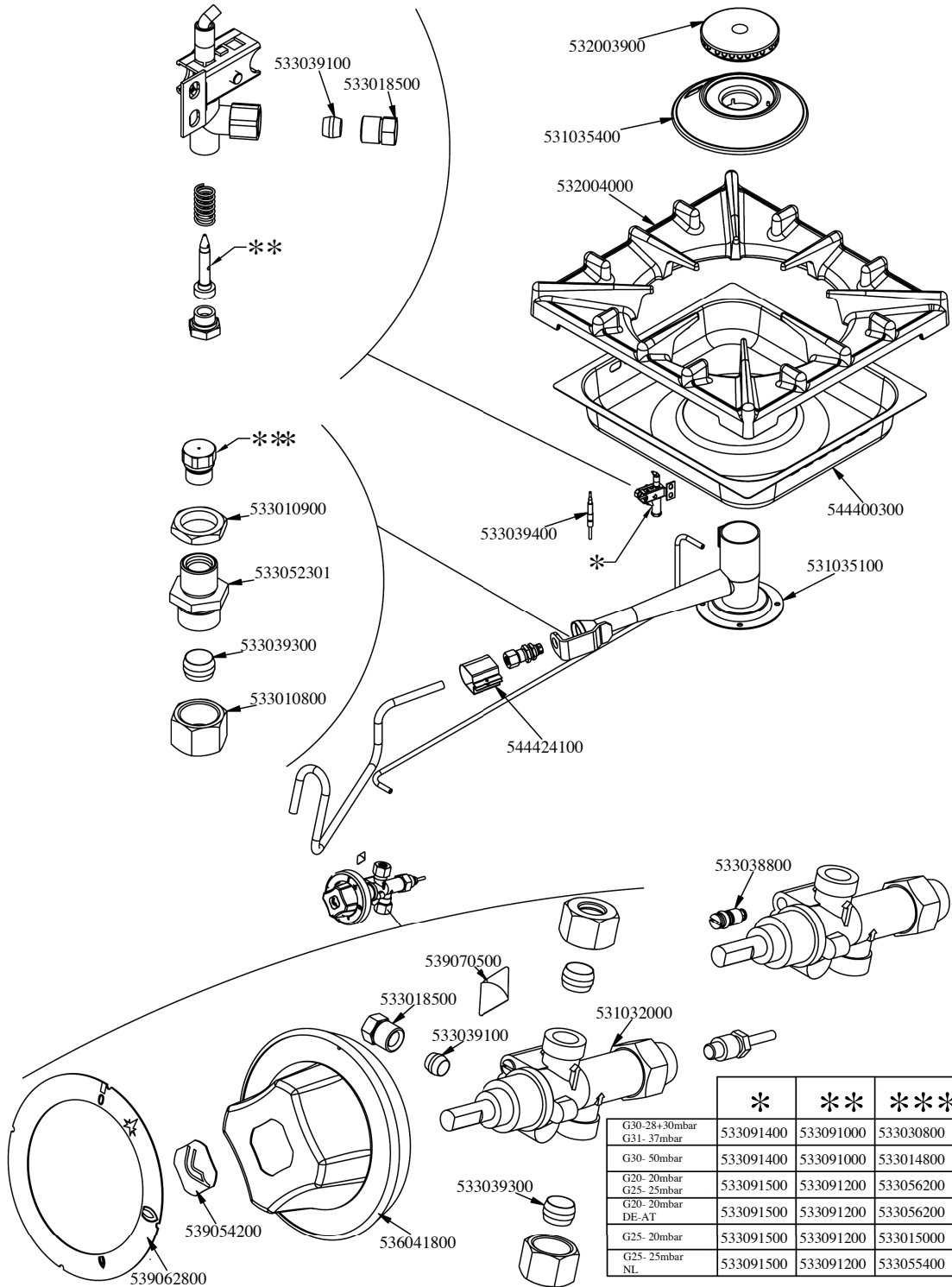
2021\_11

1

Kod	Nazev
541119201	ASS.CRUSC.S607090 PC-9 4G
541117101	ASS.PIANO S90 PC-9 4G
532004100	FLUE GRID L=370 90LINE (RAF)
544446900	LHD SIDE FOR 90T APPLIANCES
544446800	FIANCO APP.S90T DX
533010500	LEG M10*25 D.40



PCT-94G  
2021\_11  
2



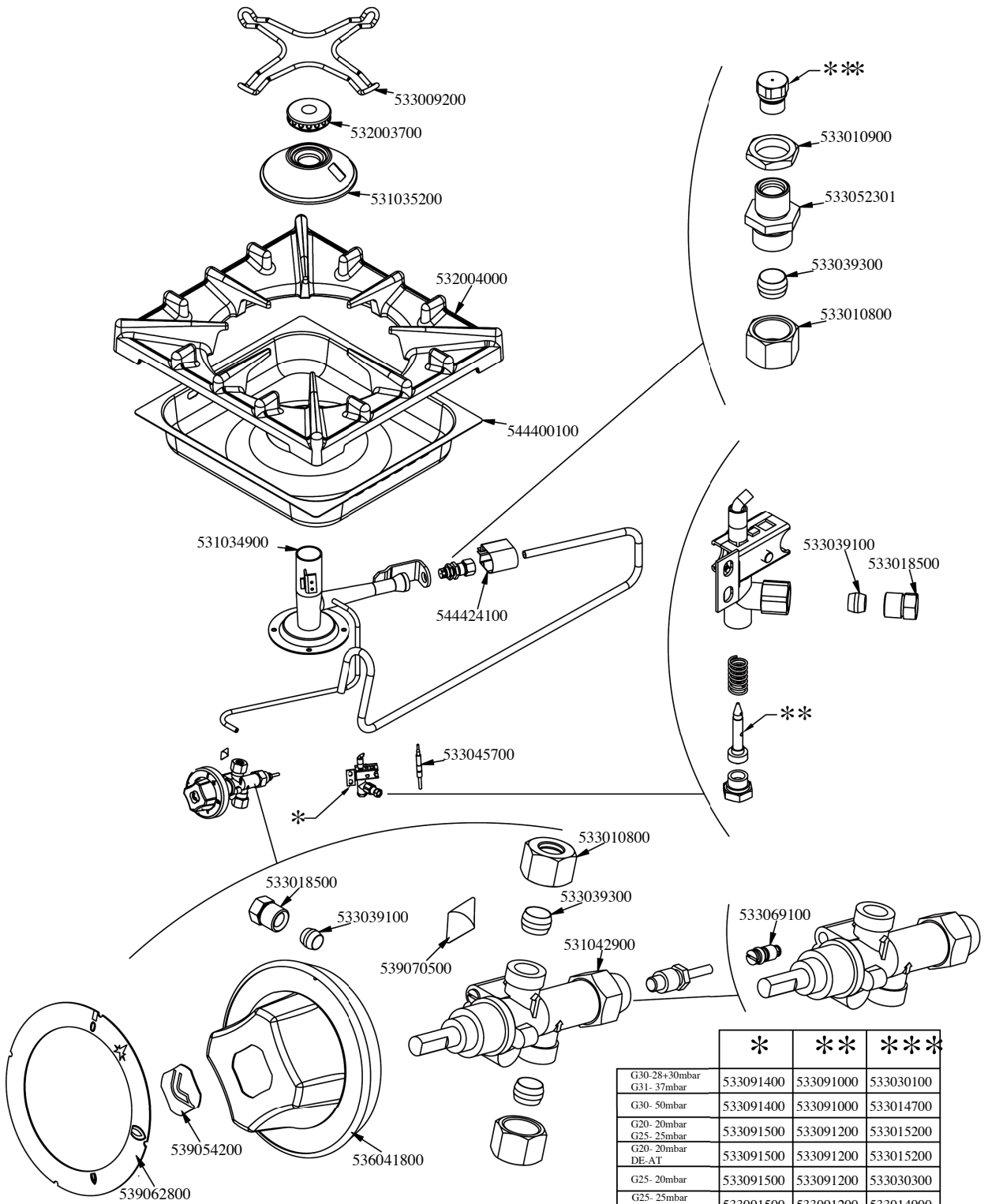


PCT-94G  
2021\_11  
2

Kod	Nazev
533030800	NOZZLE §155 CH12X14 M-CW
533014800	NOZZLE §135 CH12*14,0
533056200	NOZZLE §230 CH12*14
533015000	NOZZLE D.I 260 G110 (TOWN GAS)
533055400	NOZZLE §245 CH12*14
533091000	NOZZLE 0.100 §20
533091200	PILOT NOZZLE 0100 Ø35 PIL.PC
533091400	P.NOZZLE S100 UG.§20 PC90 LPG-FLUS
533091500	PILOT NOZZLE S.100 §30 PC90 NAT.GAS
539054200	STAMP Ø20,5 CR."L" LOTUS R.
539062800	RED STICKING DISK 72
536041800	SILVER CHROM. KNOB Ø77 4P.G.Ø08X6,5
533039300	BICONE §10
533039100	BICONE §6
531035400	BIG BURNER BODY 90 LINE
532004000	1 FLAME GRILL 396X366 (90)
544424100	AIR ADJUSTMENT BUSHING*BURNER PC90
533039400	THERMOCOUPLE M9*1*850
533018500	FITTING FOR BICONE D.6 M10*1
539070500	ADHES.LABEL FOR RING RED SIGN.
533010800	TUBE NUT D.10 M16*1,5
533052301	JOINT FOR NOZZLE HOLDER
533010900	NUT M14*1 H.4
532003900	BURNER COVER RING §100
544400300	BURNER DRIP PAN 2/3
531035100	BIG BURNER VENTURI 90 LINE
531032000	GAS COCK P.V.BY-PASS Ø075
533038800	75 BY-PASS FOR 21S TAP



PCT-94G  
2021\_11  
3





PCT-94G

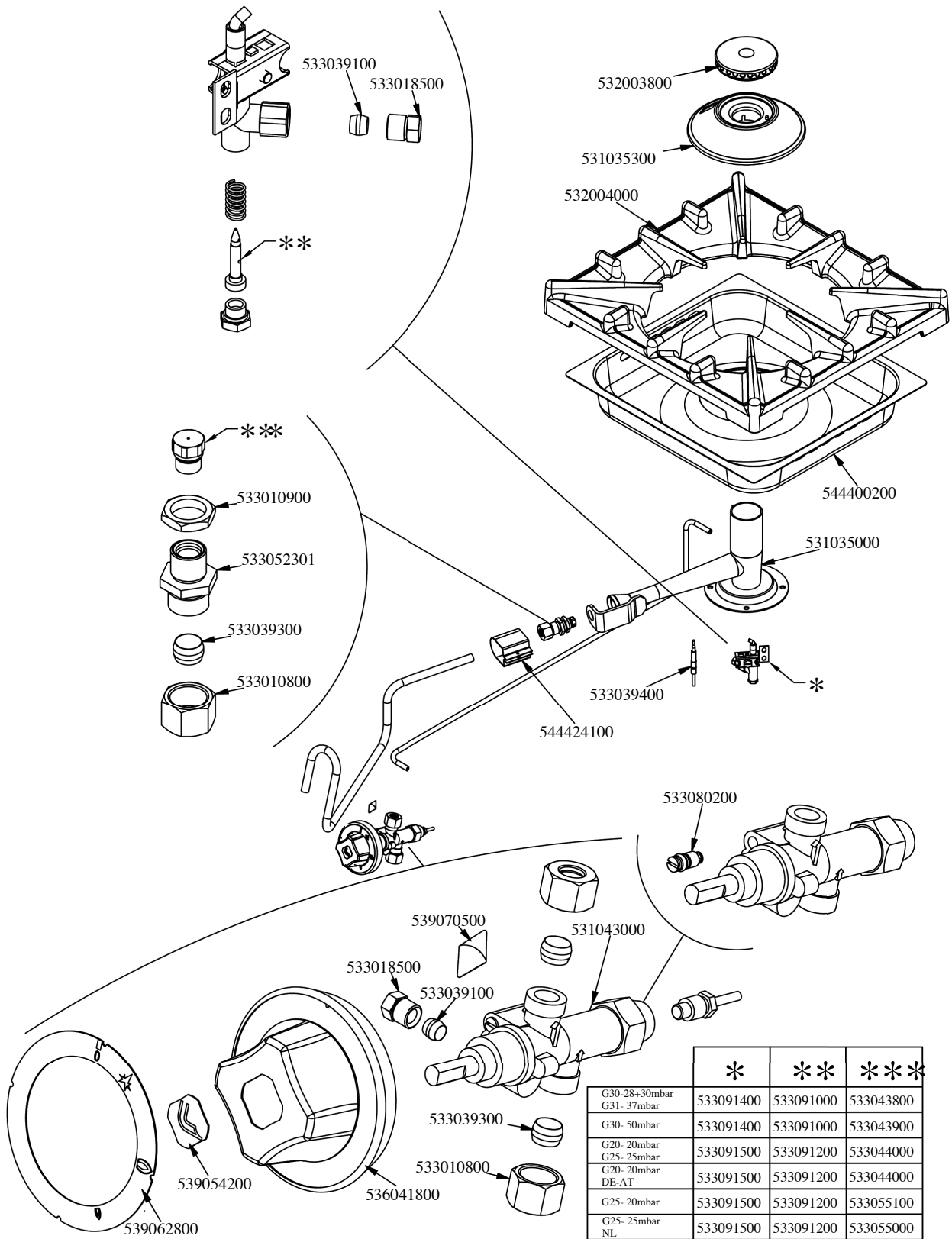
2021\_11

3

Kod	Nazev
533030100	NOZZLE §95 CH12*14 G-FP
533014700	NOZZLE §85 CH12*14 F-FQ5
533015200	NOZZLE §145 CH12*14 F-FP/CP6
533030300	NOZZLE §160 CH12*14 M-FPG
533014900	NOZZLE §150 CH12*14 F-FQ5 L-FQ6
533091000	NOZZLE 0.100 §20
533091200	PILOT NOZZLE 0100 Ø35 PIL.PC
533091400	P.NOZZLE S100 UG.§20 PC90 LPG-FLUS
533091500	PILOT NOZZLE S.100 §30 PC90 NAT.GAS
539054200	STAMP Ø20,5 CR."L" LOTUS R.
539062800	RED STICKING DISK 72
536041800	SILVER CHROM. KNOB Ø77 4P.G.Ø08X6,5
533039300	BICONE §10
533010800	TUBE NUT D.10 M16*1,5
531042900	B.PASS §60 SAFETY COCK PC/CF 90
533009200	REDUCTION GRATE FOR 65-70LINES+FO
532003700	BURNER COVER RING §060
531035200	SMALL BURNER BODY 90 LINE
532004000	1 FLAME GRILL 396X366 (90)
544400100	BURNER DRIP PAN 2/3
531034900	SMALL BURNER VENTURI 90 LINE
533018500	FITTING FOR BICONE D.6 M10*1
533039100	BICONE §6
539070500	ADHES.LABEL FOR RING RED SIGN.
544424100	AIR ADJUSTMENT BUSHING*BURNER PC90
533045700	THERMOCOUPLE M9*1 500
533069100	BY PASS COCK §60 20S
533052301	JOINT FOR NOZZLE HOLDER
533010900	NUT M14*1 H.4



PCT-94G  
2021\_11  
4





PCT-94G  
2021\_11  
4

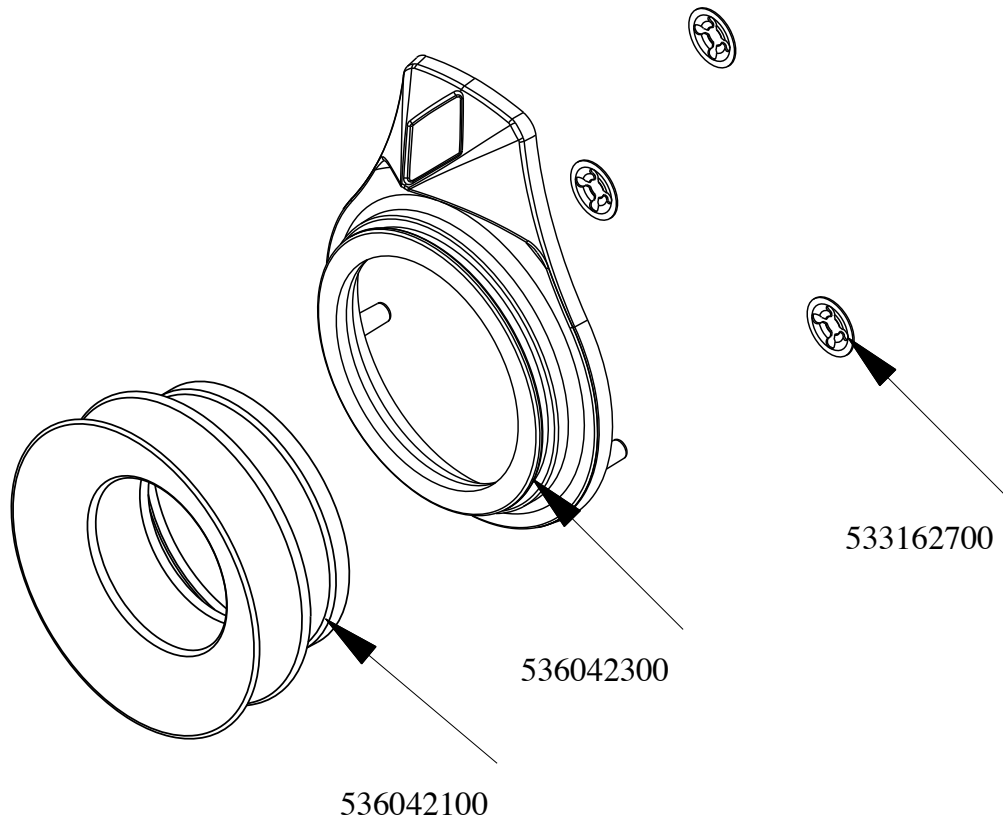
Kod	Nazev
533043800	NOZZLE §130 CH12*14 G-CW4
533043900	NOZZLE §115 CH12*14 F-CW4
533044000	NOZZLE §195 CH12*14 M-CW4
533055100	NOZZLE §215 CH12*14 L-CW4
533055000	NOZZLE §205 CH12*14 G25 CW4
533091000	NOZZLE 0.100 §20
533091200	PILOT NOZZLE 0100 Ø35 PIL.PC
533091400	P.NOZZLE S100 UG.§20 PC90 LPG-FLUS
533091500	PILOT NOZZLE S.100 §30 PC90 NAT.GAS
539054200	STAMP Ø20,5 CR."L" LOTUS R.
539062800	RED STICKING DISK 72
536041800	SILVER CHROM. KNOB Ø77 4P.G.Ø08X6,5
533039100	BICONE §6
533010900	NUT M14*1 H.4
533052301	JOINT FOR NOZZLE HOLDER
533039300	BICONE §10
533010800	TUBE NUT D.10 M16*1,5
533018500	FITTING FOR BICONE D.6 M10*1
532003800	BURNER COVER RING §082
531035300	MEDIUM BURNER BODY 90 LINE
532004000	1 FLAME GRILL 396X366 (90)
544400200	BURNER DRIP PAN 2/3
531035000	MEDIUM BURNER VENTURI 90 LINE
544424100	AIR ADJUSTMENT BUSHING*BURNER PC90
533039400	THERMOCOUPLE M9*1*850
531043000	GAS COCK 21S P.V. BY-PASS §065
539070500	ADHES.LABEL FOR RING RED SIGN.
533080200	BY PASS COCK §65 20S-21S



PCT-94ET

2021\_11

5





PCT-94ET

2021\_11

5

Kod	Nazev
536042300	SILVER CHROM. RING FOR KNOB Ø77 4 P
536042100	SEAL CASING FOR KNOB Ø77 4 P
533162700	PROCESSING CODE