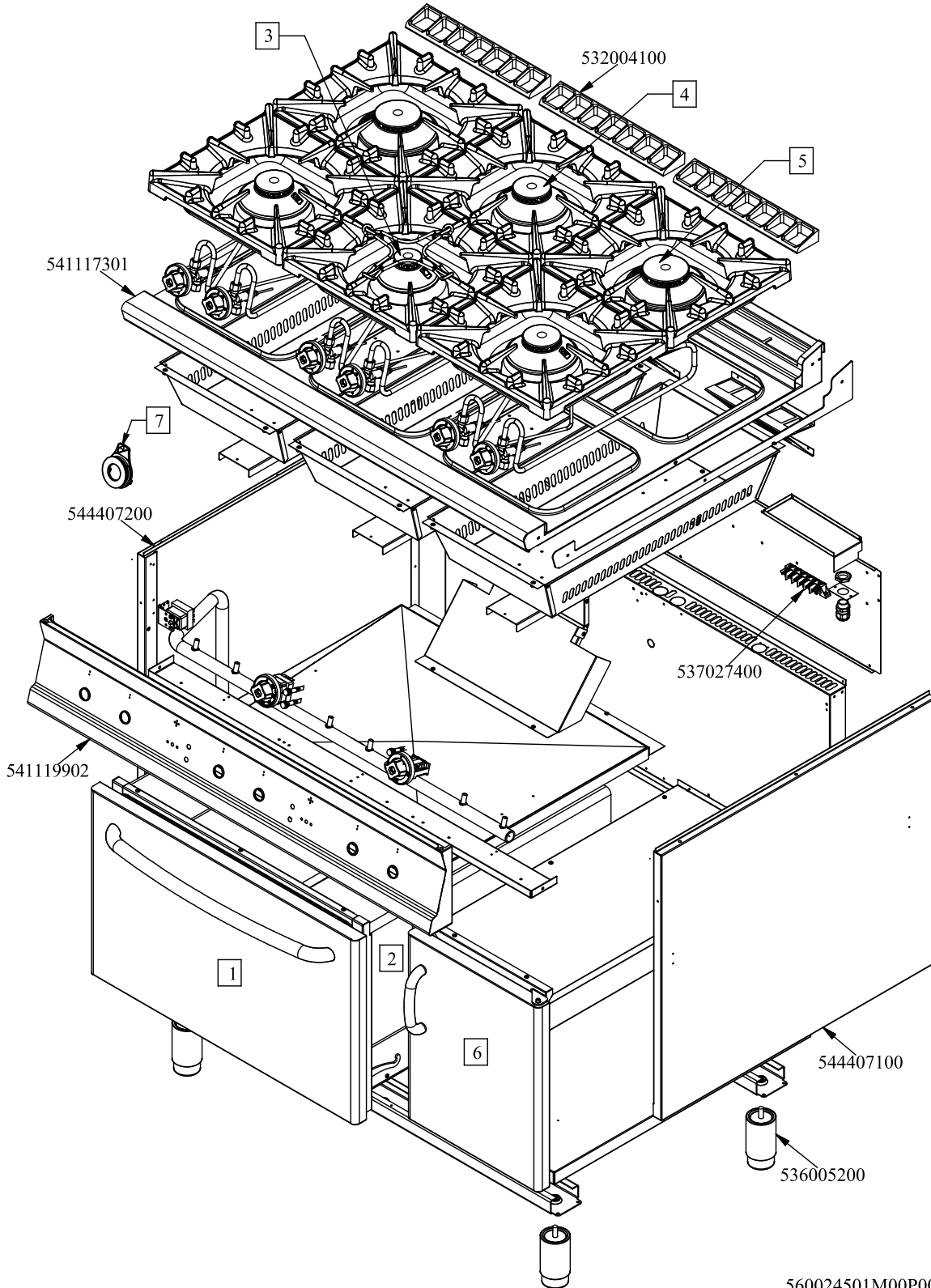
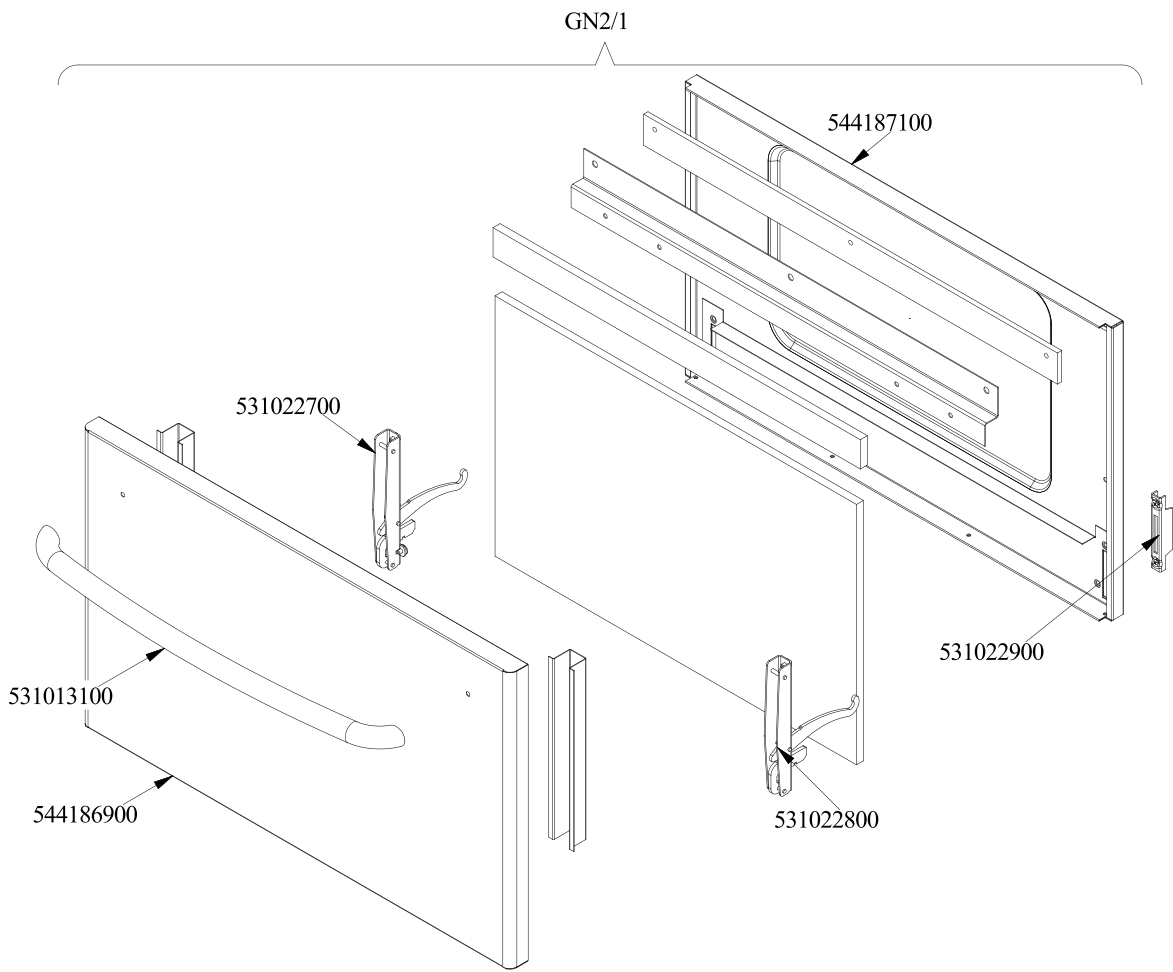


RM 900
 Platný od 1.5. 2019
 CF6-912GEV

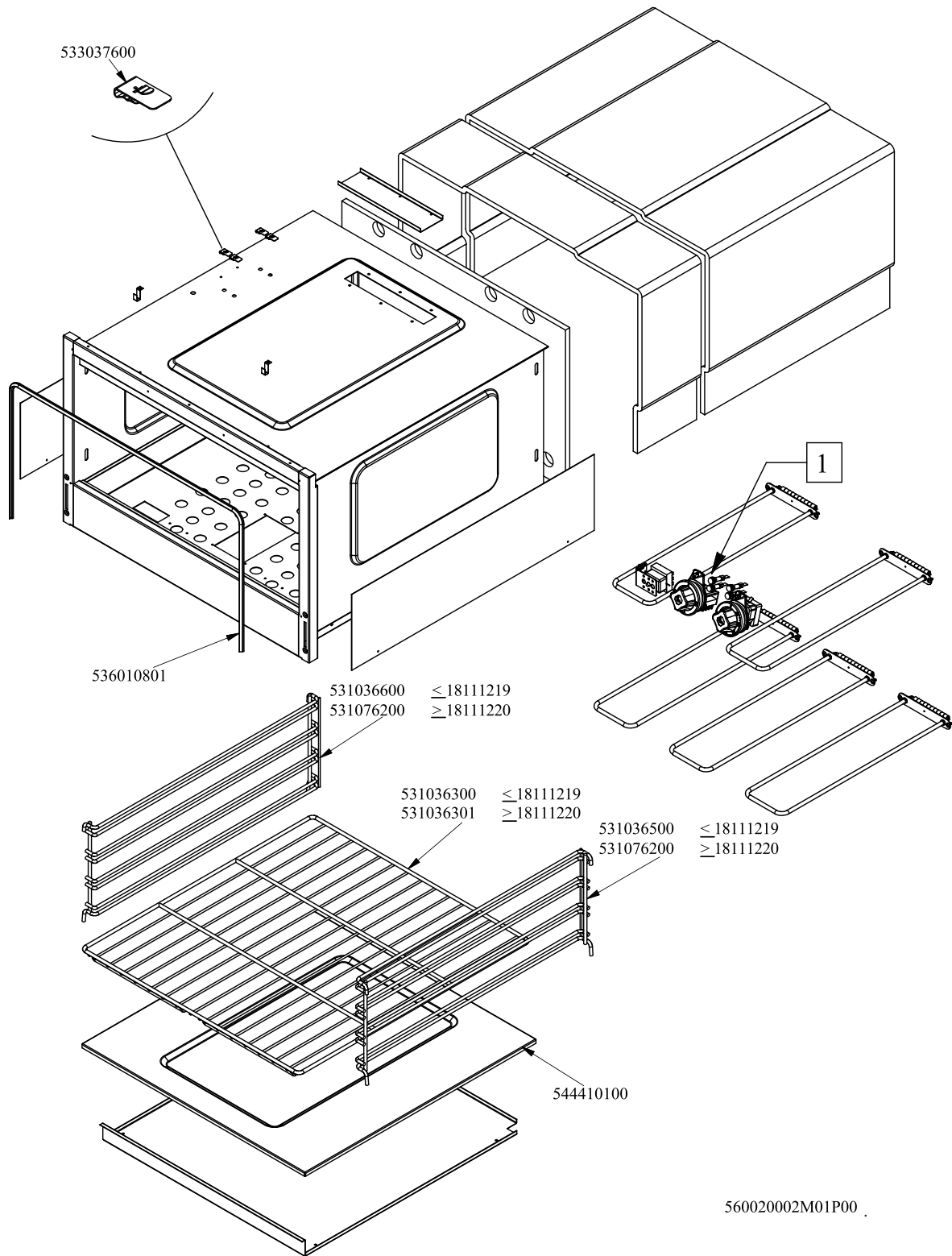




560099800M01P00

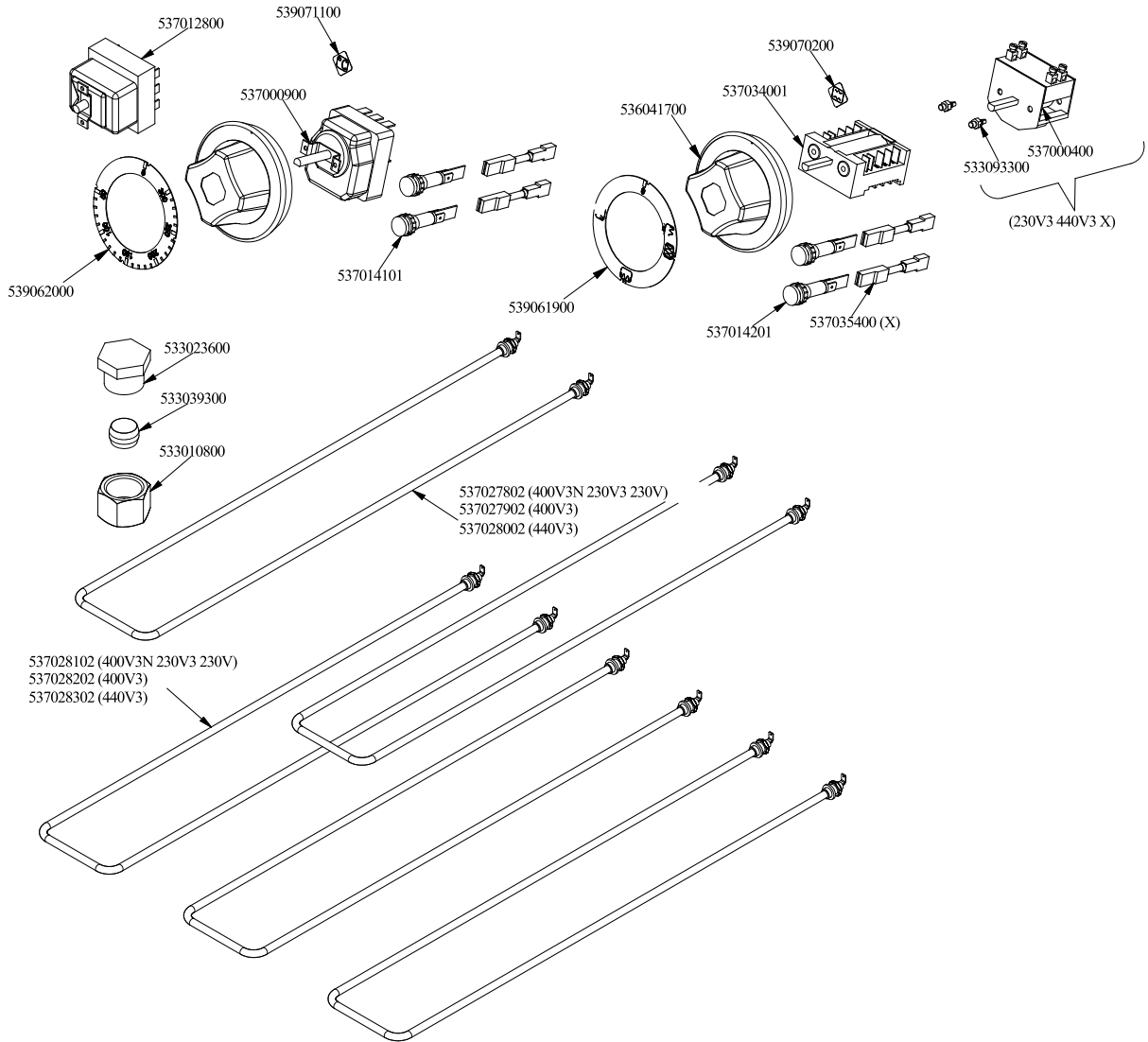


| Objednací kód | Popis v ENG |
|---------------|----------------------------------|
| GN2/1 | PROCESSING CODE |
| 544187100 | OVEN INNER DOOR GN 2/1 70/90LINE |
| 531022800 | 531022800N DOOR HINGE S.70 |
| 531013100 | OVEN DOOR HANDLE OF 70/90-LINE |
| 544186900 | OVEN DOOR GN 2/1 70/90LINES |
| 531022700 | LEFT OVEN DOOR HINGE 70LINE |
| 531022900 | HINGE ROLLER HOLDER FOR 700-OVEN |
| GN3/1 | PROCESSING CODE |
| 541102300 | GAS OVEN INNER DOOR GN 3/1 S.70 |
| 531022800 | 531022800N DOOR HINGE S.70 |
| 531013100 | OVEN DOOR HANDLE OF 70/90-LINE |
| 544187000 | OVEN DOOR GN 3/1 S.70 |
| 531022700 | LEFT OVEN DOOR HINGE 70LINE |
| 531022900 | HINGE ROLLER HOLDER FOR 700-OVEN |



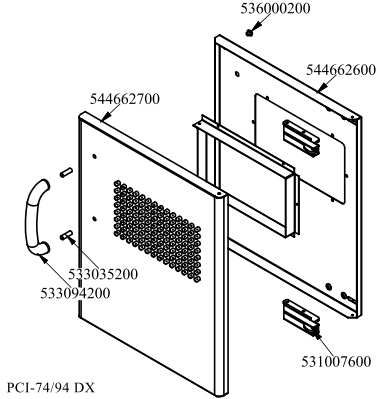
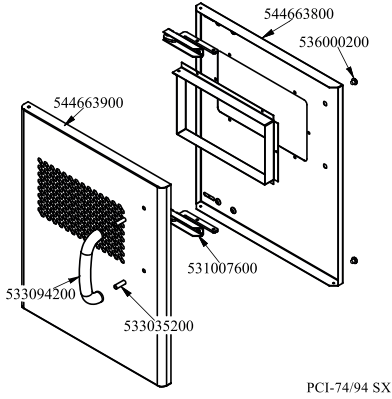
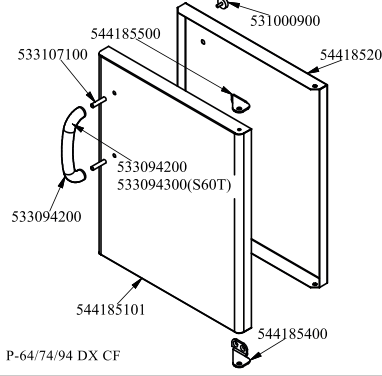
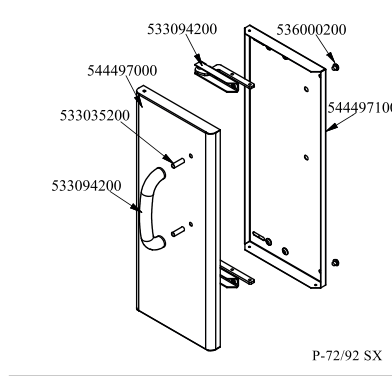
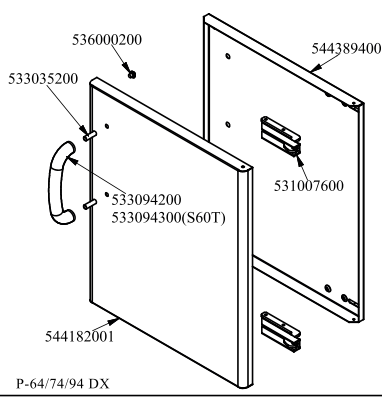
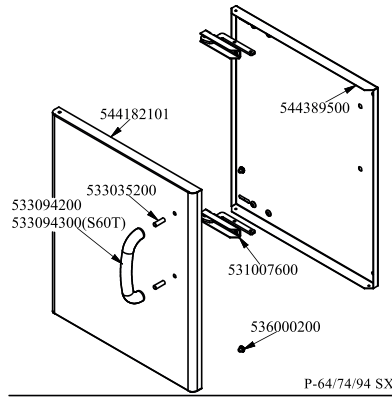
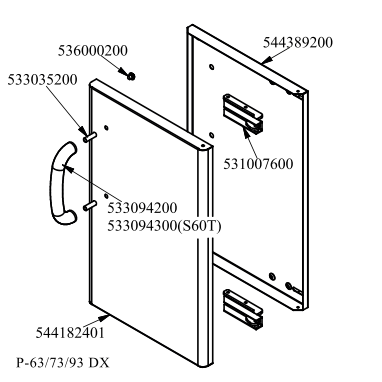
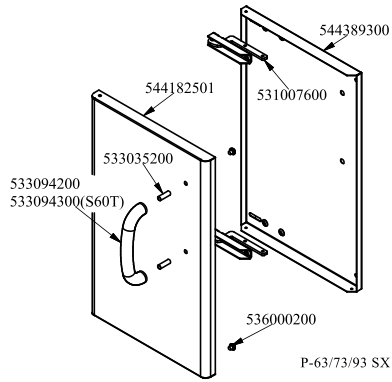


| Objednací kód | Popis v ENG |
|---------------|---------------------------------|
| 531036600 | LHD RACK HOLDER FOR OVEN S.90 |
| 531076200 | |
| 531036300 | OVEN RACK GN 2/1 FOR 90 LINE |
| 531036301 | OVEN RACK GN 2/1 FOR 90 LINE |
| 544410100 | 90 ELECTRICAL OVEN BOTTOM GN2/1 |
| 533037600 | LOCK SPRING FOR BULB |
| 531036500 | RHD RACK HOLDER FOR OVEN S.90 |
| 536010801 | OVEN GASKET GN 2/1 (1308) |
| - | - |



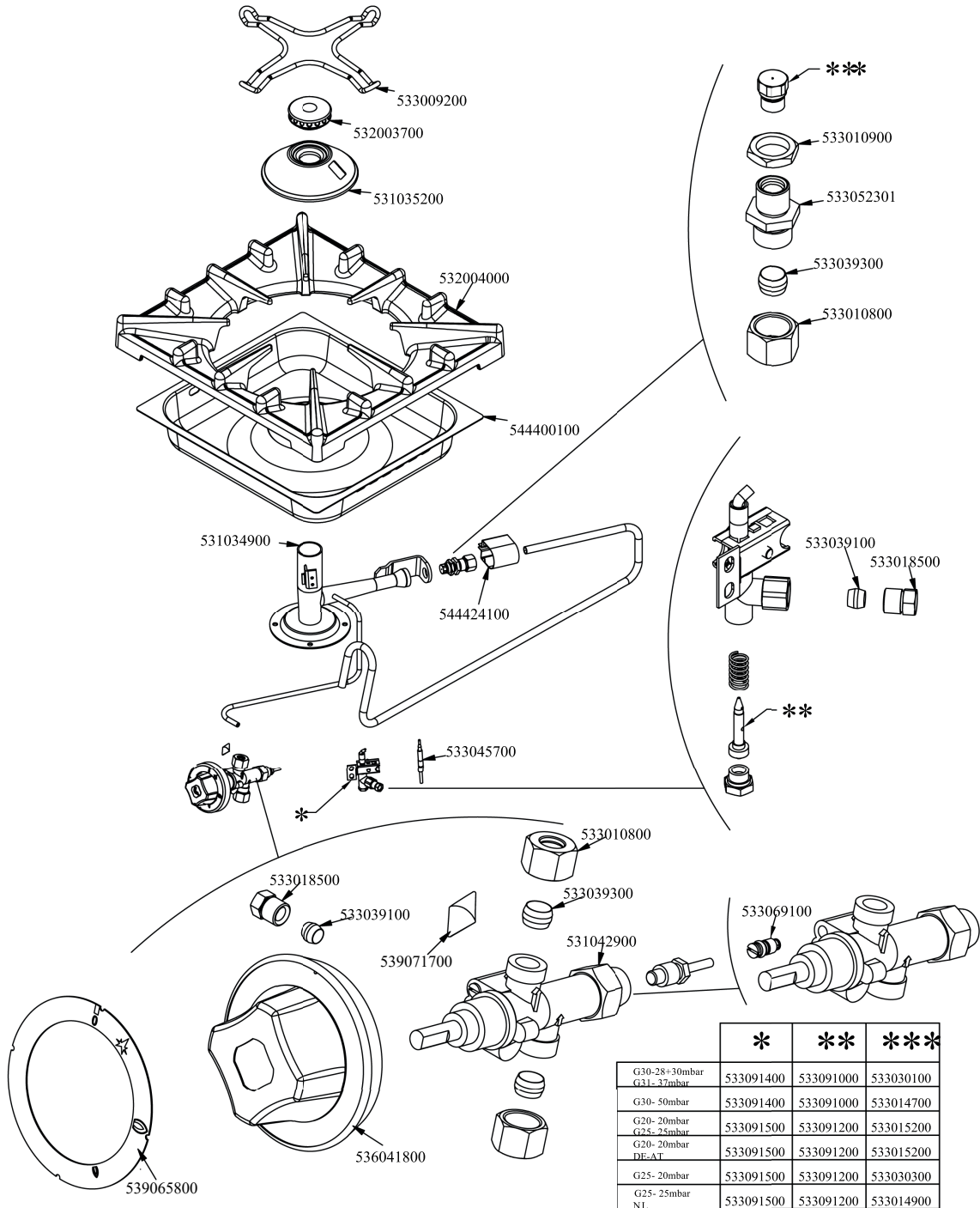


| Objednací kód | Popis v ENG |
|---------------|-------------------------------------|
| 537027802 | HEATING ELEMENT S90 S.0800W 1-230V |
| 537012800 | SAFETY THERMOSTAT 420°C THREEPHASE |
| 537000900 | THERMOSTAT 063-320°C THREEPHASE |
| 539071100 | |
| 537014101 | WHITE WARNING LIGHT 250V |
| 533023600 | TAP PLUG §10 M16*1, 5CH19 |
| 533039300 | BICONE §10 |
| 533010800 | TUBE NUT D.10 M16*1,5 |
| 537027902 | |
| 537028002 | |
| 537028102 | HEATING ELEMENT 90S I.1700W 1-230V |
| 537028202 | |
| 537028302 | |
| 536041700 | SILVER CHROM. KNOB Ø77 4P.G.Ø06X4,6 |
| 539062000 | ADESIVE DISK THERMOSTAT OVEN S70 |
| 539061900 | ADESIVE DISK FOR SWITCH OVEN S70 |
| 539054200 | STAMP Ø20,5 CR."L" LOTUS R. |
| 537035400 | HEATING ELEMENT 00003W 330KOHM W/F |
| 533093300 | LOCKING PIN SWITCH S.43 THERMOST |
| 537000400 | COMMUTATOR 1POS.SINGLEPHASE S49 16A |
| 537014201 | GREEN WARNING LIGHT 250V |
| 537034001 | COMMUTATOR 4 POS.3PHASE S.42 16A |
| 539070200 | |





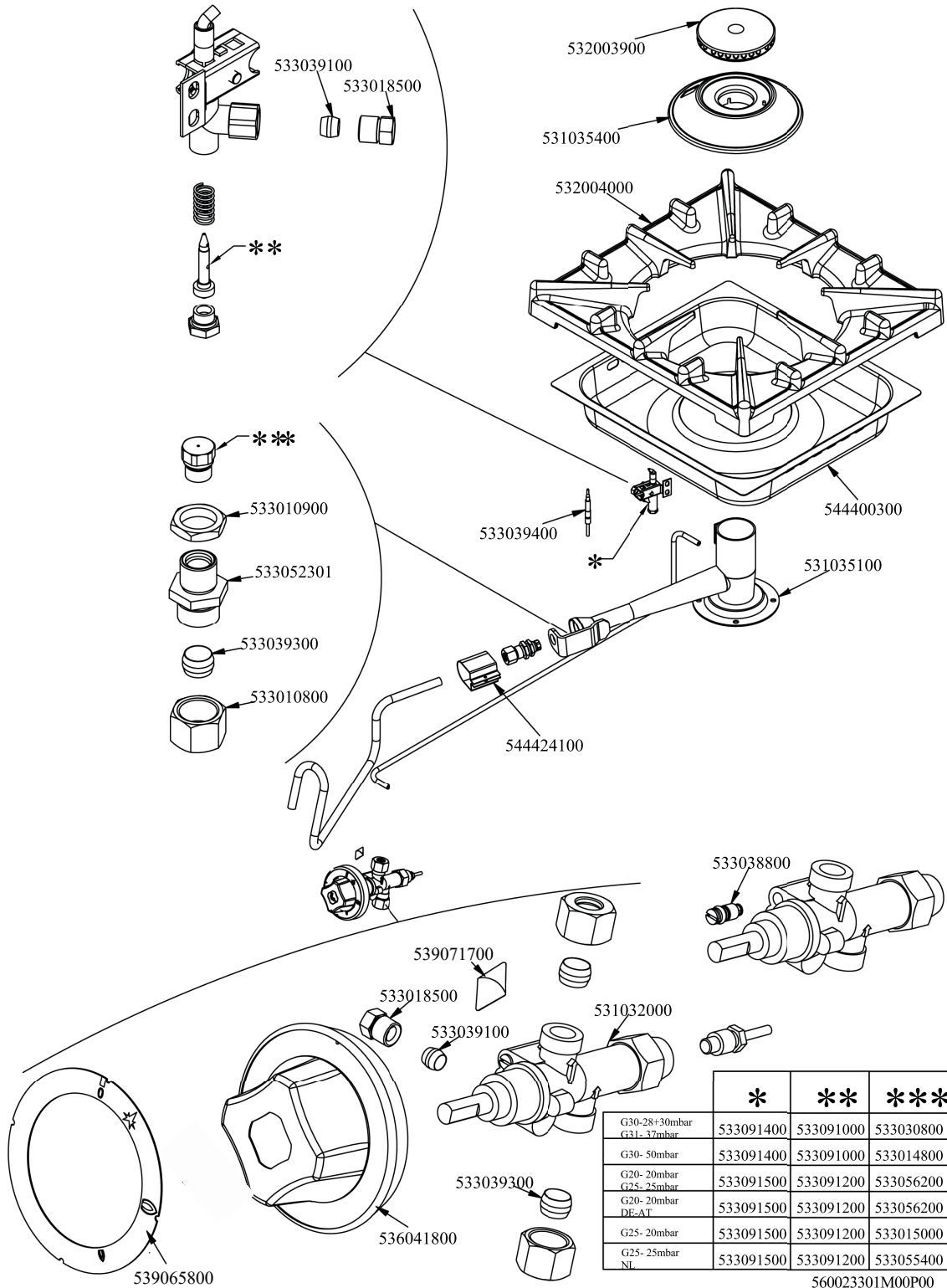
| Objednací kód | Popis v ENG |
|---------------|-------------------------------------|
| 544185101 | RIGHT DOOR 74 CF |
| 533107100 | HANDLE SPACER OF CF-70 |
| 533094200 | S/S HANDLE FOR 70/90 SERIES |
| 544185400 | LOWER DOOR HINGE FOR COMPARTME CF70 |
| 544185500 | UPPER DOOR HINGE FOR COMPARTME CF70 |
| 544185201 | INNER DOOR * 74DX |
| 531000900 | MAGNET §22 KG.3 WITH DISK |
| 536000200 | D.12 H.4 BUMPER |
| 544182001 | RIGHT DOOR 74 |
| 531007600 | DOOR HINGE |
| 544389400 | |
| 533035200 | HANDLE SPACER |
| 544182101 | LEFT DOOR 74 |
| 544389500 | INNER-DOOR OF LHD 74 |
| 544182401 | RIGHT DOOR 73 |
| 544389200 | |
| 544389300 | |
| 544182501 | LEFT DOOR 73 |
| 544497000 | |
| 544497100 | |
| 544663900 | LHD 74 DOOR FOR PCI |
| 544663800 | 74 LHD OVEN INNER DOOR FOUR PCI |
| 544662700 | DOOR 74 DX PCI |
| 544662600 | |
| 533094300 | S/S HANDLE FOR 600T.LINE |



| | * | ** | *** |
|-----------------------------|-----------|-----------|-----------|
| G30-28+30mbar G31-37mbar | 533091400 | 533091000 | 533030100 |
| G30-50mbar | 533091400 | 533091000 | 533014700 |
| G20-20mbar G25-25mbar | 533091500 | 533091200 | 533015200 |
| G20-20mbar DE-AT | 533091500 | 533091200 | 533015200 |
| G25-20mbar | 533091500 | 533091200 | 533030300 |
| G25-25mbar NI | 533091500 | 533091200 | 533014900 |

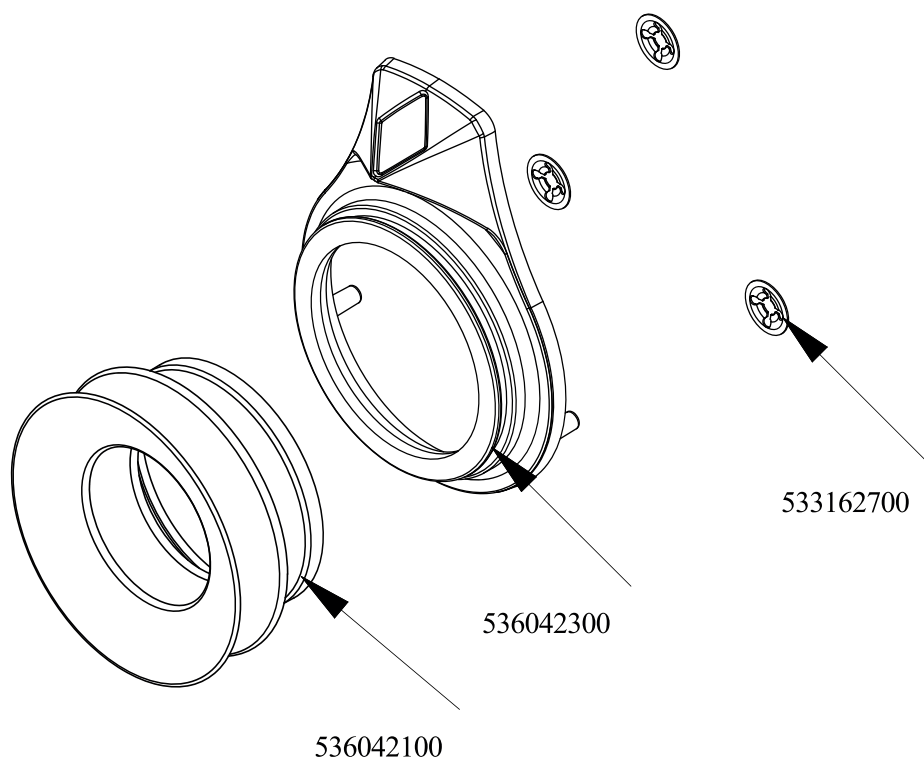


| Objednačí kód | Popis v ENG |
|---------------|-------------------------------------|
| 533030100 | NOZZLE §95 CH12*14 G-FP |
| 533014700 | NOZZLE §85 CH12*14 F-FQ5 |
| 533015200 | NOZZLE §145 CH12*14 F-FP/CP6 |
| 533030300 | NOZZLE §160 CH12*14 M-FPG |
| 533014900 | NOZZLE §150 CH12*14 F-FQ5 L-FQ6 |
| 533091000 | NOZZLE 0.100 §20 |
| 533091200 | PILOT NOZZLE 0100 Ø35 PIL.PC |
| 533091400 | P.NOZZLE S100 UG.§20 PC90 LPG-FLUS |
| 533091500 | PILOT NOZZLE S.100 §30 PC90 NAT.GAS |
| | |
| 539065800 | BLACK STICKING DISK 72 |
| 536041800 | SILVER CHROM. KNOB Ø77 4P.G.Ø08X6,5 |
| 533039300 | BICONE §10 |
| 533010800 | TUBE NUT D.10 M16*1,5 |
| 531042900 | B.PASS §60 SAFETY COCK PC/CF 90 |
| 533009200 | REDUCTION GRATE FOR 65-70LINES+FO |
| 532003700 | BURNER COVER RING §060 |
| 531035200 | SMALL BURNER BODY 90 LINE |
| 532004000 | 1 FLAME GRILL 396X366 (90) |
| 544400100 | BURNER DRIP PAN 2/3 |
| 531034900 | SMALL BURNER VENTURI 90 LINE |
| 533018500 | FITTING FOR BICONE D.6 M10*1 |
| 533039100 | BICONE §6 |
| 539071700 | ADHES.LABEL FOR RING GREEN SIGN. |
| 544424100 | AIR ADJUSTMENT BUSHING*BURNER PC90 |
| 533045700 | THERMOCOUPLE M9*1 500 |
| 533069100 | BY PASS COCK §60 20S |
| 533052301 | JOINT FOR NOZZLE HOLDER |
| 533010900 | NUT M14*1 H.4 |





| Objednací kód | Popis v ENG |
|---------------|-------------------------------------|
| 537027802 | HEATING ELEMENT S90 S.0800W 1-230V |
| 537012800 | SAFETY THERMOSTAT 420°C THREEPHASE |
| 537000900 | THERMOSTAT 063-320°C THREEPHASE |
| 539071100 | |
| 537014101 | WHITE WARNING LIGHT 250V |
| 533023600 | TAP PLUG §10 M16*1, 5CH19 |
| 533039300 | BICONE §10 |
| 533010800 | TUBE NUT D.10 M16*1,5 |
| 537027902 | |
| 537028002 | |
| 537028102 | HEATING ELEMENT 90S I.1700W 1-230V |
| 537028202 | |
| 537028302 | |
| 536041700 | SILVER CHROM. KNOB Ø77 4P.G.Ø06X4,6 |
| 539062000 | ADESIVE DISK THERMOSTAT OVEN S70 |
| 539061900 | ADESIVE DISK FOR SWITCH OVEN S70 |
| | |
| 537035400 | HEATING ELEMENT 00003W 330KOHM W/F |
| 533093300 | LOCKING PIN SWITCH S.43 THERMOST |
| 537000400 | COMMUTATOR 1POS.SINGLEPHASE S49 16A |
| 537014201 | GREEN WARNING LIGHT 250V |
| 537034001 | COMMUTATOR 4 POS.3PHASE S.42 16A |
| 539070200 | |



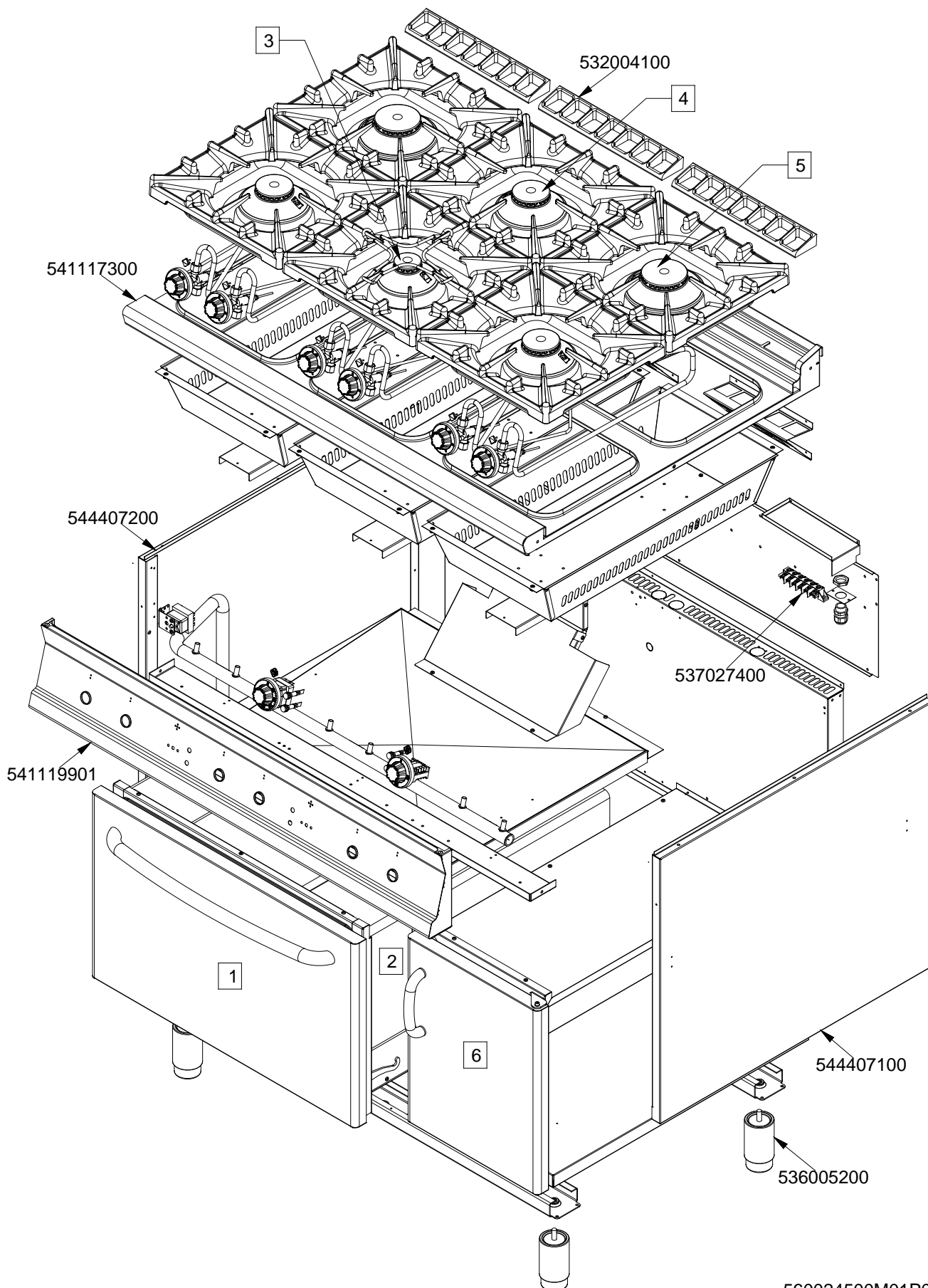
560125700M00P00



| Objednací kód | Popis v ENG |
|---------------|-------------------------------------|
| 536042300 | SILVER CHROM. RING FOR KNOB Ø77 4 P |
| 536042100 | SEAL CASING FOR KNOB Ø77 4 P |
| 533162700 | PROCESSING CODE |



CF6 - 912 GEV
 Platnost
 1.5.2016 do
 30.4.2019



CF6 - 912 GEV

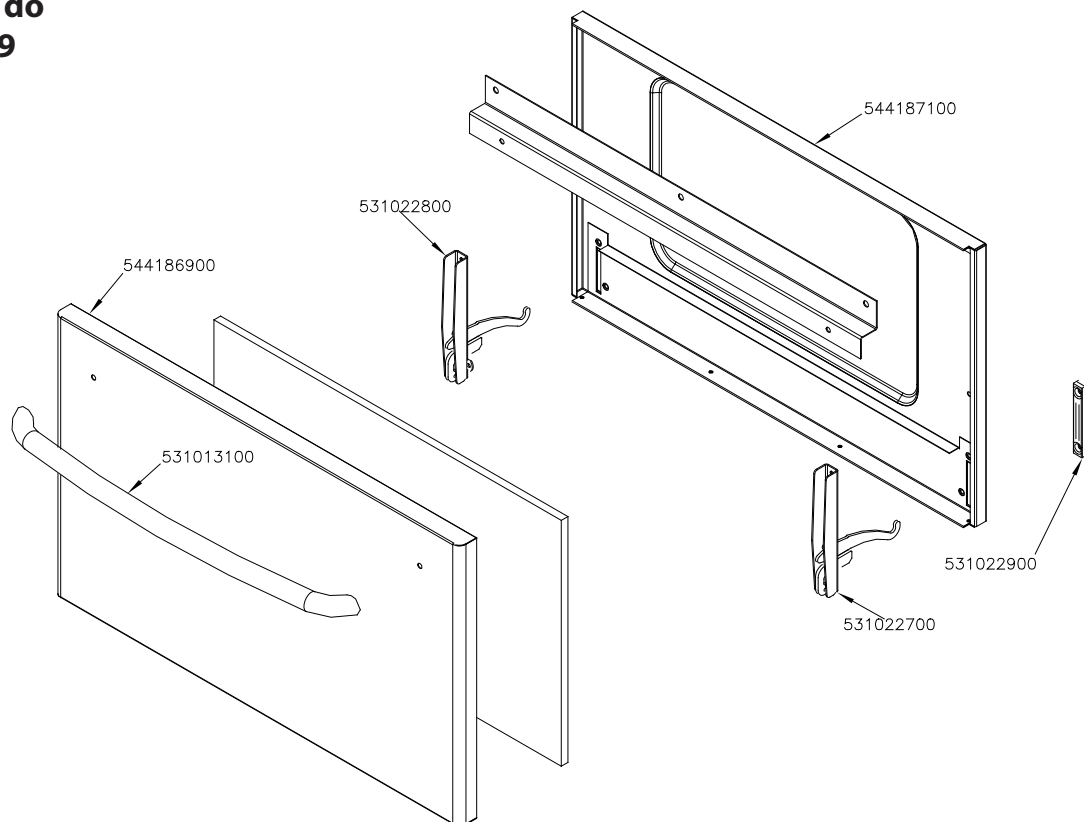
(1)

Platnost

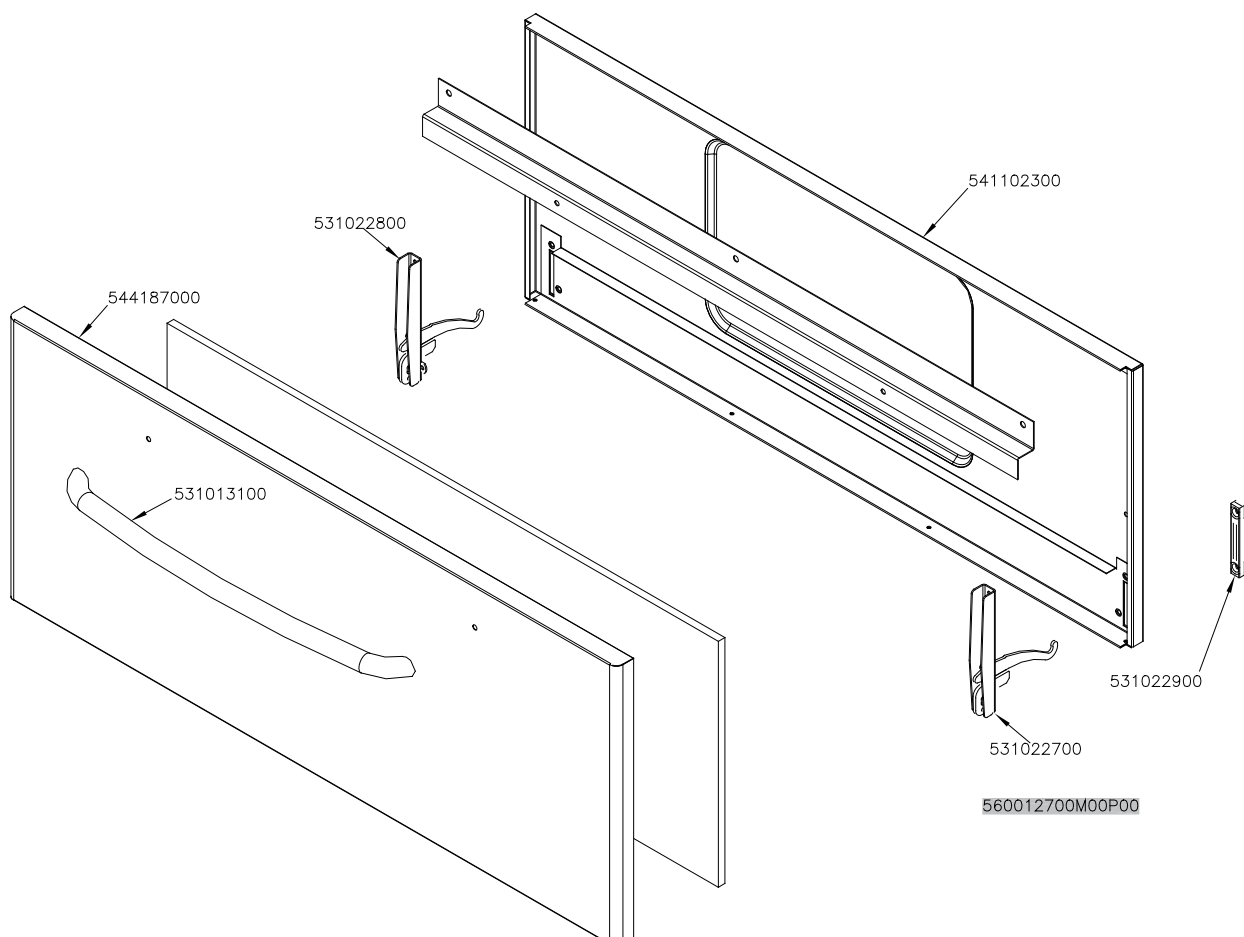
1.5.2016 do

30.4.2019

GN 2/1



GN 3/1





CF6 - 912 GEV

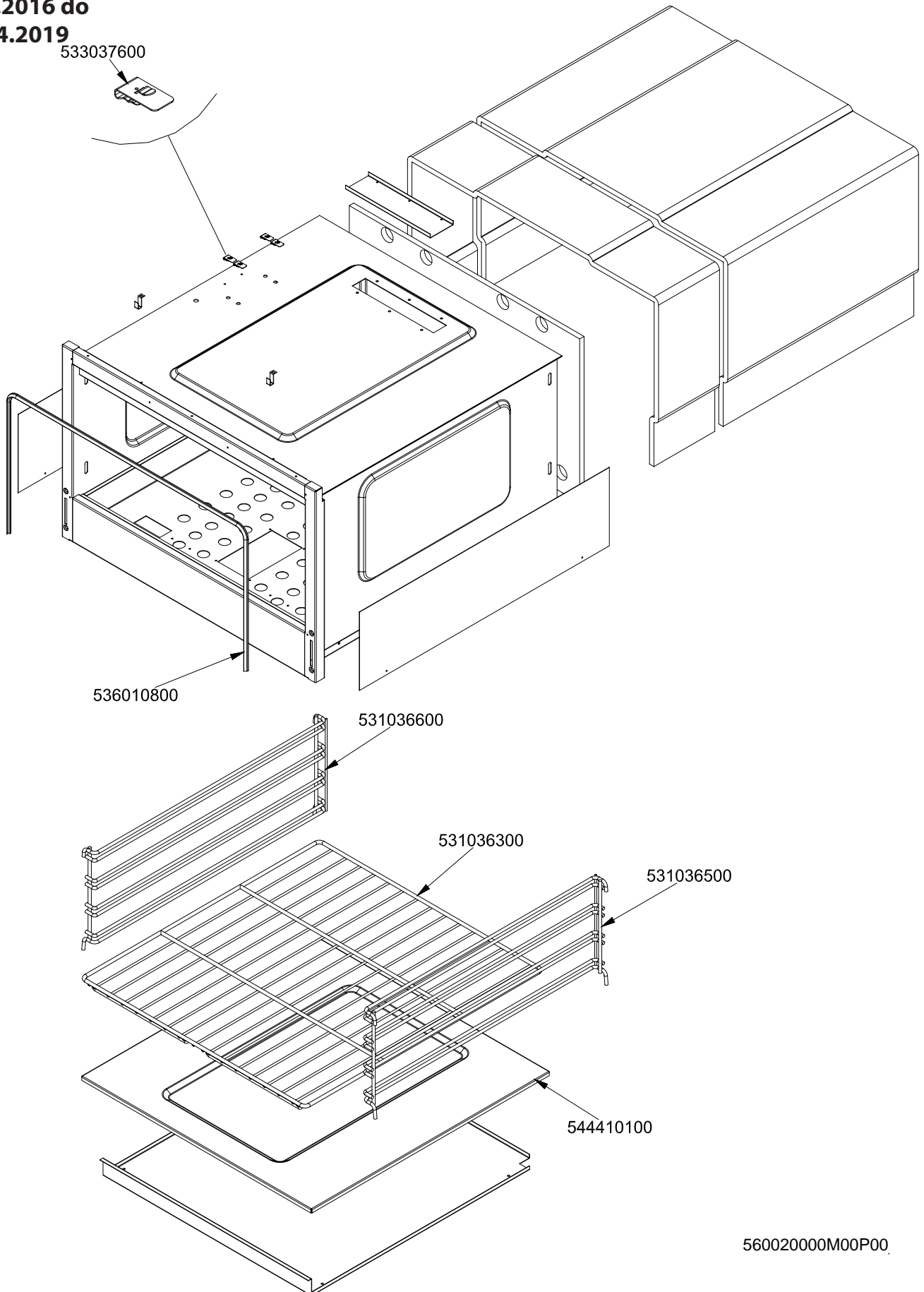
(2)

Platnost

1.5.2016 do

30.4.2019

533037600

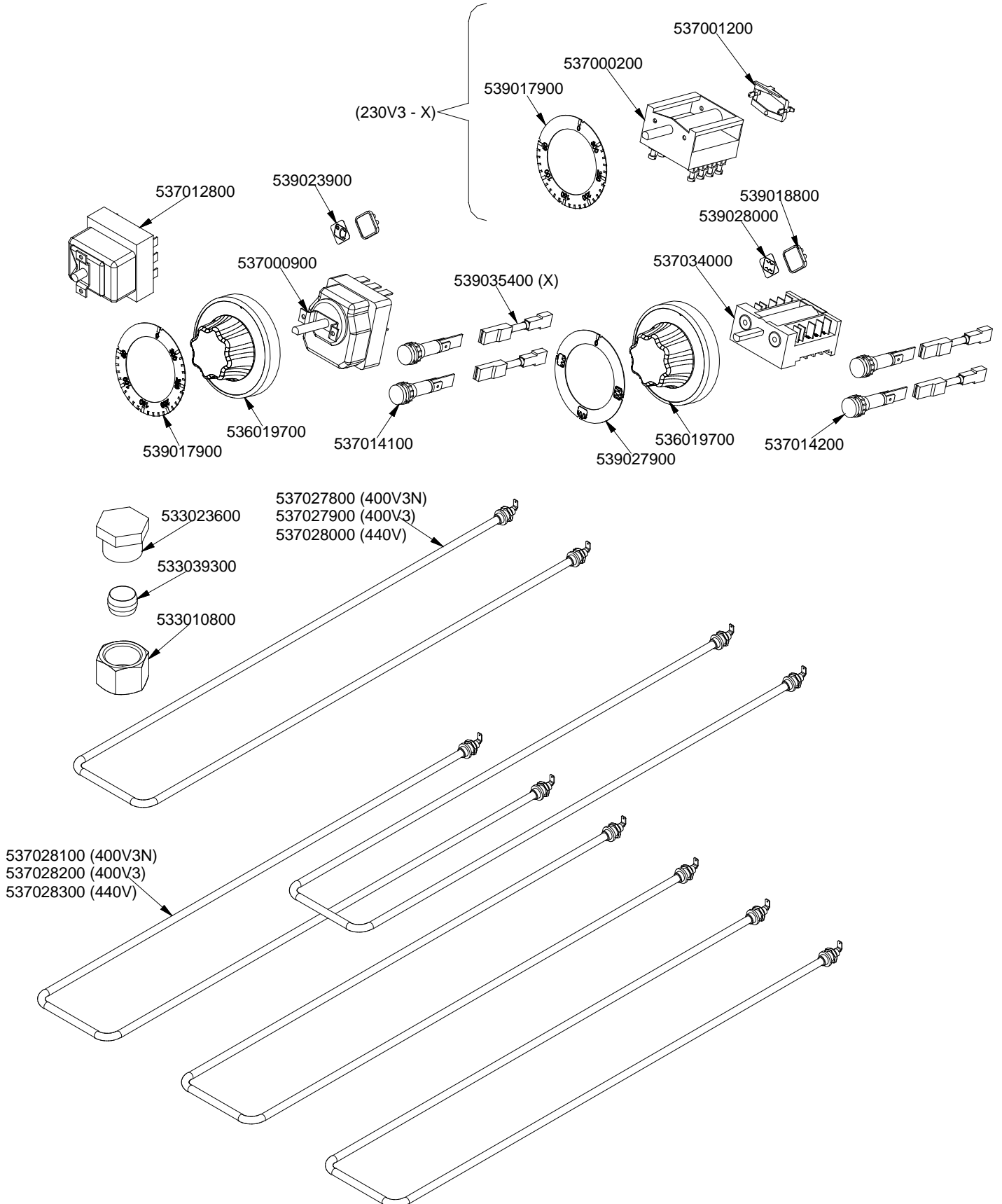


CF6 - 912 GEV

Platnost

1.5.2016 do

30.4.2019





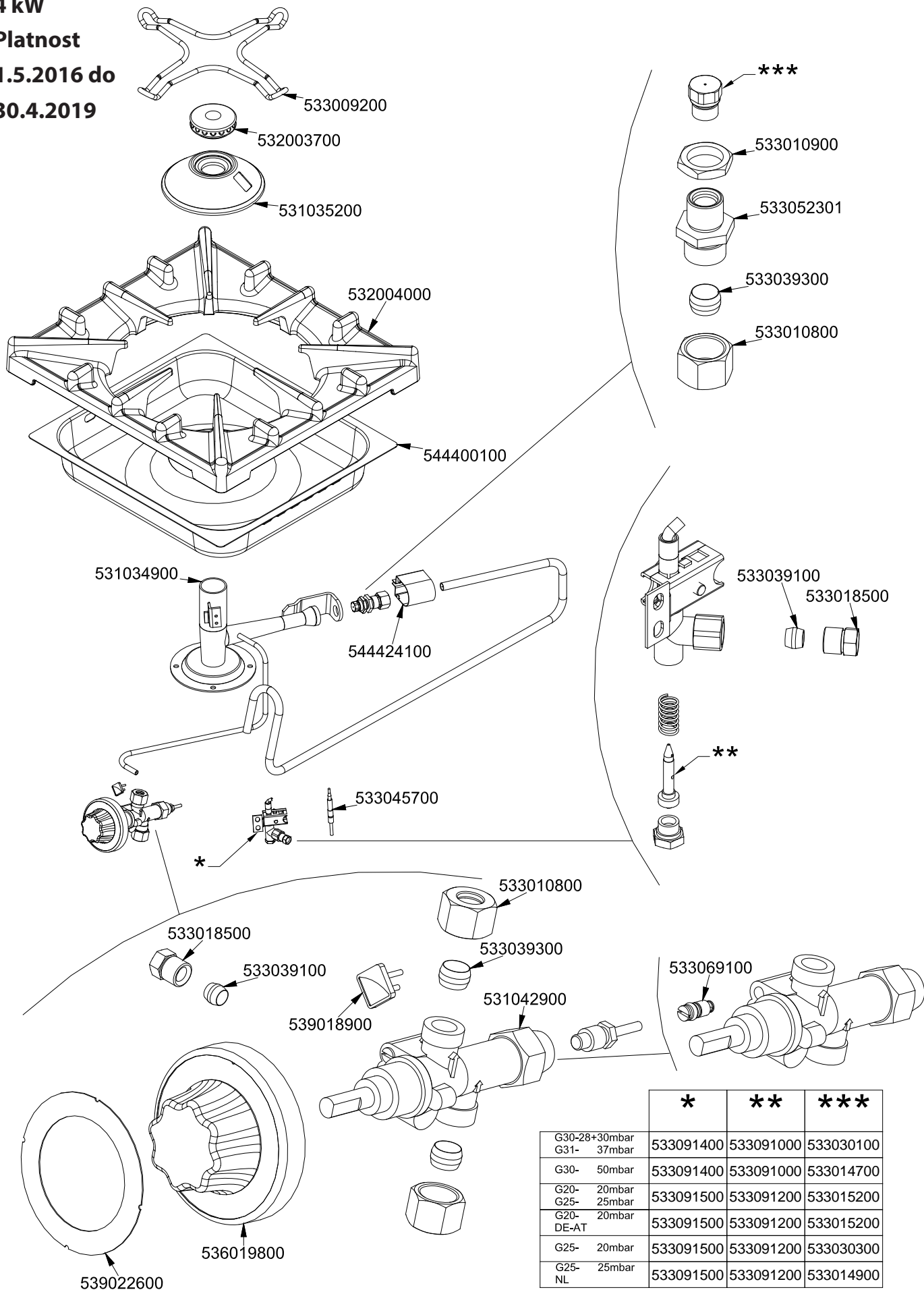
CF6 - 912 GEV

4 kW

Platnost

1.5.2016 do

30.4.2019



| | * | ** | *** |
|------------------------------|-----------|-----------|-----------|
| G30-28+30mbar G31- 37mbar | 533091400 | 533091000 | 533030100 |
| G30- 50mbar | 533091400 | 533091000 | 533014700 |
| G20- 20mbar G25- 25mbar | 533091500 | 533091200 | 533015200 |
| G20- 20mbar DE-AT | 533091500 | 533091200 | 533015200 |
| G25- 20mbar | 533091500 | 533091200 | 533030300 |
| G25- 25mbar NL | 533091500 | 533091200 | 533014900 |



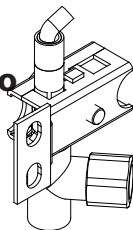
CF6 - 912 GEV

7 kW

Platnost

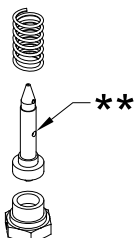
1.5.2016 do

30.4.2019

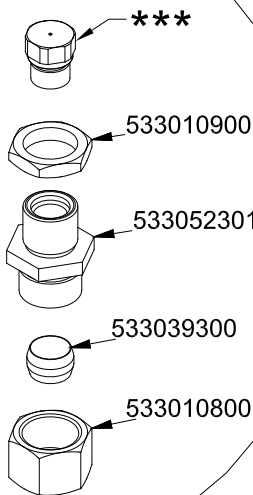


533039100

533018500



**

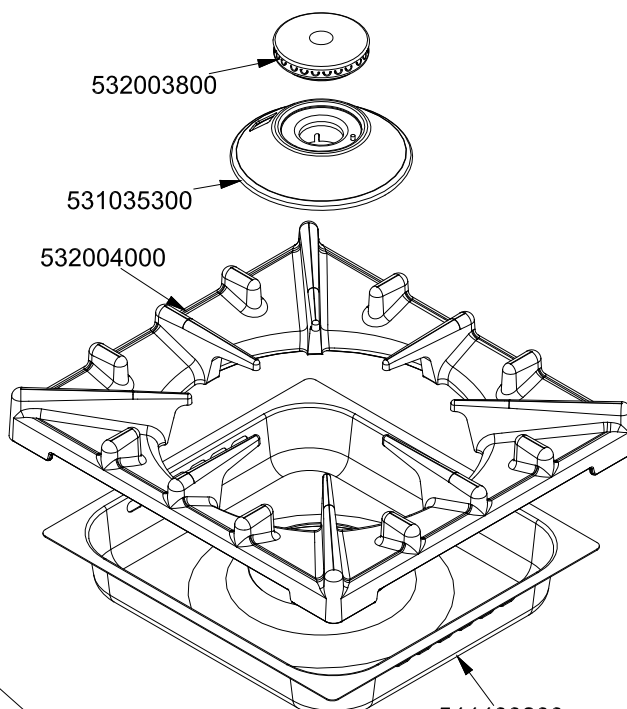


533010900

533052301

533039300

533010800



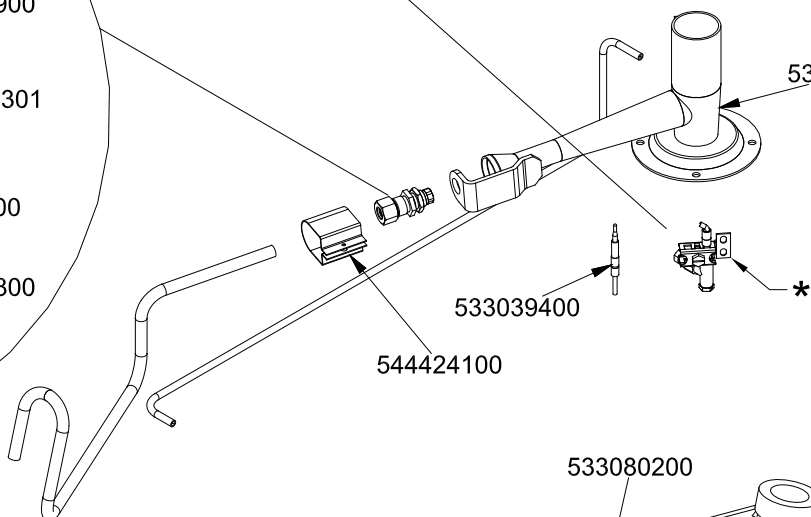
532003800

531035300

532004000

544400200

531035000



533039400

544424100

*



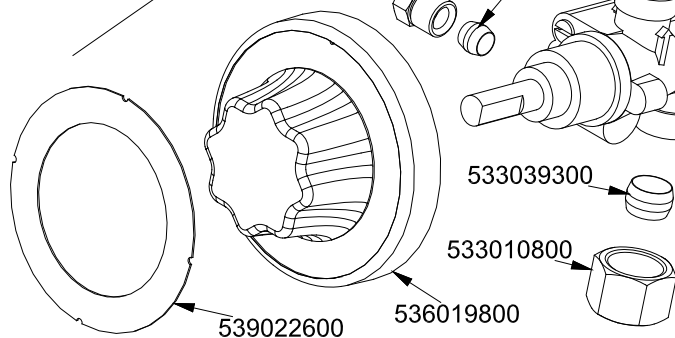
533080200

539018900

531043000

533018500

533039100



533039300

533010800

539022600

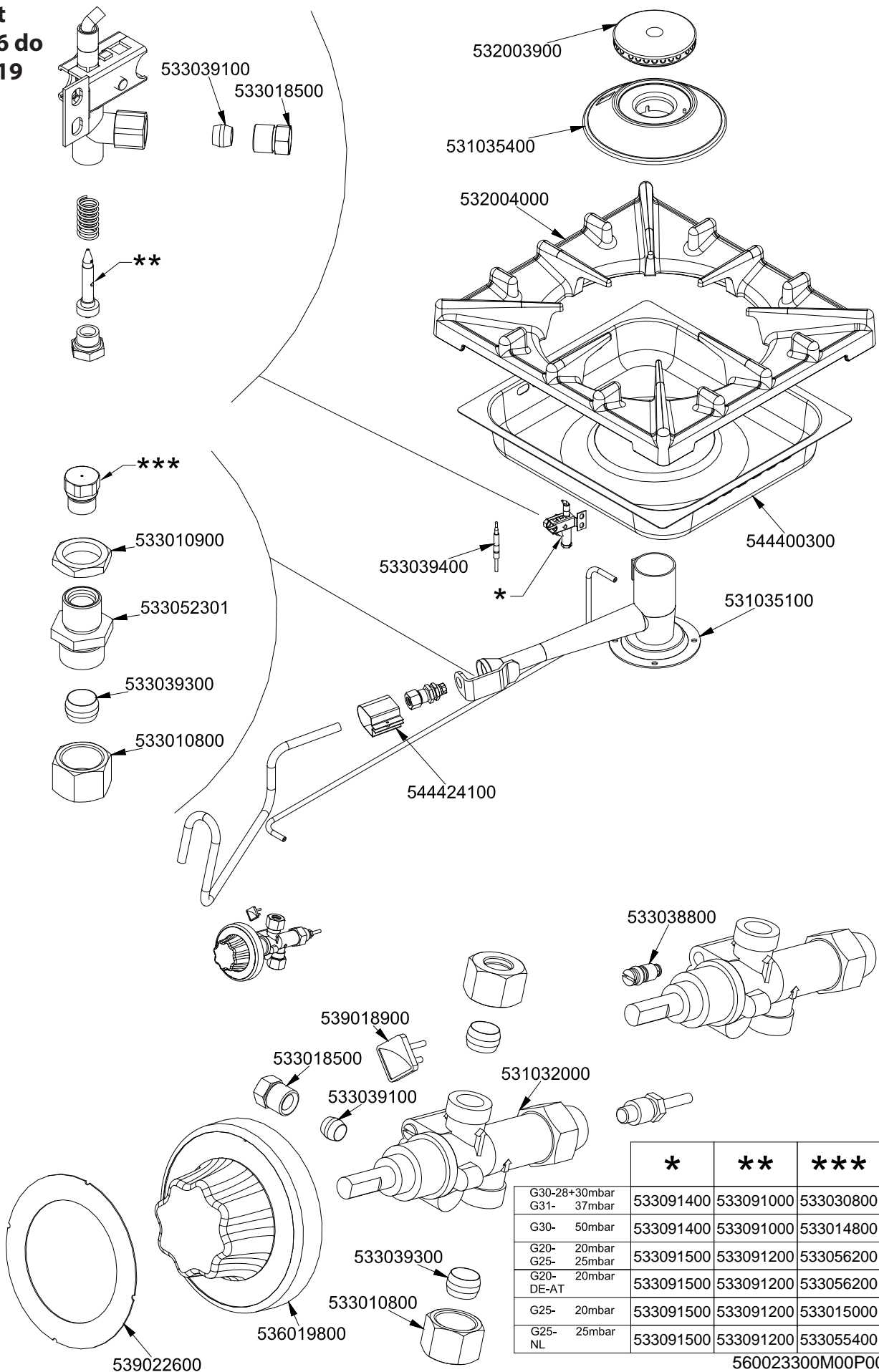
536019800

| | * | ** | *** |
|---------------|-----------|-----------|-----------|
| G30-28+30mbar | 533091400 | 533091000 | 533043800 |
| G31- 37mbar | 533091400 | 533091000 | 533043900 |
| G30- 50mbar | 533091500 | 533091200 | 533044000 |
| G20- 20mbar | 533091500 | 533091200 | 533044000 |
| G25- 25mbar | 533091500 | 533091200 | 533055100 |
| G20- 20mbar | 533091500 | 533091200 | 533055000 |
| DE-AT | | | |
| G25- 20mbar | | | |
| G25- 25mbar | | | |
| NL | | | |

560023200M00P00



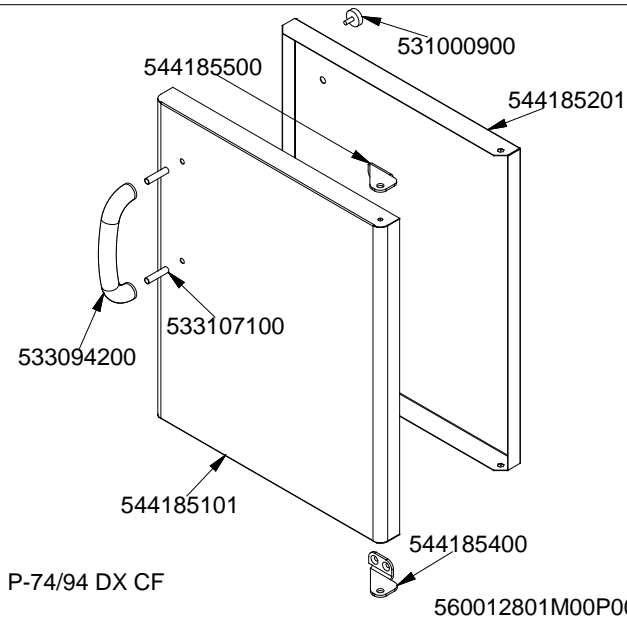
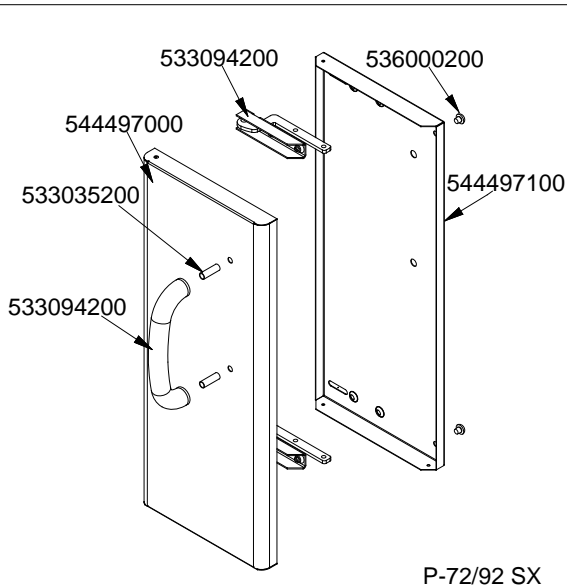
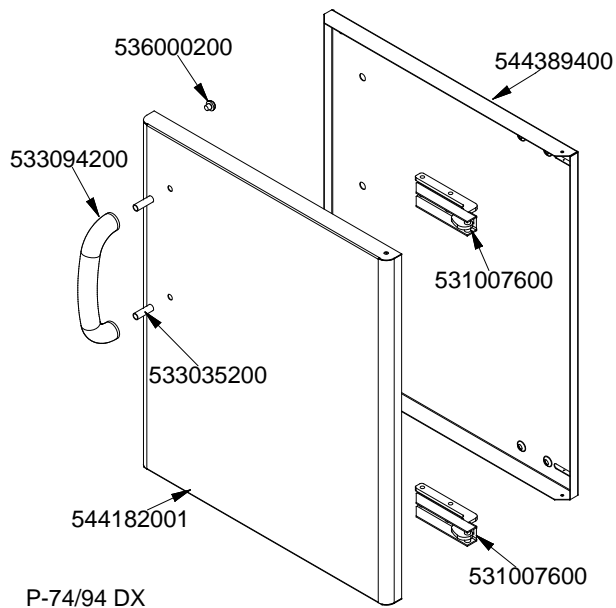
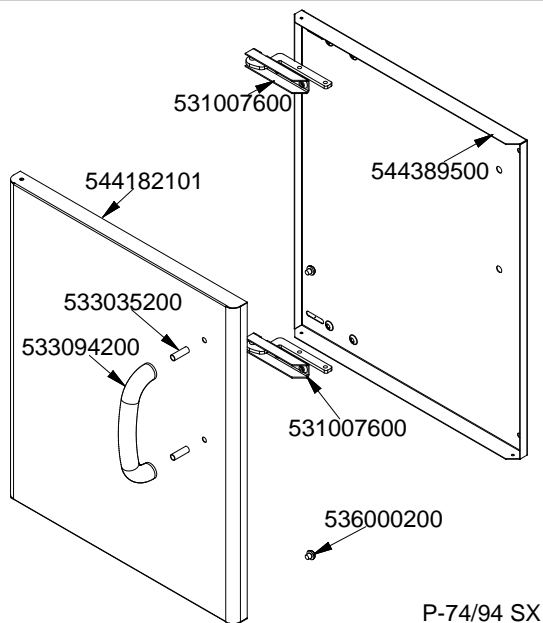
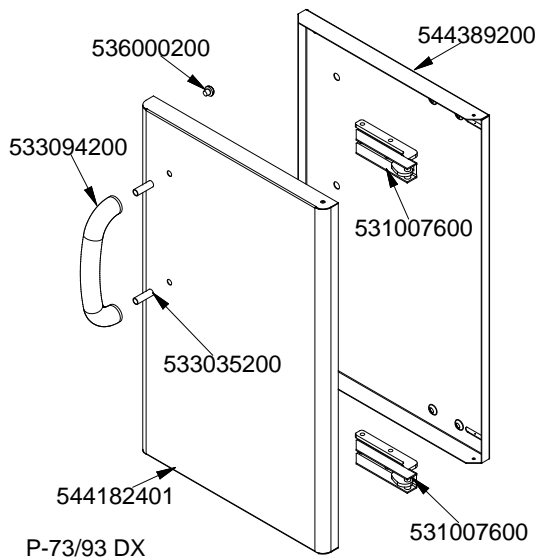
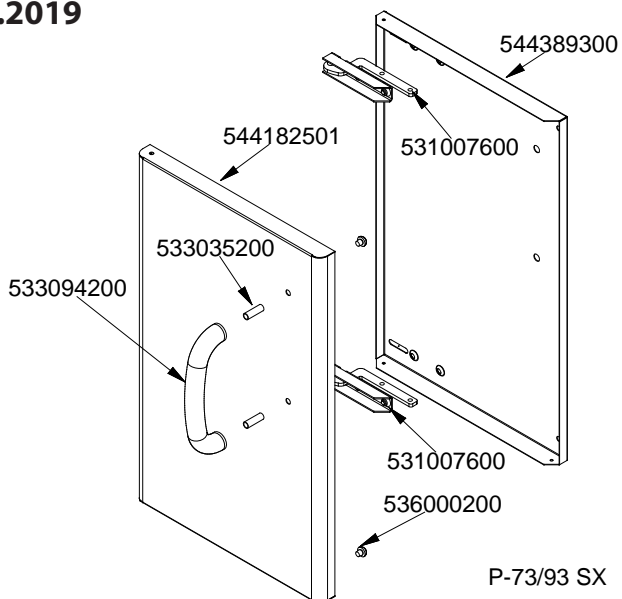
CF6 - 912 GEV
10 kW
Platnost
1.5.2016 do
30.4.2019



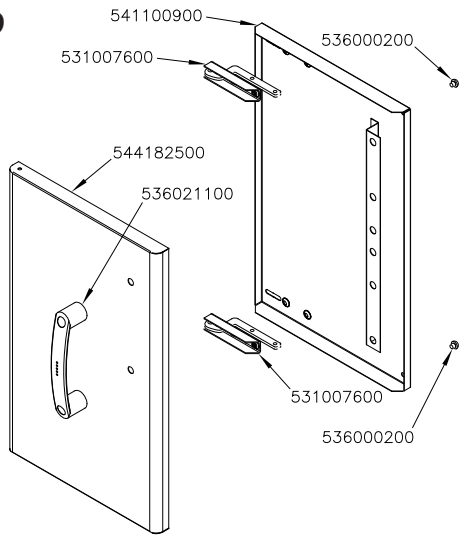
| | * | ** | *** |
|-----------------------------|-----------|-----------|-----------|
| G30-28+30mbar G31-37mbar | 533091400 | 533091000 | 533030800 |
| G30-50mbar | 533091400 | 533091000 | 533014800 |
| G20-20mbar G25-25mbar | 533091500 | 533091200 | 533056200 |
| G20-DE-AT | 533091500 | 533091200 | 533056200 |
| G25-20mbar | 533091500 | 533091200 | 533015000 |
| G25-NL | 533091500 | 533091200 | 533055400 |

560023300M00P00

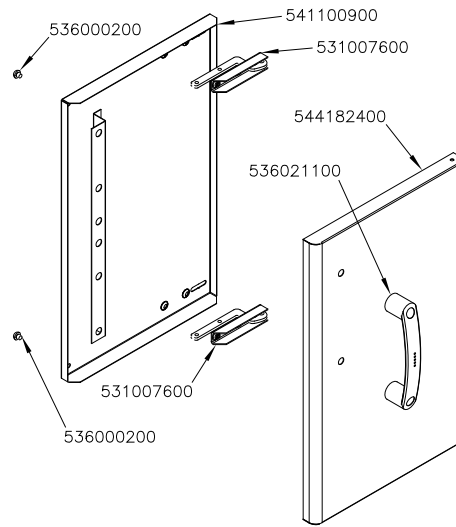
CF6 - 912 GEV
dveře N°od 0602
Platnost
1.5.2016 do
30.4.2019



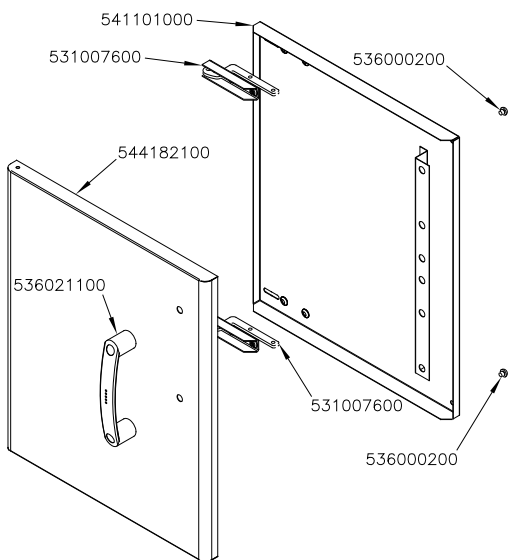
CF6 - 912 GEV
dveře N°do 0601
Platnost
1.5.2016 do
30.4.2019



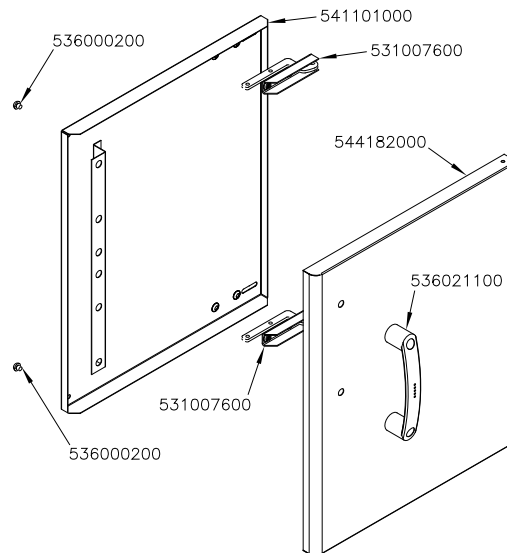
P-73/93 SX



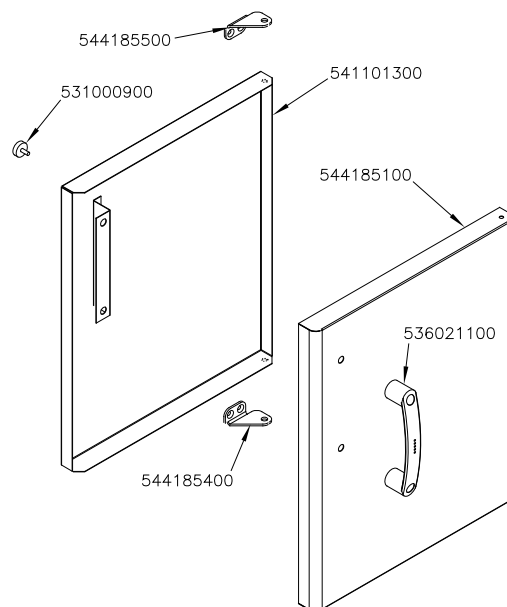
P-73/93 DX



P-74/94 SX



P-74/94 DX



P-74/94 DX CF

560012800M0P00