

Technical data sheet

Product features



Fry-top griddle plate 59x52 electric smooth without cabinet 400 V

Model	SAP Code	00001086
--------------	-----------------	----------



- Top type: Smooth
- Griddle dimensions [mm x mm]: 560 x 510
- Griddle thickness [mm]: 14.00
- Worktop material: Stainless steel
- Container for liquid fat: Yes
- Maximum device temperature [°C]: 300
- Removable rim: Yes

SAP Code	00001086	Power electric [kW]	7.400
Net Width [mm]	600	Loading	400 V / 3N - 50 Hz
Net Depth [mm]	705	Griddle dimensions [mm x mm]	560 x 510
Net Height [mm]	280	Top type	Smooth
Net Weight [kg]	64.00	Worktop type	Molded - comfortable cleaning maintenance

Technical data sheet

Technical drawing

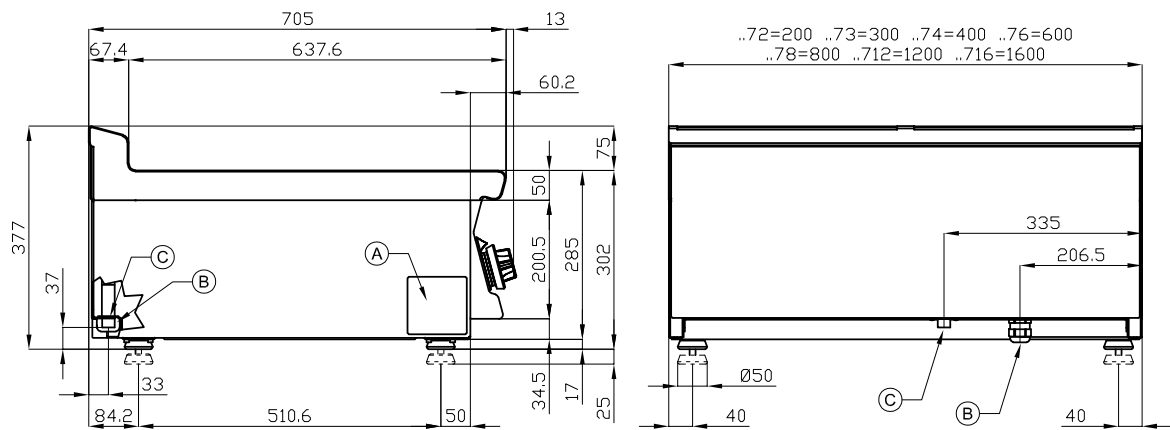


Fry-top griddle plate 59x52 electric smooth without cabinet 400 V

Model

SAP Code

00001086



A	Data plate		B	Electrical connection	
---	------------	--	---	-----------------------	--

Technical data sheet

Product benefits



Fry-top griddle plate 59x52 electric smooth without cabinet 400 V

Model

SAP Code

00001086

1

All-stainless design

long life
resistance of AISI 304 stainless steel material
the material does not cut

- savings on service interventions
- easier and faster operation

2

Degree of protection of the control elements IPX5

maintenance-free system
resistance to splash water
long life

- savings on service interventions
- easy cleaning and maintenance of equipment

3

Outlet for waste liquids

ensures that oil drips into the socket

- easy maintenance
- easy cleaning

4

High detachable hem

better hygienic conditions
preventing grease from splashing onto
ancillary equipment

- easy maintenance
- easy cleaning

5

Smooth steel plate

good heat transfer and the surface does not get scratched
enables preparation on smooth or grooved plates

- time-saving for food preparation
- no reheating and long cooking times

6

Outlet for waste liquids

ensures that oil drips into the socket

- easy maintenance
- easy cleaning

7

Cooking unit for use on a table or on a base

variable use
the possibility of placement in smaller spaces

- easy handling
- cost savings on substructure

Technical data sheet

Technical parameters



Fry-top griddle plate 59x52 electric smooth without cabinet 400 V

Model	SAP Code	00001086
-------	----------	----------

1. SAP Code:

00001086

2. Net Width [mm]:

600

3. Net Depth [mm]:

705

4. Net Height [mm]:

280

5. Net Weight [kg]:

64.00

6. Gross Width [mm]:

630

7. Gross depth [mm]:

770

8. Gross Height [mm]:

540

9. Gross Weight [kg]:

67.00

10. Device type:

Electric unit

11. Construction type of device:

Table top

12. Power electric [kW]:

7.400

13. Loading:

400 V / 3N - 50 Hz

14. Protection of controls:

IPX5

15. Device color:

Stainless steel

16. Material:

Stainless steel

17. Indicators:

operation and warm-up

18. Worktop type:

Molded - comfortable cleaning maintenance

19. Worktop material:

Stainless steel

20. Worktop Thickness [mm]:

2.00

21. Standard equipment for device:

comes with a stainless steel scraper for cleaning pastries

22. Maximum device temperature [°C]:

300

23. Minimum device temperature [°C]:

50

24. Power control type:

knob control

25. Service accessibility:

Trough the frontal panel

26. Safety element:

safety thermostat

27. Safety thermostat:

Yes

28. Adjustable feet:

Yes

Technical data sheet

Technical parameters



Fry-top griddle plate 59x52 electric smooth without cabinet 400 V

Model

SAP Code

00001086

29. Griddle dimensions [mm x mm]:

560 x 510

32. Removable rim:

Yes

30. Griddle thickness [mm]:

14.00

33. Uniform heating:

Yes

31. Container for liquid fat:

Yes

34. Top type:

Smooth