

Technical data sheet

Product features



Electric fryer 13l on cabinet

Model	SAP Code	00019407
--------------	-----------------	----------



- Basin volume [l]: 13
- Drain type: Trough the cabinet
- Maximum device temperature [°C]: 190
- Minimum device temperature [°C]: 50
- Material: AISI 304 top plate and cladding
- Heating location: Inside the tank
- Number of baskets: 1
- Basket dimensions [mm x mm x mm]: 215 x 300 x 120

SAP Code	00019407	Loading	400 V / 3N - 50 Hz
Net Width [mm]	400	Basin volume [l]	13
Net Depth [mm]	730	Number of basins	1
Net Height [mm]	900	Number of baskets	1
Net Weight [kg]	46.00	Basket dimensions [mm x mm x mm]	215 x 300 x 120
Power electric [kW]	9.900	Ratio power/volume [kW/l]	0.76

Technical data sheet

Technical drawing

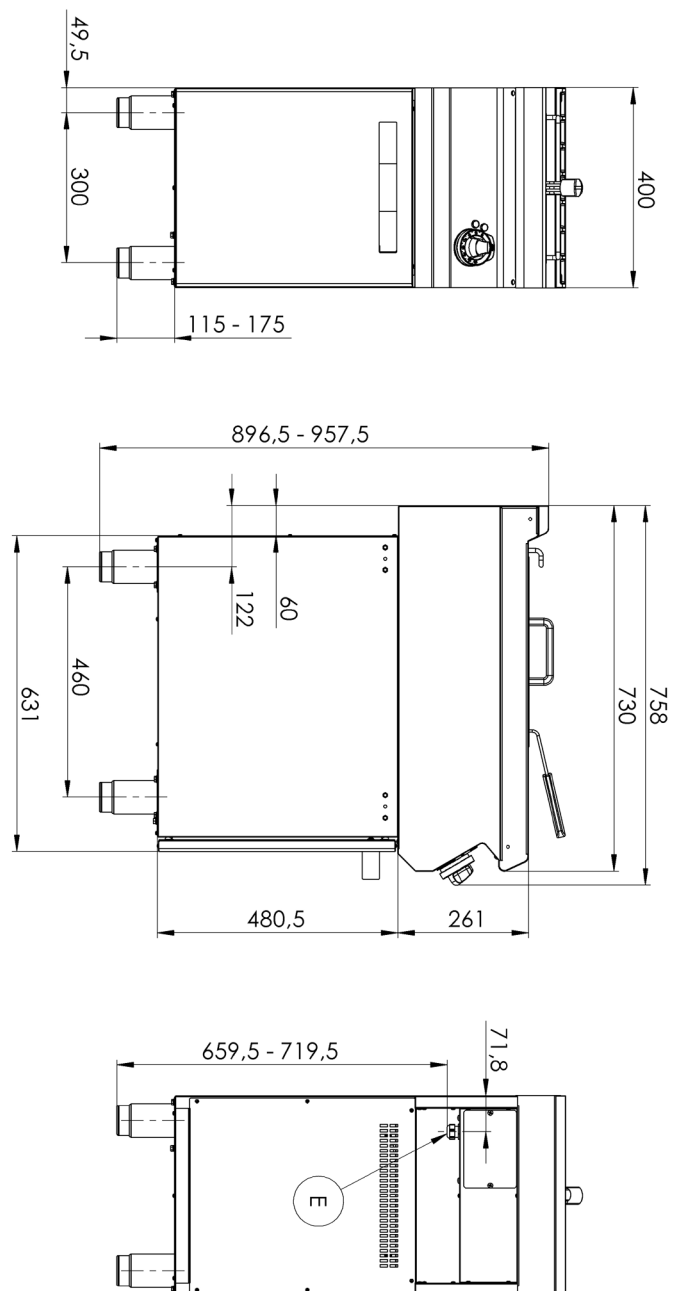


Electric fryer 13l on cabinet

Model

SAP Code

00019407



Technical data sheet

Technical parameters



Electric fryer 13l on cabinet

Model

SAP Code

00019407

1. SAP Code:

00019407

2. Article group:

Fryers

3. Net Width [mm]:

400

4. Net Depth [mm]:

730

5. Net Height [mm]:

900

6. Net Weight [kg]:

46.00

7. Gross Width [mm]:

440

8. Gross depth [mm]:

800

9. Gross Height [mm]:

1065

10. Gross Weight [kg]:

52.00

11. Device type:

Electric unit

12. Construction type of device:

With substructure

13. Power electric [kW]:

9.900

14. Loading:

400 V / 3N - 50 Hz

15. Protection of controls:

IPX4

16. Device color:

Stainless steel

17. Material:

AISI 304 top plate and cladding

18. Indicators:

operation and warm-up

19. Worktop type:

Molded - comfortable cleaning maintenance

20. Worktop material:

AISI 304

21. Worktop Thickness [mm]:

1.50

22. Device heating type:

Direct

23. Standard equipment for device:

lid and basket

24. Basin volume [l]:

13

25. Basin dimensions [mm x mm x mm]:

265 x 346 x 200

26. Maximum device temperature [°C]:

190

27. Minimum device temperature [°C]:

50

28. Safety thermostat:

Yes

Technical data sheet

Technical parameters



Electric fryer 13l on cabinet

Model

SAP Code

00019407

29. Heating element material:

AISI 304

33. Basin material:

AISI 304 - High quality stainless steel

30. Number of baskets:

1

34. Ratio power/volume [kW/l]:

0.76

31. Number of basins:

1

35. Drain type:

Trough the cabinet

32. Basket dimensions [mm x mm x mm]:

215 x 300 x 120

36. Heating location:

Inside the tank