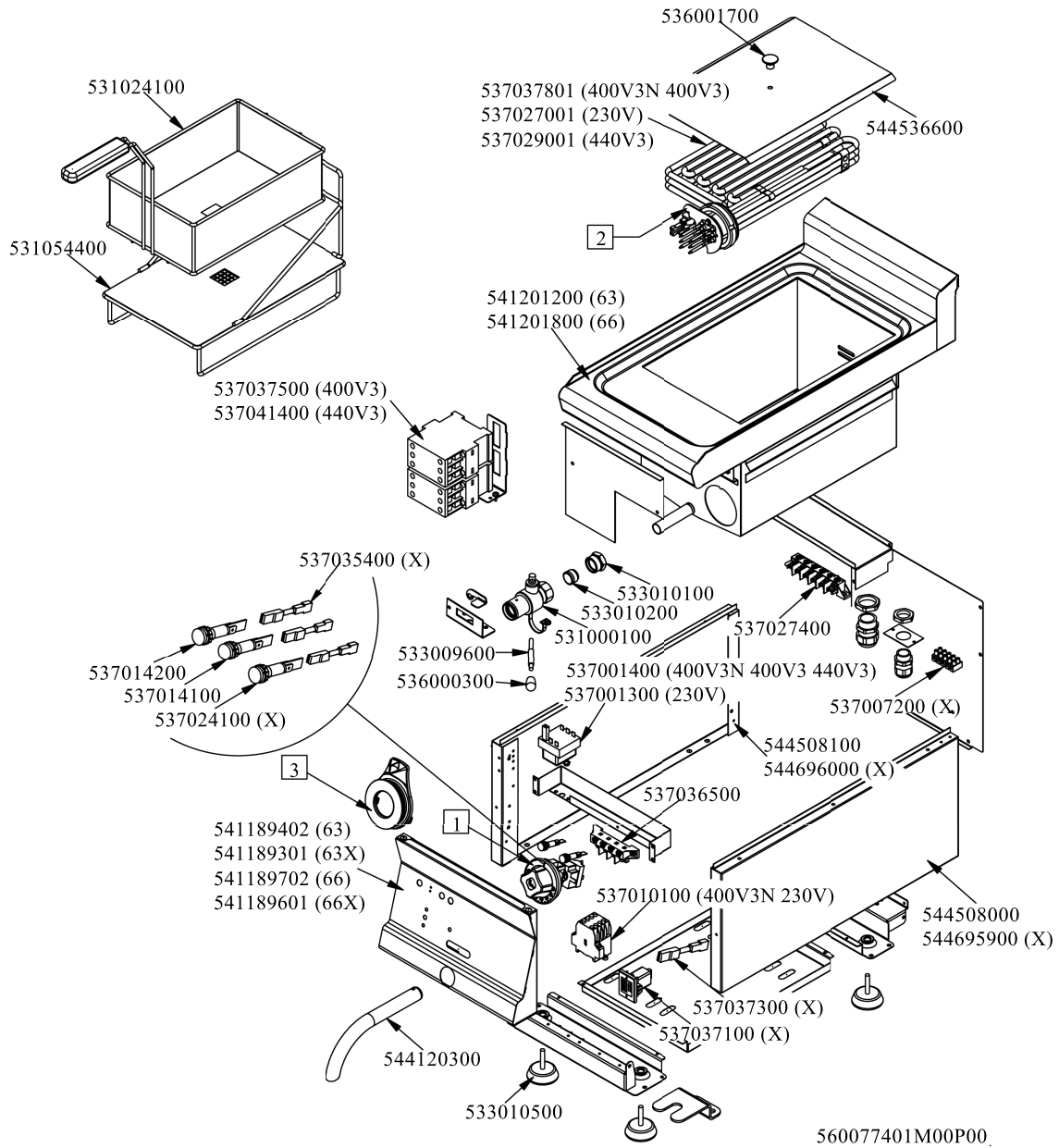
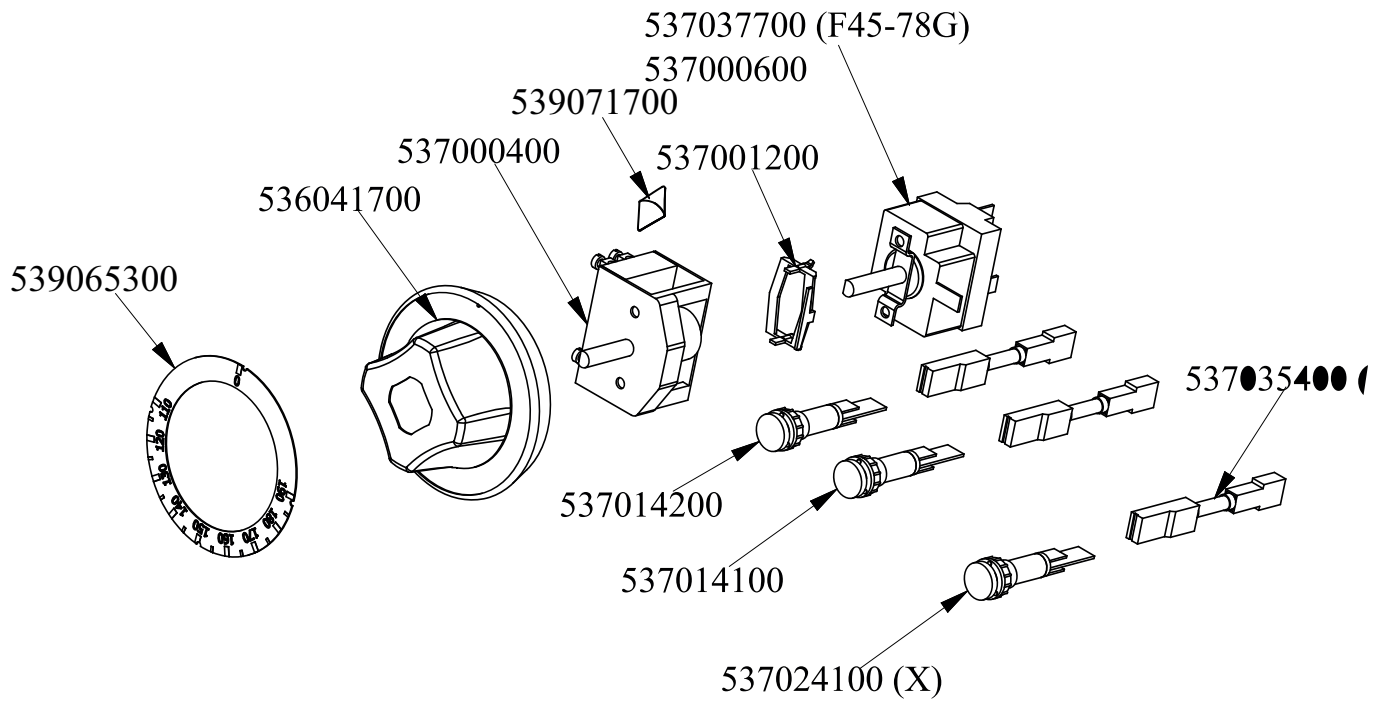


RM 600
 Platný od 1.5. 2019
 F10T-63ET





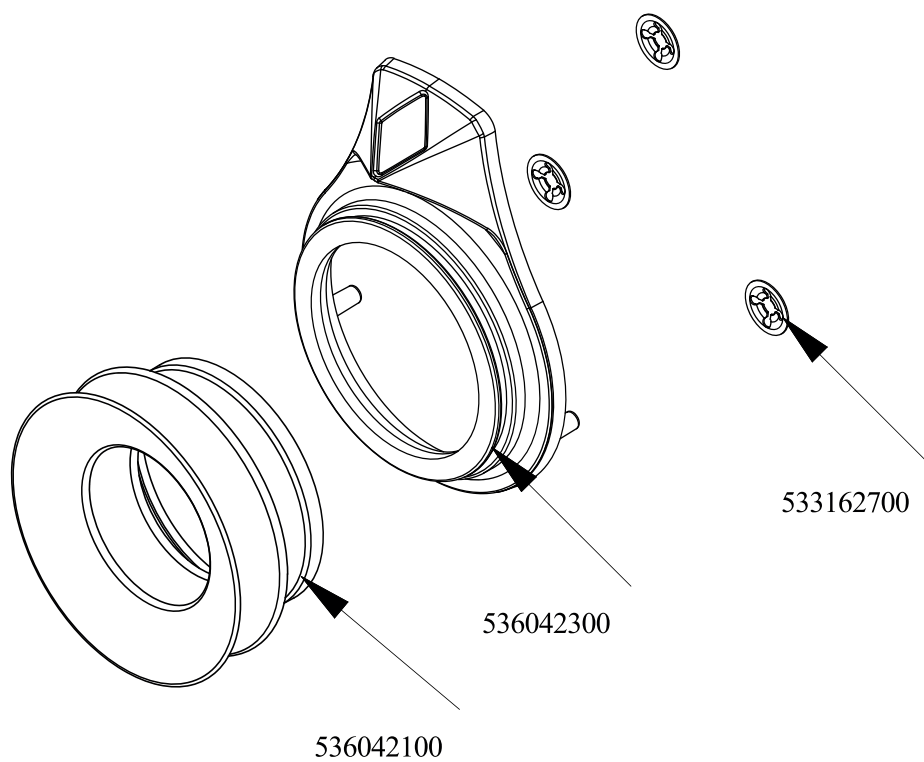
| Objednací kód | Popis v ENG |
|---------------|-------------------------------------|
| 531054400 | TANK COVER FOR F10T-E |
| 531024100 | FRYER BASKET 200X300X100 |
| 536001700 | GRIP D.25*19*M6 |
| 544536600 | TANK LID OF F10T-E |
| 541201200 | UPPER PLATE FOR F 10 T-63E |
| 541189402 | |
| 544508100 | LHD SIDE OF 60T APPLIANCES |
| 531000100 | DRAIN COCK 3/4" |
| 533010200 | BICONE 18S |
| 533010100 | 3/4 D. 18 PIPE UNION |
| 537001300 | SAFETY THERMOST.235°C SINGLEPH+NUT |
| 537036500 | TERMINAL BLOCK 4POLES 40A SCREW-SCR |
| 544120300 | DRAIN PIPE 22 FOR COCK 3/4"G |
| 544508000 | RHD SIDE OF 60T APPLIANCES |
| 533010500 | LEG M10*25 D.40 |
| 536000300 | FIXED GRIP D.15*25*M6 |
| 533009600 | DRAIN COCK HANDLE |
| 537027400 | TERMINAL BLOCK THREEPHASE 40A |
| 537014200 | GREEN WARNING LIGHT 250V |
| 537014100 | WHITE WARNING LIGHT 250V |
| 537027001 | HEATING ELEMENT 4000W 1-230V |
| - | - |
| - | - |
| - | - |



560100201M00P00



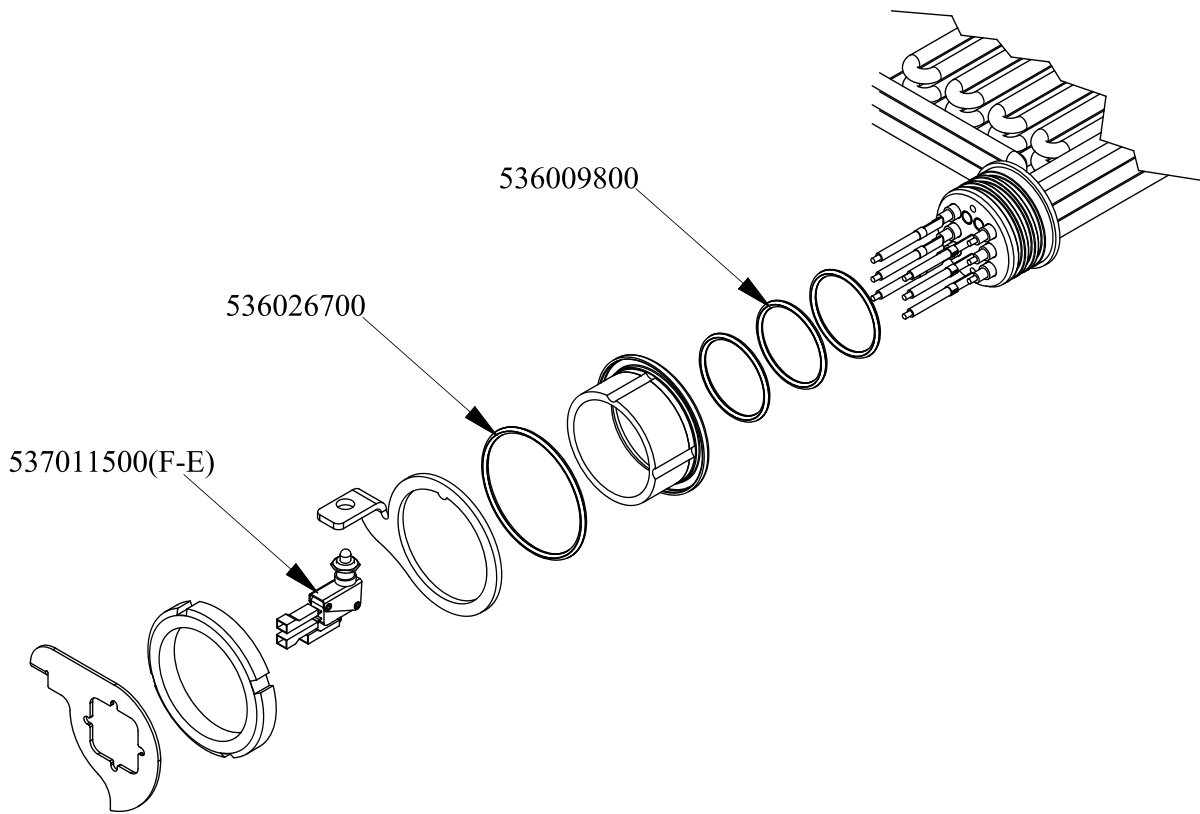
| Objednací kód | Popis v ENG |
|---------------|-------------------------------------|
| 539065300 | BLACK STICKING DISK 72 (110,190°) |
| 536041700 | SILVER CHROM. KNOB Ø77 4P.G.Ø06X4,6 |
| 537000400 | COMMUTATOR 1POS.SINGLEPHASE S49 16A |
| 539071700 | ADHES.LABEL FOR RING GREEN SIGN. |
| 537001200 | FIXING BRACKET FOR THERMOSTAT/COMM. |
| 537037700 | THERMOSTAT MONOPHASE 104-192°C |
| 537000600 | THERMOSTAT 90-180°C SINGLEPHASE |
| 537014200 | GREEN WARNING LIGHT 250V |
| 537014100 | WHITE WARNING LIGHT 250V |
| 537024100 | RED WARNING LIGHT LOW BUD 110V |
| 537035400 | HEATING ELEMENT 00003W 330KOHM W/F |



560125700M00P00



| Objednačí kód | Popis v ENG |
|---------------|-------------------------------------|
| 536042300 | SILVER CHROM. RING FOR KNOB Ø77 4 P |
| 536042100 | SEAL CASING FOR KNOB Ø77 4 P |
| 533162700 | PROCESSING CODE |



560111000M00P00



| Objednací kód | Popis v ENG |
|---------------|--------------------------------|
| 536009800 | GASKET O-RING 47,22X3,53 VITON |
| 536026700 | GASKET O-RING 74,61X3,53 VITON |
| 537011500 | MICRO-SWITCH 10A 400V |



F10T - 63 ET, F10T - 63 EM, F2/10T - 66 ET, F2/10T - 66 EM

Platný od 1.5.2016

do 30.4.2019

