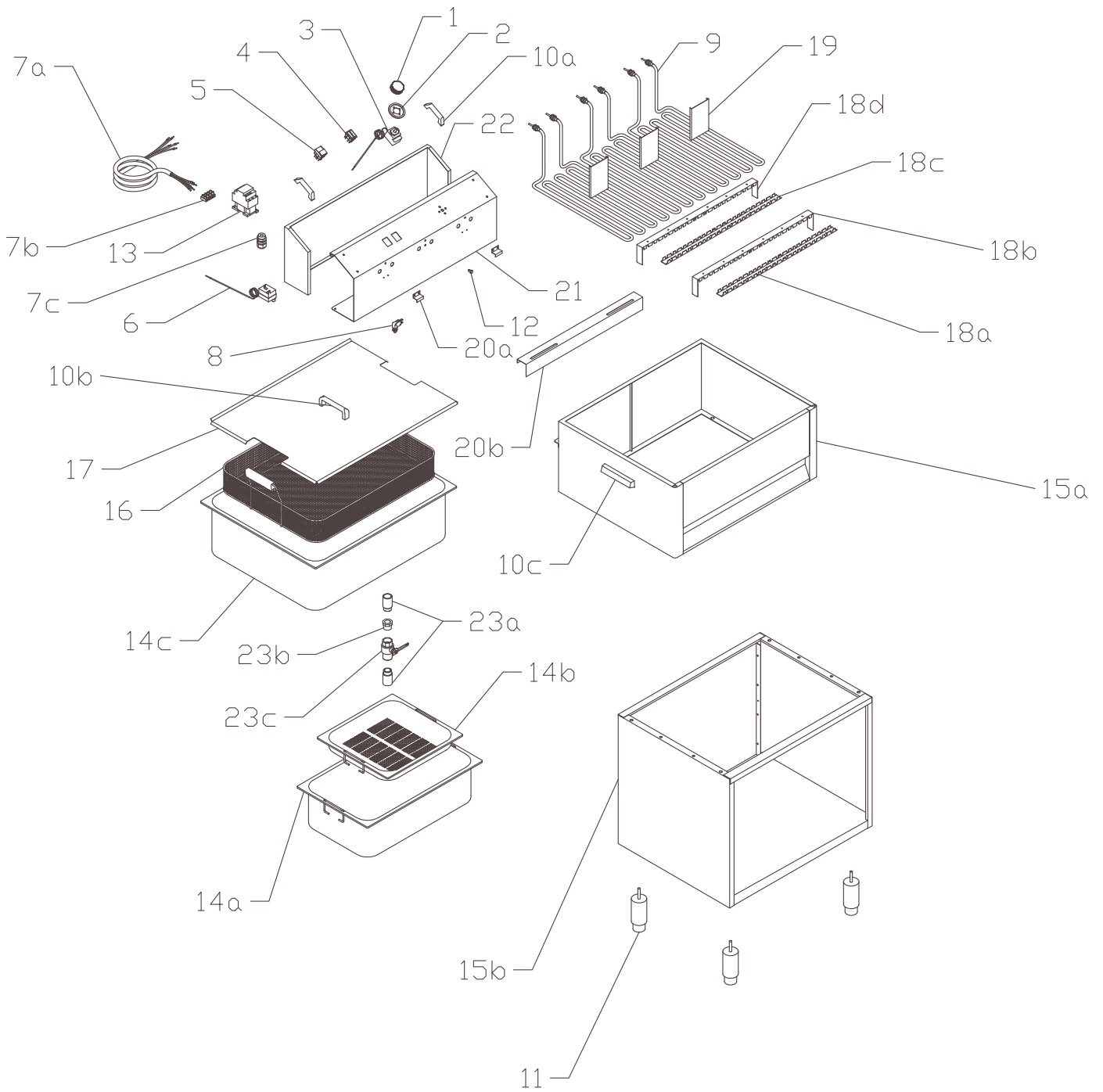




FE-60/P
od 10-2012



**FE-60/P**
od 10-2012

FE-60/P	
Pozice	Kód
1	402592000
2	402595000
3	402502000
4	401510000
5	401500530
6	402511000
7a	402010700
7b	402080100
7c	402086016
8	401520000
9	401003000
10a	407801100
10b	407802100
10c	407800100
11	407812200
12	408703100
13	401531050
14a	500111150
14b	500123040
14c	500112300
15a	500160100
15b	153000260
16	408001060
17	500160700
18a	450185850
18b	450185450
18c	450185800
18d	450185400
19	450146500
20a	450153050
20b	450185600
21	500160000
22	450185300
23a	409032340
23b	409017100
23c	409001200

Exploded view

TABLE A: LABELS

MODEL	CODE	NOTE
VT	402594273	
TO - 940	402594234	Switch
TO - 940	402594235	Timer
TO - 960	402594234	Switch
TO - 960	402594235	Timer
TO - 920	402594233	Switch
TO - 920	402594235	Timer
TO - 930	402594233	Switch
TO - 930	402594235	Timer
VEC	402594241	
PM - LTF	402594244	
KD	402594243	
FP - 36	402594237	
FP - 66		
FP - 37		
FP - 67		
FT	402594247	
PD		
PM		
PS		
FP - 38		
FP - 68		
FE	402594272	
BM	402594236	
BMV		
HD		
WE		
WEV		
OTS		
UH		
BM-D	402594271	
SE		
CW		
GV		

