

Technical data sheet

Product features



Gas fryer 13l

Model	SAP Code	00013664
--------------	-----------------	----------



- Basin volume [l]: 13
- Drain: Yes
- Material: AISI 304
- Ignition: Electric
- Number of baskets: 1
- Basket dimensions [mm x mm x mm]: 280 x 290 x 100

SAP Code	00013664	Power gas [kW]	12.000
Net Width [mm]	400	Type of gas	Propane butane, natural gas
Net Depth [mm]	900	Basin volume [l]	13
Net Height [mm]	280	Number of basins	1
Net Weight [kg]	50.00	Number of baskets	1
Power electric [kW]	0.005	Basket dimensions [mm x mm x mm]	280 x 290 x 100
Loading	230 V / 1N - 50 Hz	Production of fries [kg/h]	10

Technical data sheet

Technical drawing

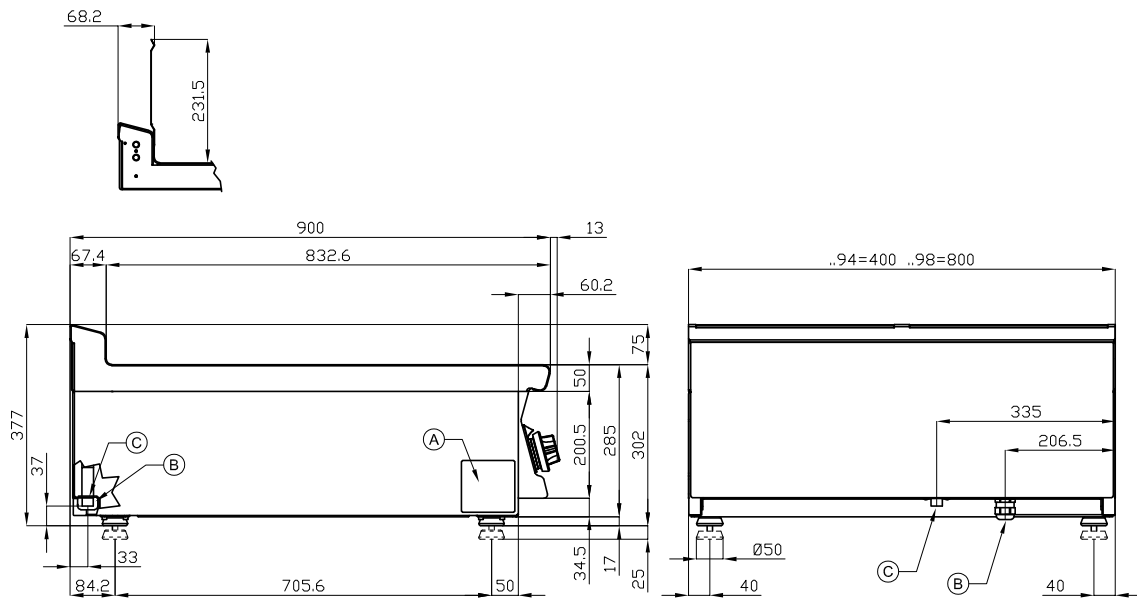


Gas fryer 13l

Model

SAP Code

00013664



A	Data plate	C	Gas connection	ISO 7-1 1/2" M
---	------------	---	----------------	----------------

Technical data sheet

Technical parameters



Gas fryer 13l

Model

SAP Code

00013664

1. SAP Code:

00013664

2. Net Width [mm]:

400

3. Net Depth [mm]:

900

4. Net Height [mm]:

280

5. Net Weight [kg]:

50.00

6. Gross Width [mm]:

430

7. Gross depth [mm]:

970

8. Gross Height [mm]:

540

9. Gross Weight [kg]:

60.00

10. Device type:

Gas unit

11. Construction type of device:

Table top

12. Power electric [kW]:

0.005

13. Loading:

230 V / 1N - 50 Hz

14. Power gas [kW]:

12.000

15. Ignition:

Electric

16. Type of gas:

Propane butane, natural gas

17. Protection of controls:

IPX5

18. Device color:

Stainless steel

19. Material:

AISI 304

20. Indicators:

operation and warm-up

21. Worktop type:

Molded - comfortable cleaning maintenance

22. Basin volume [l]:

13

23. Basin dimensions [mm x mm x mm]:

315 x 345 x 225

24. Safety thermocouple:

Yes

25. Adjustable feet:

Yes

26. Heating element material:

AISI 304

27. Number of baskets:

1

28. Number of basins:

1

Technical data sheet

Technical parameters



Gas fryer 13l

Model

SAP Code

00013664

29. Basket dimensions [mm x mm x mm]:

280 x 290 x 100

31. Production of fries [kg/h]:

10

30. Basin material:

AISI 304 - High quality stainless steel

32. Drain:

Yes