

Technical data sheet

Product features



Cooking range vodní gas 6x burner on open cabinet

Model	SAP Code	00007436
--------------	-----------------	----------



- Device type: Gas unit
- Power consumption of the zone 1 [kW]: 8,5
- Power consumption of the zone 2 [kW]: 8,5
- Power consumption of the zone 3 [kW]: 8,5
- Power consumption of the zone 4 [kW]: 5,5
- Power consumption of the zone 5 [kW]: 5,5
- Power consumption of the zone 6 [kW]: 5,5
- Ignition: Eternal flame
- Protection of controls: IPX5
- Material: AISI 304

SAP Code	00007436	Number of zones	6
Net Width [mm]	1200	Power consumption of the zone 1 [kW]	8,5
Net Depth [mm]	900	Power consumption of the zone 2 [kW]	8,5
Net Height [mm]	900	Power consumption of the zone 3 [kW]	8,5
Net Weight [kg]	132.00	Power consumption of the zone 4 [kW]	5,5
Power gas [kW]	42.000	Power consumption of the zone 5 [kW]	5,5
Type of gas	Natural gas, propane butane	Power consumption of the zone 6 [kW]	5,5

Technical data sheet

Technical drawing

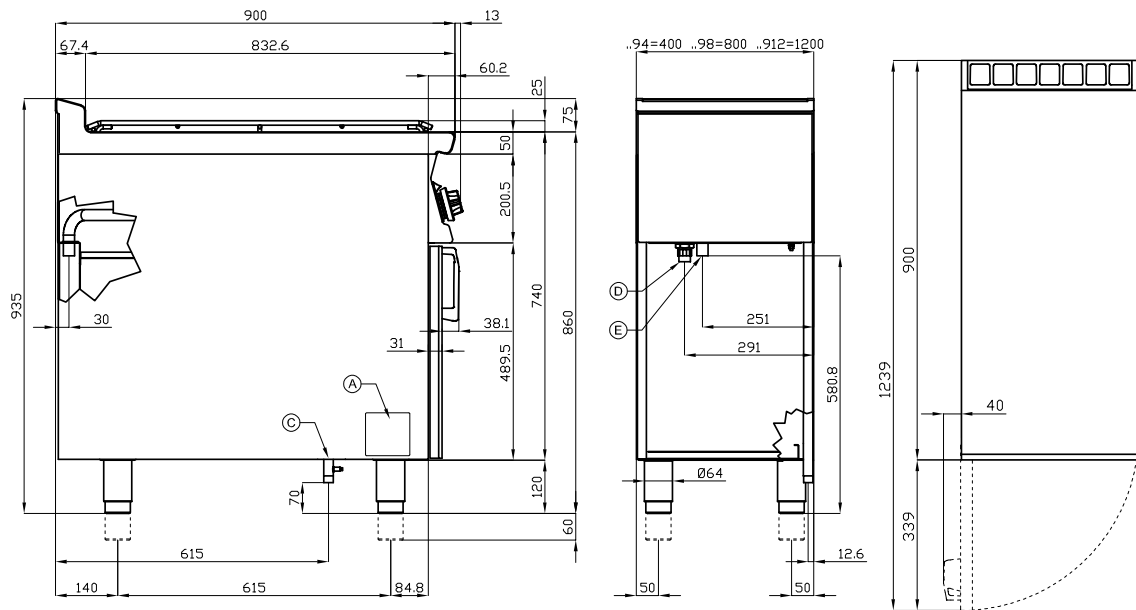


Cooking range vodní gas 6x burner on open cabinet

Model

SAP Code

00007436



A	Data plate		C	Gas connection	ISO 7-1 1/2" M
D	Cold water connection	ISO 7-1 3/4" M	E	Water drainage	Ø25mm

Technical data sheet

Product benefits



Cooking range vodní gas 6x burner on open cabinet

Model

SAP Code

00007436

1

Massive construction of burners

high performance and efficiency
cast iron burners removable
long life

- energy saving (perfect combustion)
- time saving for food preparation
- easy maintenance/cleaning

2

Hygienic moldings of the top plate

absence of sharp corners and edges (potential places where dirt could stick)
smooth transitions

- easy quick cleaning

3

Degree of protection of the control elements IPX5

maintenance-free system
resistance to splash water
long life

- savings on service interventions
- easy cleaning and maintenance of equipment

4

All-stainless design

the material does not cut
wear resistance of the material
long life

- savings on service interventions
- easy cleaning and maintenance of equipment

5

Safety element – thermocouple

safe operation for personnel
there is no overheating and damage to the thallus
long life

- savings on service interventions
- easier and faster operation

6

Container for liquids under the burners water barrier

long service life of the surface, food residues fall into the water
material resistance
integrated water intake

- savings on service interventions
- easy cleaning and maintenance of equipment

Technical data sheet

Technical parameters



Cooking range vodní gas 6x burner on open cabinet

Model

SAP Code

00007436

1. SAP Code:

00007436

2. Net Width [mm]:

1200

3. Net Depth [mm]:

900

4. Net Height [mm]:

900

5. Net Weight [kg]:

132.00

6. Gross Width [mm]:

1230

7. Gross depth [mm]:

970

8. Gross Height [mm]:

1110

9. Gross Weight [kg]:

142.00

10. Device type:

Gas unit

11. Construction type of device:

With substructure

12. Power gas [kW]:

42.000

13. Ignition:

Eternal flame

14. Type of gas:

Natural gas, propane butane

15. Protection of controls:

IPX5

16. Device color:

Stainless steel

17. Material:

AISI 304

18. Worktop type:

Molded - comfortable cleaning maintenance

19. Worktop material:

AISI 304

20. Worktop Thickness [mm]:

2.00

21. Number of zones:

6

22. Power consumption of the zone 1 [kW]:

8,5

23. Power consumption of the zone 2 [kW]:

8,5

24. Power consumption of the zone 3 [kW]:

8,5

25. Power consumption of the zone 4 [kW]:

5,5

26. Power consumption of the zone 5 [kW]:

5,5

27. Power consumption of the zone 6 [kW]:

5,5

28. Number of power control stages:

6

Technical data sheet

Technical parameters



Cooking range vodní gas 6x burner on open cabinet

Model

SAP Code

00007436

29. Grid material:

Cast iron

33. Number of burners/hot plates:

6

30. Service accessibility:

From the front by removing the front panel and waste fluid containers

34. Type of gas cooking zones:

Classic

31. Safety thermocouple:

Yes

35. Burner type:

Brass, detachable

32. Adjustable feet:

Yes