

Technical data sheet



Product features

Model	SAP Code	00110061
FTH 70/40 G	A group of articles - web	Grills and grill plates



- Top type: Smooth
- Griddle dimensions [mm x mm]: 396 x 510
- Griddle thickness [mm]: 12.00
- Worktop material: Sandblasted steel
- Container for liquid fat: Yes
- Maximum device temperature [°C]: 300
- Surface finish: sandblasted surface without coating
- Removable rim: Yes
- Ignition: Piezo + večný plamen

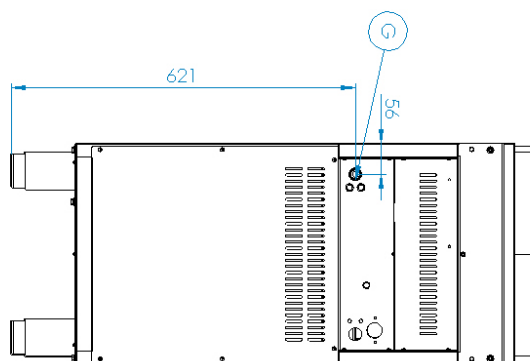
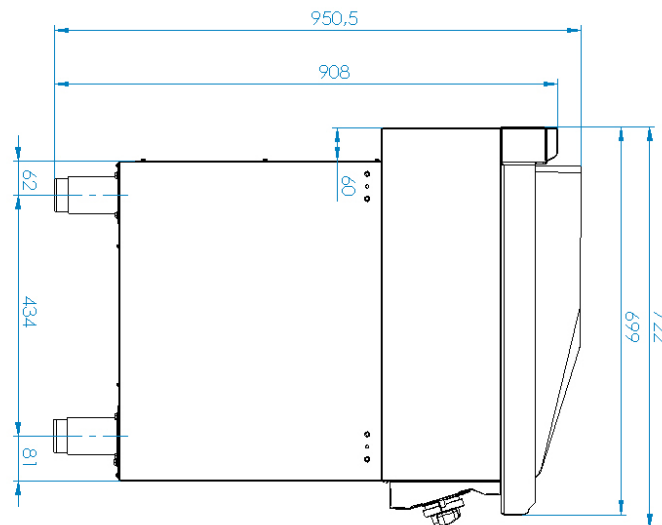
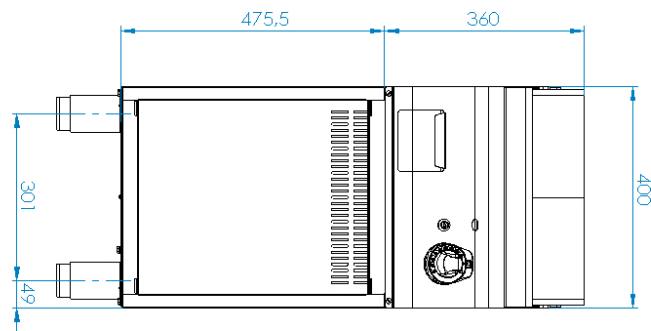
SAP Code	00110061	Power gas [kW]	7.000
Net Width [mm]	400	Type of gas	Natural gas, propane butane
Net Depth [mm]	700	Griddle dimensions [mm x mm]	396 x 510
Net Height [mm]	900	Top type	Smooth
Net Weight [kg]	49.00	Worktop type	Molded - comfortable cleaning maintenance

Technical data sheet



Technical drawing

Model	SAP Code	00110061
FTH 70/40 G	A group of articles - web	Grills and grill plates



Technical data sheet



Product benefits

Model	SAP Code	00110061
FTH 70/40 G	A group of articles - web	Grills and grill plates

1 | **Safety element – thermocouple**

- safe service for staff
- there is no unnecessary gas leakage
- long life
 - savings on service interventions
 - easier and faster operation

2 | **All-stainless design**

- long life
- corrosion resistance of the top plate material
 - savings on service interventions
 - higher corrosion resistance

3 | **Degree of protection of the control elements IPX4**

- maintenance-free system
- resistance to splash water
- long life
 - savings on service interventions
 - easy cleaning and maintenance of equipment

4 | **Outlet for waste liquids**

- ensures that oil drips into the socket
 - easy maintenance
 - easy cleaning

5 | **High detachable hem**

- better hygienic conditions
- preventing grease from splashing onto ancillary equipment
 - easy maintenance
 - easy cleaning

6 | **Smooth steel plate**

- good heat transfer
- uniform heating
 - time-saving for food preparation
 - no reheating and long cooking times

Technical data sheet



Technical parameters

Model	SAP Code	00110061
FTH 70/40 G	A group of articles - web	Grills and grill plates

1. SAP Code:

00110061

2. Article group:

RF-Line 700

3. Net Width [mm]:

400

4. Net Depth [mm]:

700

5. Net Height [mm]:

900

6. Net Weight [kg]:

49.00

7. Gross Width [mm]:

440

8. Gross depth [mm]:

800

9. Gross Height [mm]:

975

10. Gross Weight [kg]:

57.00

11. Device type:

Gas unit

12. Construction type of device:

Stationary

13. Power gas [kW]:

7.000

14. Ignition:

Piezo + večný plamen

15. Type of gas:

Natural gas, propane butane

16. Protection of controls:

IPX4

17. Material:

AISI 304 top plate, AISI 430 cladding

18. Worktop type:

Molded - comfortable cleaning maintenance

19. Worktop material:

Sandblasted steel

20. Worktop Thickness [mm]:

1.20

21. Surface finish:

sandblasted surface without coating

22. Maximum device temperature [°C]:

300

23. Minimum device temperature [°C]:

50

24. Service accessibility:

Trough the frontal panel

25. Safety thermocouple:

Yes

26. Safety thermostat:

Yes

27. Adjustable feet:

Yes

28. Griddle dimensions [mm x mm]:

396 x 510

29. Griddle thickness [mm]:

12.00

30. Container for liquid fat:

Yes

31. Removable rim:

Yes

32. Top type:

Smooth