

Technical data sheet

Product features



Cooking range solid top gas 3x burner on open cabinet

Model	SAP Code	00004656
--------------	-----------------	----------



- Device type: Gas unit
- Power consumption of the zone 1 [kW]: 10
- Power consumption of the zone 2 [kW]: 7
- Power consumption of the zone 3 [kW]: 7
- Ignition: Piezo + Eternal Flame
- Protection of controls: IPX5
- Material: AISI 304

SAP Code	00004656	Type of gas	Natural gas, propane butane
Net Width [mm]	800	Number of zones	3
Net Depth [mm]	900	Power consumption of the zone 1 [kW]	10
Net Height [mm]	900	Power consumption of the zone 2 [kW]	7
Net Weight [kg]	135.00	Power consumption of the zone 3 [kW]	7
Power gas [kW]	24.000	Solid top dimensions [mm x mm]	370 x 730

Technical data sheet

Technical drawing

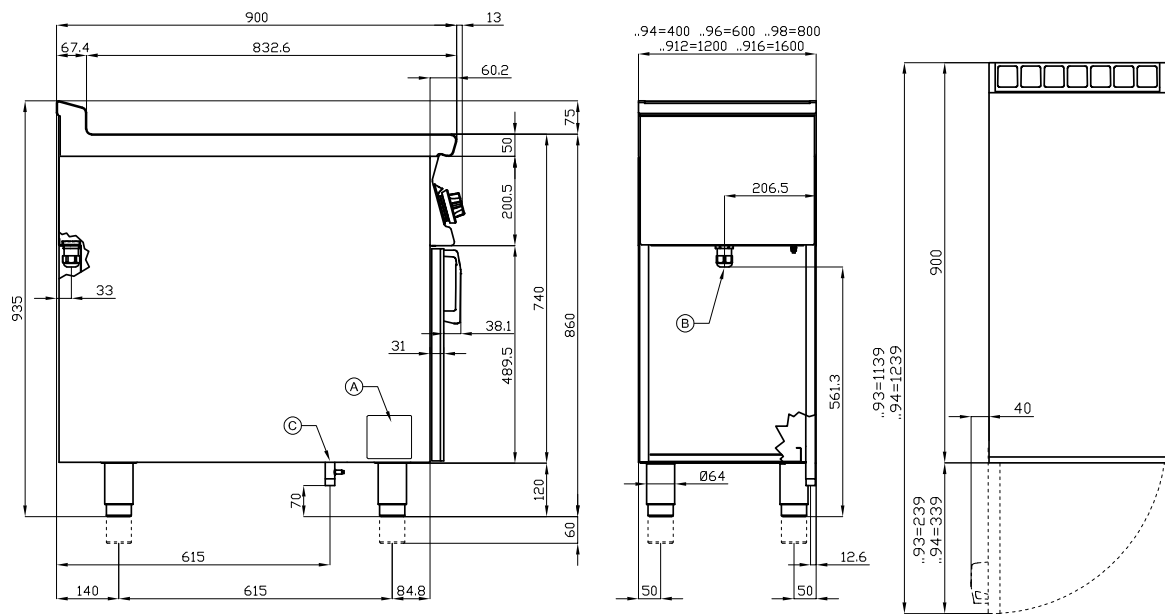


Cooking range solid top gas 3x burner on open cabinet

Model

SAP Code

00004656



A	Data plate		C	Gas connection	ISO 7-1 1/2" M
---	------------	--	---	----------------	----------------

Technical data sheet

Product benefits



Cooking range solid top gas 3x burner on open cabinet

Model	SAP Code	00004656
-------	----------	----------

1

Massive construction of burners

high performance and efficiency
cast iron burners removable
long life

- energy saving (perfect combustion)
- time saving for food preparation
- easy maintenance/cleaning

2

Hygienic moldings of the top plate

absence of sharp corners and edges (potential places where dirt could stick)
smooth transitions

- easy quick cleaning

3

Degree of protection of the control elements IPX5

maintenance-free system
resistance to splash water
long life

- savings on service interventions
- easy cleaning and maintenance of equipment

4

All-stainless design

the material does not cut
wear resistance of the material
long life

- savings on service interventions
- easy cleaning and maintenance of equipment

5

Safety element - thermocouple

safe operation for personnel
there is no overheating and damage to the thallus
long life

- savings on service interventions
- easier and faster operation

6

Piezoelectric ignition

instant flame ignition
there is no unnecessary gas leakage
long life

- savings on service interventions
- easier and faster operation

7

Massive thal

15mm material ensures even distribution of heat and heating of the product (heat several pots at the same time at the same temperature)

material resistance
long life

- time saving
- ease of operation
- savings on service interventions

Technical data sheet

Technical parameters



Cooking range solid top gas 3x burner on open cabinet

Model

SAP Code

00004656

1. SAP Code:

00004656

2. Net Width [mm]:

800

3. Net Depth [mm]:

900

4. Net Height [mm]:

900

5. Net Weight [kg]:

135.00

6. Gross Width [mm]:

830

7. Gross depth [mm]:

970

8. Gross Height [mm]:

1110

9. Gross Weight [kg]:

139.00

10. Device type:

Gas unit

11. Construction type of device:

With substructure

12. Power gas [kW]:

24.000

13. Ignition:

Piezo + Eternal Flame

14. Type of gas:

Natural gas, propane butane

15. Protection of controls:

IPX5

16. Device color:

Stainless steel

17. Material:

AISI 304

18. Worktop type:

Molded - comfortable cleaning maintenance

19. Worktop material:

AISI 304

20. Worktop Thickness [mm]:

2.00

21. Number of zones:

3

22. Power consumption of the zone 1 [kW]:

10

23. Power consumption of the zone 2 [kW]:

7

24. Power consumption of the zone 3 [kW]:

7

25. Number of power control stages:

6

26. Grid material:

Cast iron

27. Service accessibility:

From the front by removing the front panel and waste fluid containers

28. Safety thermocouple:

Yes

Technical data sheet

Technical parameters



Cooking range solid top gas 3x burner on open cabinet

Model

SAP Code

00004656

29. Adjustable feet:

Yes

33. Solid top thickness [mm]:

15

30. Number of burners/hot plates:

3

34. Solid top dimensions [mm x mm]:

370 x 730

31. Type of gas cooking zones:

Fire protection to install + Classic burners

35. Solid top ignition:

Eternal flame

32. Burner type:

Brass, detachable