

Technical data sheet

Product features



Fry-top griddle plate 40x45 electric smooth without cabinet 400 V

Model	SAP Code	00001070
--------------	-----------------	----------



- Top type: Smooth
- Griddle dimensions [mm x mm]: 395 x 450
- Griddle thickness [mm]: 14.00
- Worktop material: Stainless steel
- Maximum device temperature [°C]: 300

SAP Code	00001070	Power electric [kW]	4.500
Net Width [mm]	400	Loading	400 V / 3N - 50 Hz
Net Depth [mm]	600	Griddle dimensions [mm x mm]	395 x 450
Net Height [mm]	280	Top type	Smooth
Net Weight [kg]	46.00		

Technical data sheet

Technical drawing

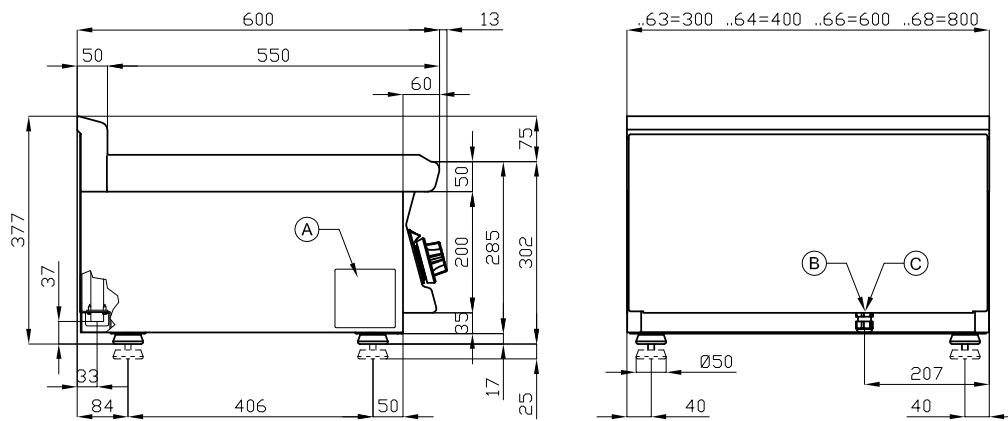


Fry-top griddle plate 40x45 electric smooth without cabinet 400 V

Model

SAP Code

00001070



A	Data plate		B	Electrical connection	
---	------------	--	---	-----------------------	--

Technical data sheet

Product benefits



Fry-top griddle plate 40x45 electric smooth without cabinet 400 V

Model	SAP Code	00001070
-------	----------	----------

1

All-stainless design

- long life
- resistance of AISI 304 stainless steel material
- the material does not cut
 - savings on service interventions
 - easier and faster operation

2

Degree of protection of the control elements IPX5

- maintenance-free system
- resistance to splash water
- long life
 - savings on service interventions
 - easy cleaning and maintenance of equipment

3

Outlet for waste liquids

- ensures that oil drips into the socket
 - easy maintenance
 - easy cleaning

4

High detachable hem

- better hygienic conditions
- preventing grease from splashing onto ancillary equipment
 - easy maintenance
 - easy cleaning

5

Smooth steel plate

- good heat transfer and the surface does not get scratched
- enables preparation on smooth or grooved plates
 - time-saving for food preparation
 - no reheating and long cooking times

6

Outlet for waste liquids

- ensures that oil drips into the socket
 - easy maintenance
 - easy cleaning

7

Cooking unit for use on a table or on a base

- variable use
- the possibility of placement in smaller spaces
 - easy handling
 - cost savings on substructure

Technical data sheet

Technical parameters



Fry-top griddle plate 40x45 electric smooth without cabinet 400 V

Model	SAP Code	00001070
-------	----------	----------

1. SAP Code:

00001070

2. Net Width [mm]:

400

3. Net Depth [mm]:

600

4. Net Height [mm]:

280

5. Net Weight [kg]:

46.00

6. Gross Width [mm]:

430

7. Gross depth [mm]:

690

8. Gross Height [mm]:

610

9. Gross Weight [kg]:

49.00

10. Device type:

Electric unit

11. Construction type of device:

Table top

12. Power electric [kW]:

4.500

13. Loading:

400 V / 3N - 50 Hz

14. Protection of controls:

IPX5

15. Device color:

Stainless steel

16. Material:

AISI 304 top plate and cladding

17. Indicators:

operation and warm-up

18. Worktop material:

Stainless steel

19. Worktop Thickness [mm]:

2.50

20. Maximum device temperature [°C]:

300

21. Minimum device temperature [°C]:

50

22. Service accessibility:

Trough the frontal panel

23. Safety thermostat:

Yes

24. Adjustable feet:

Yes

25. Griddle dimensions [mm x mm]:

395 x 450

26. Griddle thickness [mm]:

14.00

27. Top type:

Smooth