

# Technical data sheet

## Product features



### Cooking range solid top gas with static gas oven 3x GN 1/1 - 3x burner

<b>Model</b>	<b>SAP Code</b>	00005894
--------------	-----------------	----------



- Device type: Gas unit
- Power consumption of the zone 1 [kW]: 12
- Power consumption of the zone 2 [kW]: 7,5
- Power consumption of the zone 3 [kW]: 5,5
- Ignition: Piezo+veÄřnÄř plamen
- Type of internal part of the appliance 1 (eg oven): Gas
- Type of internal part of the appliance 2 (eg oven): Static
- Protection of controls: IPX5
- Material: Stainless steel

<b>SAP Code</b>	00005894	<b>Power consumption of the zone 2 [kW]</b>	7,5
<b>Net Width [mm]</b>	1200	<b>Power consumption of the zone 3 [kW]</b>	5,5
<b>Net Depth [mm]</b>	705	<b>Type of internal part of the appliance 1 (eg oven)</b>	Gas
<b>Net Height [mm]</b>	900	<b>Type of internal part of the appliance 2 (eg oven)</b>	Static
<b>Net Weight [kg]</b>	199.00	<b>Width of internal part [mm]</b>	1070
<b>Power gas [kW]</b>	36.000	<b>Depth of internal part [mm]</b>	550
<b>Type of gas</b>	Natural gas, propane butane	<b>Height of internal part [mm]</b>	340
<b>Number of zones</b>	3	<b>Solid top dimensions [mm x mm]</b>	770 x 570
<b>Power consumption of the zone 1 [kW]</b>	12		

# Technical data sheet

Technical drawing

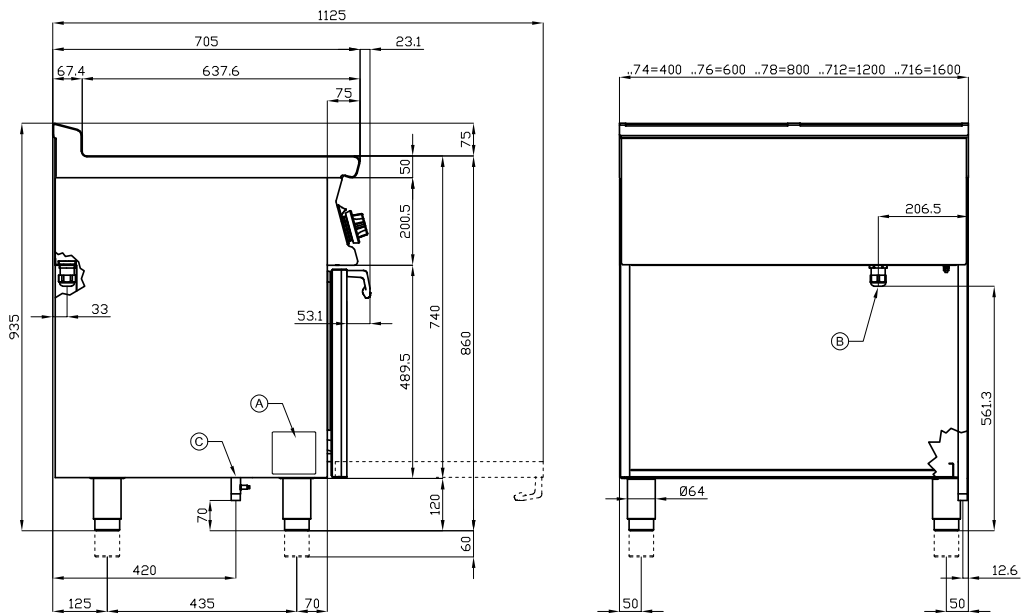


**Cooking range solid top gas with static gas oven 3x GN 1/1 - 3x burner**

**Model**

**SAP Code**

00005894



A	Data plate		C	Gas connection	ISO 7-1 3/4" M
---	------------	--	---	----------------	----------------

# Technical data sheet

## Product benefits



### Cooking range solid top gas with static gas oven 3x GN 1/1 - 3x burner

Model	SAP Code	00005894
-------	----------	----------

1

#### Massive construction of burners

high performance and efficiency  
cast iron burners removable  
long life

- energy saving (perfect combustion)
- time saving for food preparation
- easy maintenance/cleaning

2

#### Hygienic moldings of the top plate

absence of sharp corners and edges (potential places where dirt could stick)  
smooth transitions

- easy quick cleaning

3

#### Degree of protection of the control elements IPX5

maintenance-free system  
resistance to splash water  
long life

- savings on service interventions
- easy cleaning and maintenance of equipment

4

#### All-stainless design

the material does not cut  
wear resistance of the material  
long life

- savings on service interventions
- easy cleaning and maintenance of equipment

5

#### Safety element "thermocouple"

safe operation for personnel  
there is no overheating and damage to the thallus  
long life

- savings on service interventions
- easier and faster operation

6

#### Piezoelectric ignition

instant flame ignition  
there is no unnecessary gas leakage  
long life

- savings on service interventions
- easier and faster operation

7

#### Massive thal

15mm material ensures even distribution of heat and heating of the product (heat several pots at the same time at the same temperature)  
material resistance  
long life

- time saving
- ease of operation
- savings on service interventions

# Technical data sheet

Technical parameters



## Cooking range solid top gas with static gas oven 3x GN 1/1 - 3x burner

Model

SAP Code

00005894

### 1. SAP Code:

00005894

### 2. Net Width [mm]:

1200

### 3. Net Depth [mm]:

705

### 4. Net Height [mm]:

900

### 5. Net Weight [kg]:

199.00

### 6. Gross Width [mm]:

1230

### 7. Gross depth [mm]:

770

### 8. Gross Height [mm]:

1110

### 9. Gross Weight [kg]:

209.00

### 10. Device type:

Gas unit

### 11. Construction type of device:

With substructure

### 12. Power gas [kW]:

36.000

### 13. Ignition:

Piezo+veÄŤnÄŤ plamen

### 14. Type of gas:

Natural gas, propane butane

### 15. Protection of controls:

IPX5

### 16. Material:

Stainless steel

### 17. Worktop type:

Molded - comfortable cleaning maintenance

### 18. Worktop material:

AISI 304

### 19. Worktop Thickness [mm]:

2.00

### 20. Number of zones:

3

### 21. Power consumption of the zone 1 [kW]:

12

### 22. Power consumption of the zone 2 [kW]:

7,5

### 23. Power consumption of the zone 3 [kW]:

5,5

### 24. Number of power control stages:

6

### 25. Service accessibility:

From the front by removing the front panel and waste fluid containers

### 26. Safety element:

thermocouple safety feature  
safety thermostat 360 Â°C

# Technical data sheet

Technical parameters



## Cooking range solid top gas with static gas oven 3x GN 1/1 - 3x burner

Model

SAP Code

00005894

**27. Safety thermocouple:**

Yes

**39. Width of internal part [mm]:**

1070

**28. Safety thermostat:**

Yes

**40. Depth of internal part [mm]:**

550

**29. Safety thermostat up to x Å° C:**

360

**41. Height of internal part [mm]:**

340

**30. Adjustable feet:**

Yes

**42. Maximum temperature of the inner chamber [Å°C]:**

300

**31. Number of burners/hot plates:**

3

**43. Minimum temperature of the inner chamber [Å°C]:**

150

**32. Type of gas cooking zones:**

Fire protection to install + Classic burners

**44. Inner ignition:**

Piezoelectric

**33. Burner type:**

Cast iron, detachable, with internal and external combustion

**45. Number of internal parts:**

4

**34. Oven Type:**

gas static

**46. Solid top thickness [mm]:**

15

**35. Oven size:**

GN 3x 1/1

**47. Solid top dimensions [mm x mm]:**

770 x 570

**36. Oven material:**

Stainless steel

**48. Solid top material:**

chrome-molybdenum

**37. Type of internal part of the appliance 1 (eg oven):**

Gas

**49. Solid top ignition:**

Piezo + Eternal Flame

**38. Type of internal part of the appliance 2 (eg oven):**

Static