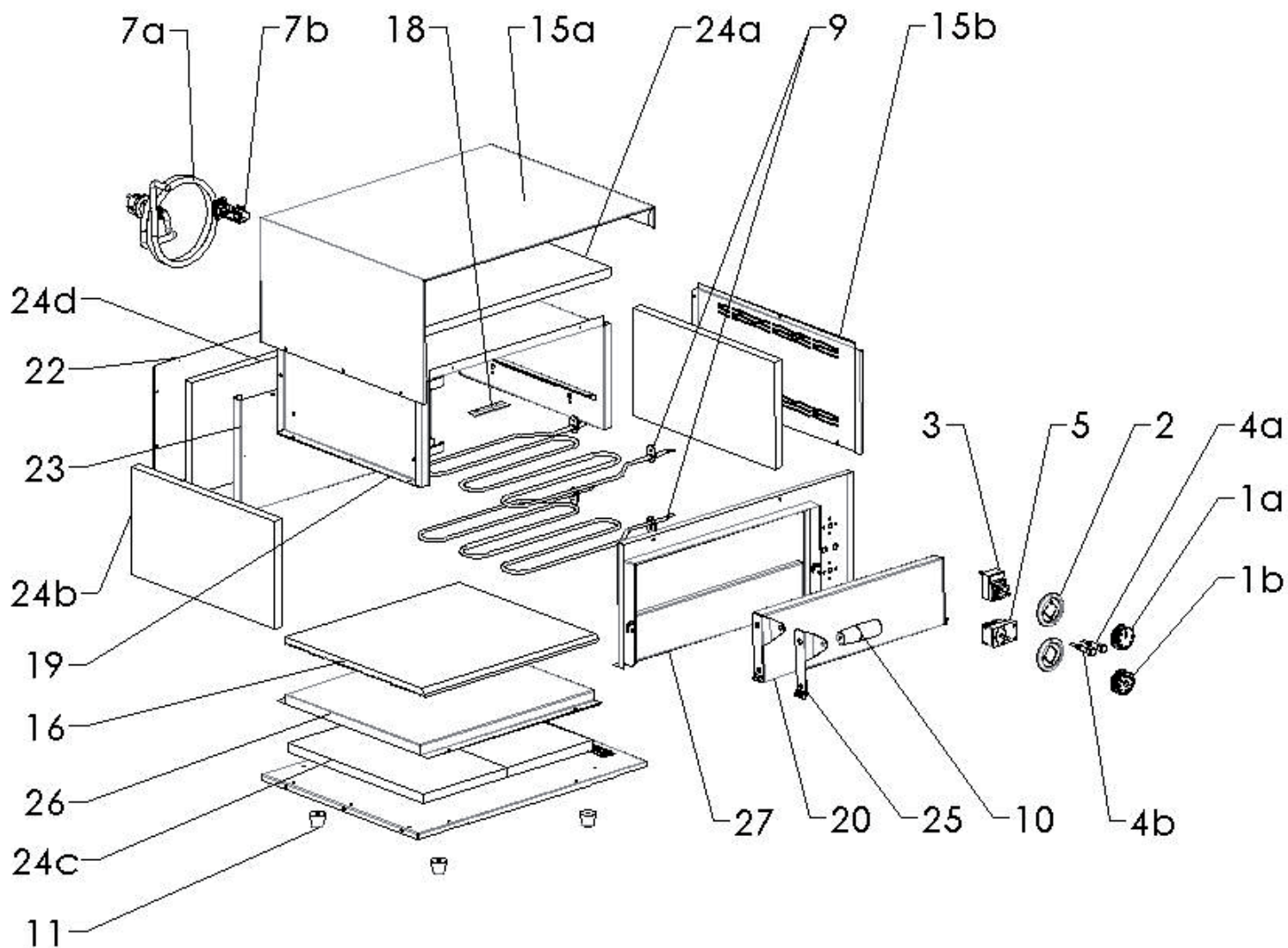


FP 36 R / FP 66 R

do 05-2009

FP 36 R platí do výr. č. 09060169

FP 66 R platí do výr. č. 09060465



**FP 36 R / FP 66 R****do 05-2009****FP 36 R platí do výr. č. 09060169****FP 66 R platí do výr. č. 09060465**

| FP 36 R |           |
|---------|-----------|
| Pozice  | Kód       |
| 1a      | 402593000 |
| 1b      | 402590770 |
| 2       | 402595001 |
| 3       | 402503000 |
| 4a      | 401515100 |
| 4b      | 401515200 |
| 5       | 401550010 |
| 6       | -----     |
| 7a      | 402010500 |
| 7b      | 402085500 |
| 8       | -----     |
| 9       | 401031000 |
| 10      | 407803000 |
| 11      | 407810000 |
| 12      | -----     |
| 13      | -----     |
| 14      | -----     |
| 15a     | 454500380 |
| 15b     | 454500400 |
| 16      | 407600100 |
| 17      | -----     |
| 18      | 450503500 |
| 19      | 504500240 |
| 20      | 504500310 |
| 21      | 504500260 |
| 22      | 454500440 |
| 23      | 454500480 |
| 24a     | 407502115 |
| 24b     | 407502120 |
| 24c     | 407502116 |
| 24d     | 407502121 |
| 25      | 504500305 |
| 26      | 454500580 |
| 27      | 504500220 |

| FP 66 R |           |
|---------|-----------|
| Pozice  | Kód       |
| 1a      | 402593000 |
| 1b      | 402590770 |
| 2       | 402595001 |
| 3       | 402503000 |
| 4a      | 401515100 |
| 4b      | 401515200 |
| 5       | 401550010 |
| 6       | -----     |
| 7a      | 402010500 |
| 7b      | 402085500 |
| 8       | -----     |
| 9       | 401031000 |
| 10      | 407803000 |
| 11      | 407810000 |
| 12      | -----     |
| 13      | -----     |
| 14      | -----     |
| 15a     | 454500760 |
| 15b     | 454500780 |
| 16      | 407600100 |
| 17      | -----     |
| 18      | 450503500 |
| 19      | 504500400 |
| 20      | 504500310 |
| 21      | 504500260 |
| 22      | 454500820 |
| 23      | 454500860 |
| 24a     | 407502115 |
| 24b     | 407502120 |
| 24c     | 407502116 |
| 24d     | 407502121 |
| 25      | 504500305 |
| 26      | 454500580 |
| 27      | 504500380 |

# Exploded view

TABLE A: LABELS

| MODEL    | CODE      | NOTE   |
|----------|-----------|--------|
| VT       | 402594273 |        |
| TO - 940 | 402594234 | Switch |
| TO - 940 | 402594235 | Timer  |
| TO - 960 | 402594234 | Switch |
| TO - 960 | 402594235 | Timer  |
| TO - 920 | 402594233 | Switch |
| TO - 920 | 402594235 | Timer  |
| TO - 930 | 402594233 | Switch |
| TO - 930 | 402594235 | Timer  |
| VEC      | 402594241 |        |
| PM - LTF | 402594244 |        |
| KD       | 402594243 |        |
| FP - 36  | 402594237 |        |
| FP - 66  |           |        |
| FP - 37  |           |        |
| FP - 67  |           |        |
| FT       | 402594247 |        |
| PD       |           |        |
| PM       |           |        |
| PS       |           |        |
| FP - 38  |           |        |
| FP - 68  |           |        |
| FE       | 402594272 |        |
| BM       | 402594236 |        |
| BMV      |           |        |
| HD       |           |        |
| WE       |           |        |
| WEV      |           |        |
| OTS      |           |        |
| UH       |           |        |
| BM-D     | 402594271 |        |
| SE       |           |        |
| CW       |           |        |
| GV       |           |        |

