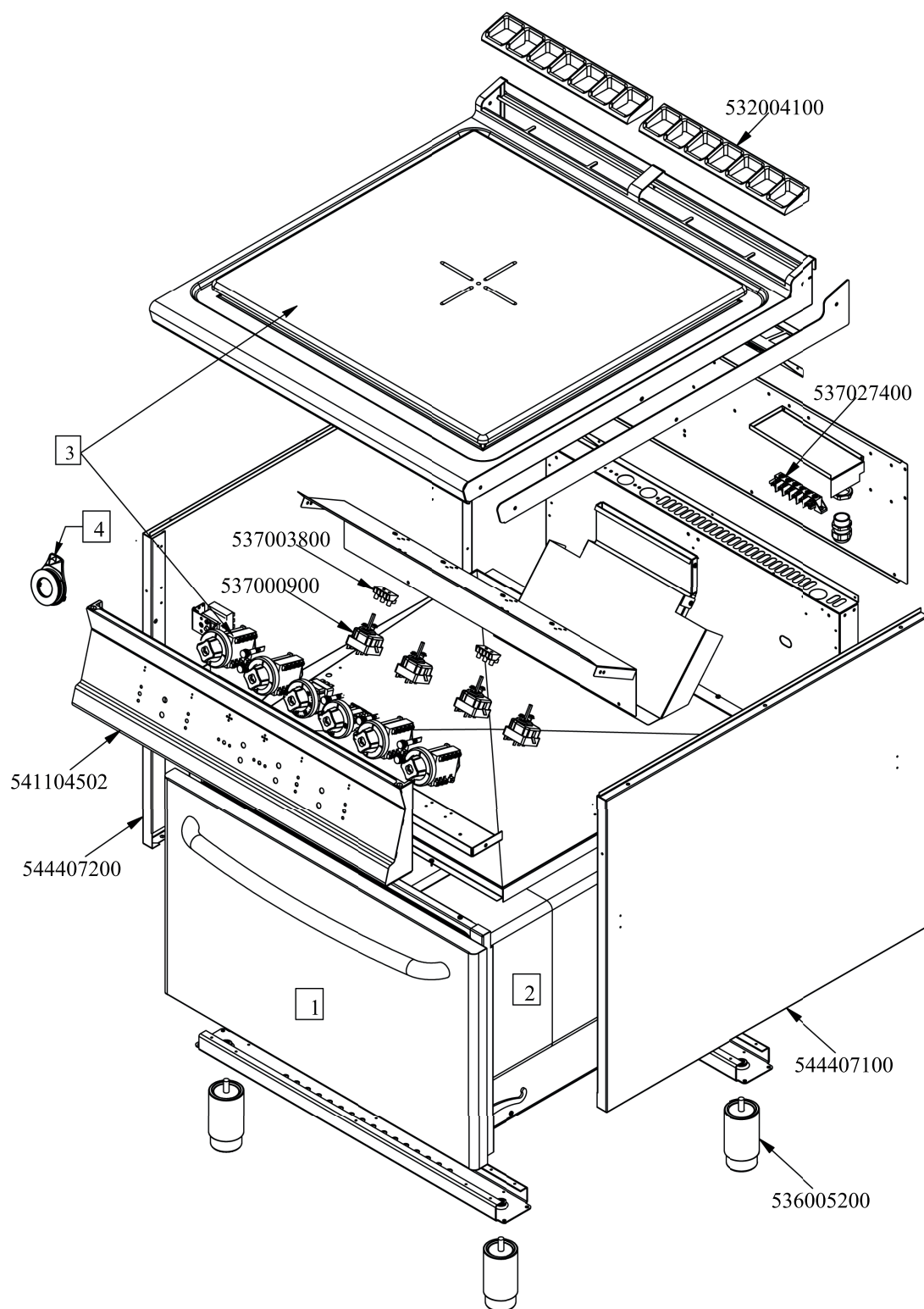


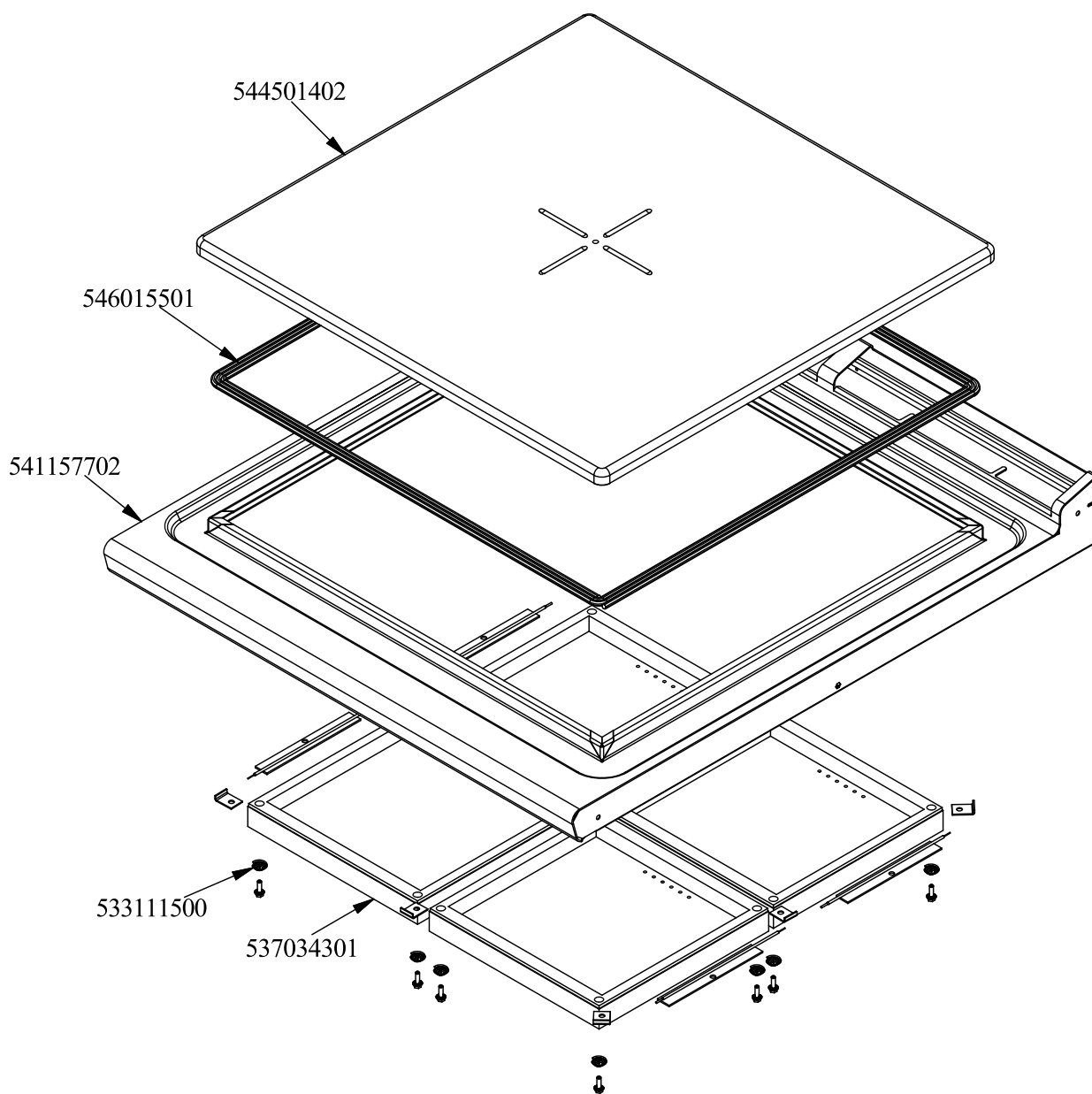
RM 900
 Platný od 1.5. 2019
 TPF-98ET



560074301M00P00 .



Objednačí kód	Popis v ENG
544407100	RIGHT SIDE PANEL RANGE 90 LINE
541104502	FRONTAL PANEL S607090 CF4-98E
532004100	FLUE GRID L=370 90LINE (RAF)
537027400	TERMINAL BLOCK THREEPHASE 40A
537003800	TERMINAL BLOCK 3POLES 16A
537000900	THERMOSTAT 063-320°C THREEPHASE
544407200	RIGHT SIDE PANEL RANGE 70 LINE
536005200	INOX LEG 2" 120-180 M10
-	-
-	-
-	-
-	-

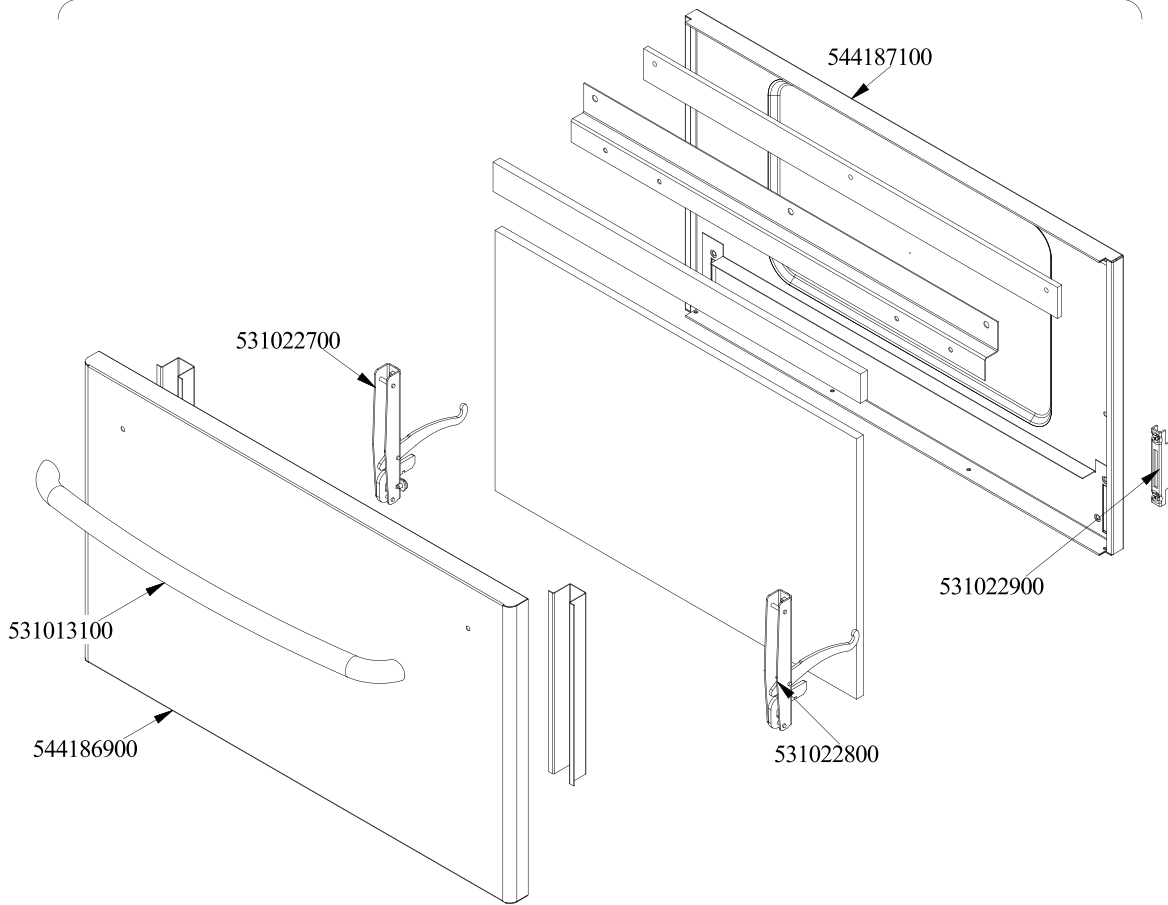


560074701M00P00



Objednací kód	Popis v ENG
546015501	SQUARE PLAIT L.C.06X06 L7500
541157702	UPPER TOP S90 TP-98ET
533111500	COIL SPRING INTØ7X18XØFILO1 H=10
544501402	PROCESSING CODE
537034301	HEATING EL. 250X295 3400W 230V3

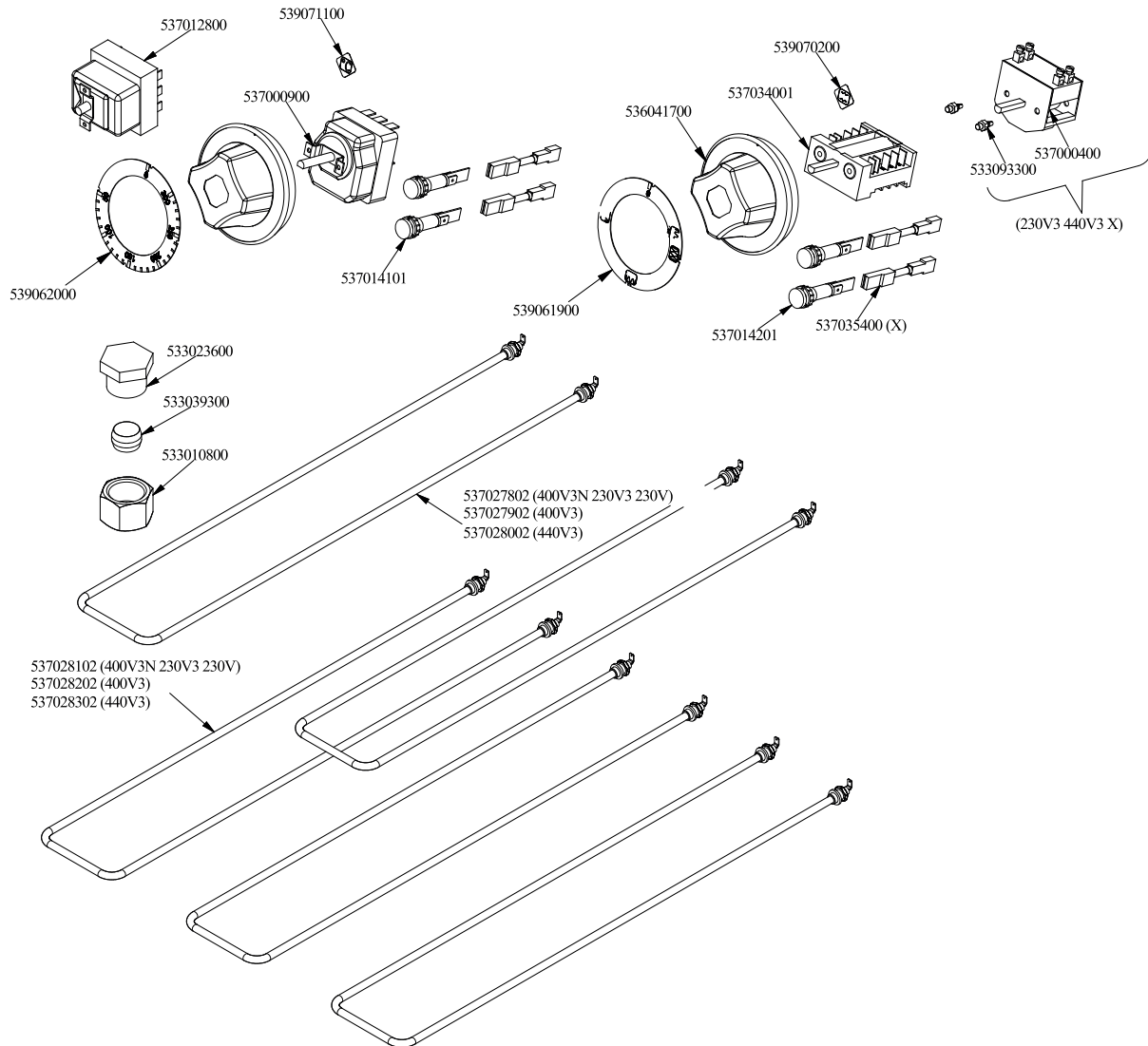
GN2/1



560099800M01P00

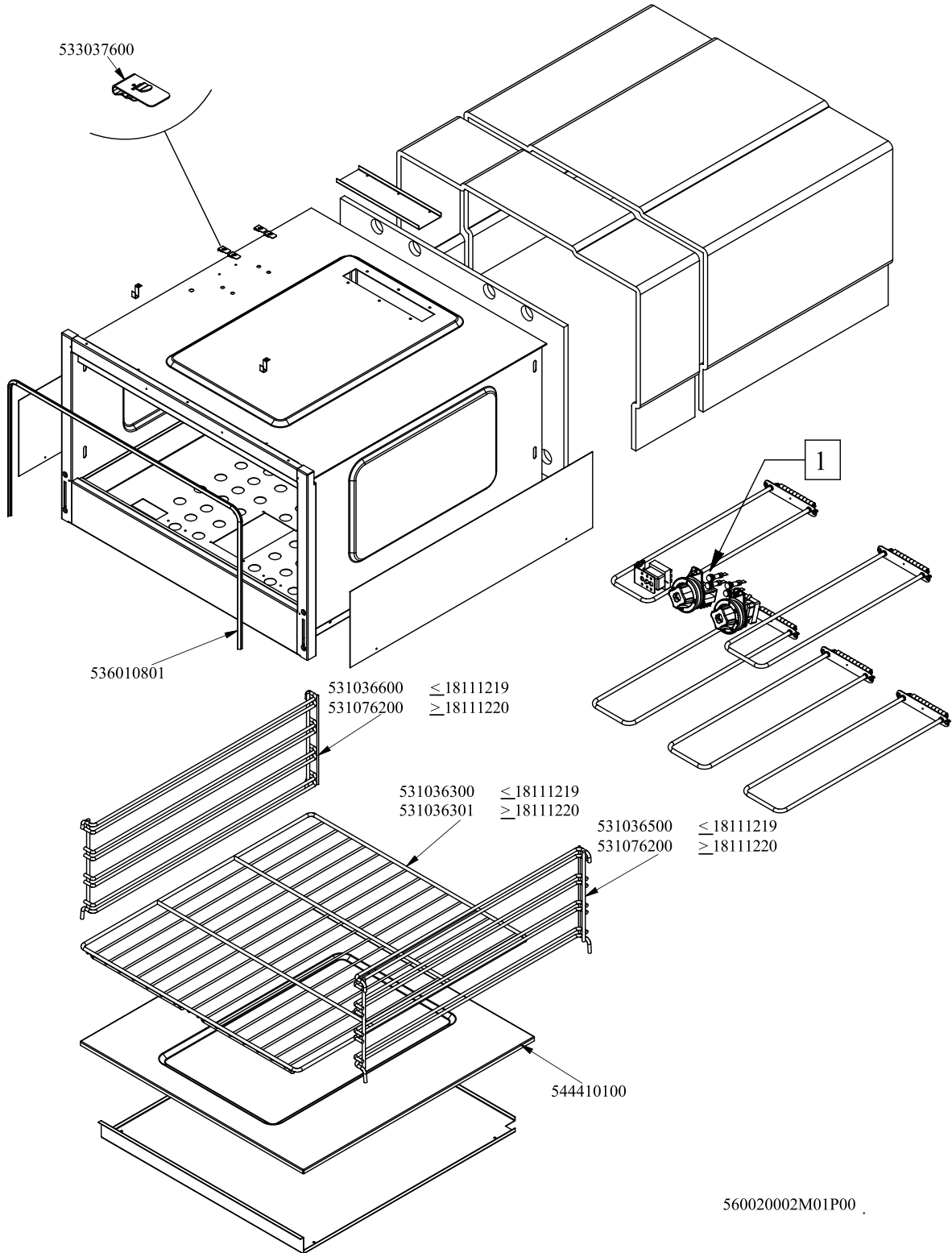


Objednací kód	Popis v ENG
_GN2/1	PROCESSING CODE
544187100	OVEN INNER DOOR GN 2/1 70/90LINE
531022800	531022800N DOOR HINGE S.70
531013100	OVEN DOOR HANDLE OF 70/90-LINE
544186900	OVEN DOOR GN 2/1 70/90LINES
531022700	LEFT OVEN DOOR HINGE 70LINE
531022900	HINGE ROLLER HOLDER FOR 700-OVEN
GN3/1	PROCESSING CODE
541102300	GAS OVEN INNER DOOR GN 3/1 S.70
531022800	531022800N DOOR HINGE S.70
531013100	OVEN DOOR HANDLE OF 70/90-LINE
544187000	OVEN DOOR GN 3/1 S.70
531022700	LEFT OVEN DOOR HINGE 70LINE
531022900	HINGE ROLLER HOLDER FOR 700-OVEN



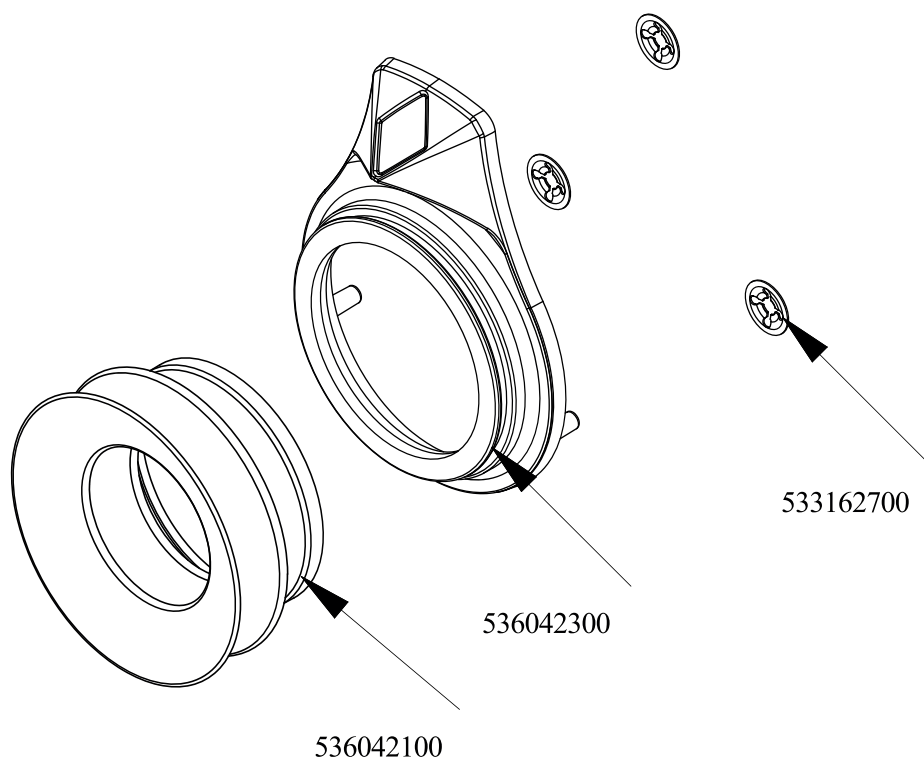


Objednací kód	Popis v ENG
537027802	HEATING ELEMENT S90 S.0800W 1-230V
537012800	SAFETY THERMOSTAT 420°C THREEPHASE
537000900	THERMOSTAT 063-320°C THREEPHASE
539071100	
537014101	WHITE WARNING LIGHT 250V
533023600	TAP PLUG §10 M16*1, 5CH19
533039300	BICONE §10
533010800	TUBE NUT D.10 M16*1,5
537027902	
537028002	
537028102	HEATING ELEMENT 90S I.1700W 1-230V
537028202	
537028302	
536041700	SILVER CHROM. KNOB Ø77 4P.G.Ø06X4,6
539062000	ADESIVE DISK THERMOSTAT OVEN S70
539061900	ADESIVE DISK FOR SWITCH OVEN S70
537035400	HEATING ELEMENT 00003W 330KOHM W/F
533093300	LOCKING PIN SWITCH S.43 THERMOST
537000400	COMMUTATOR 1POS.SINGLEPHASE S49 16A
537014201	GREEN WARNING LIGHT 250V
537034001	COMMUTATOR 4 POS.3PHASE S.42 16A
539070200	





Objednačí kód	Popis v ENG
531036600	LHD RACK HOLDER FOR OVEN S.90
531076200	
531036300	OVEN RACK GN 2/1 FOR 90 LINE
531036301	OVEN RACK GN 2/1 FOR 90 LINE
544410100	90 ELECTRICAL OVEN BOTTOM GN2/1
533037600	LOCK SPRING FOR BULB
531036500	RHD RACK HOLDER FOR OVEN S.90
536010801	OVEN GASKET GN 2/1 (1308)
-	-



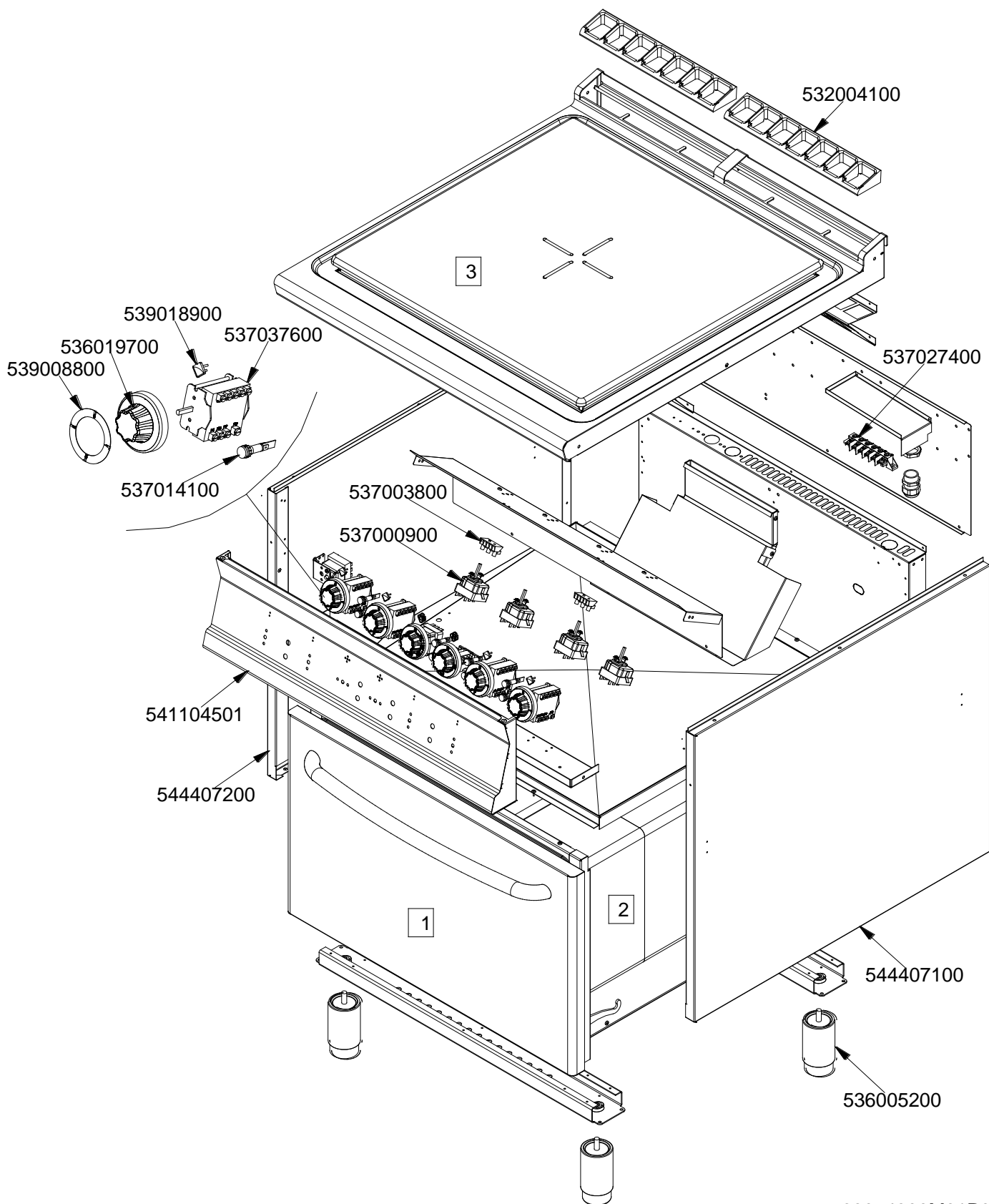
560125700M00P00



Objednačí kód	Popis v ENG
536042300	SILVER CHROM. RING FOR KNOB Ø77 4 P
536042100	SEAL CASING FOR KNOB Ø77 4 P
533162700	PROCESSING CODE

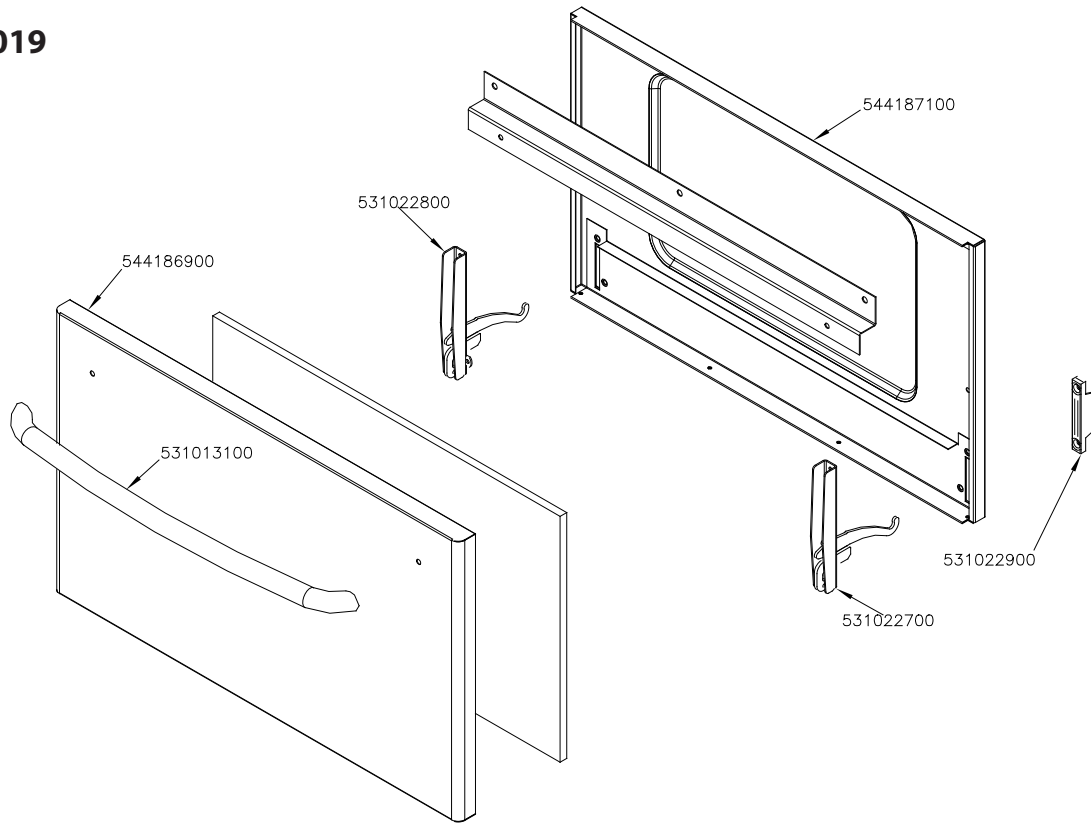


TPF - 98 ET
 Platný od
 1.5.2016
 do 30.4.2019

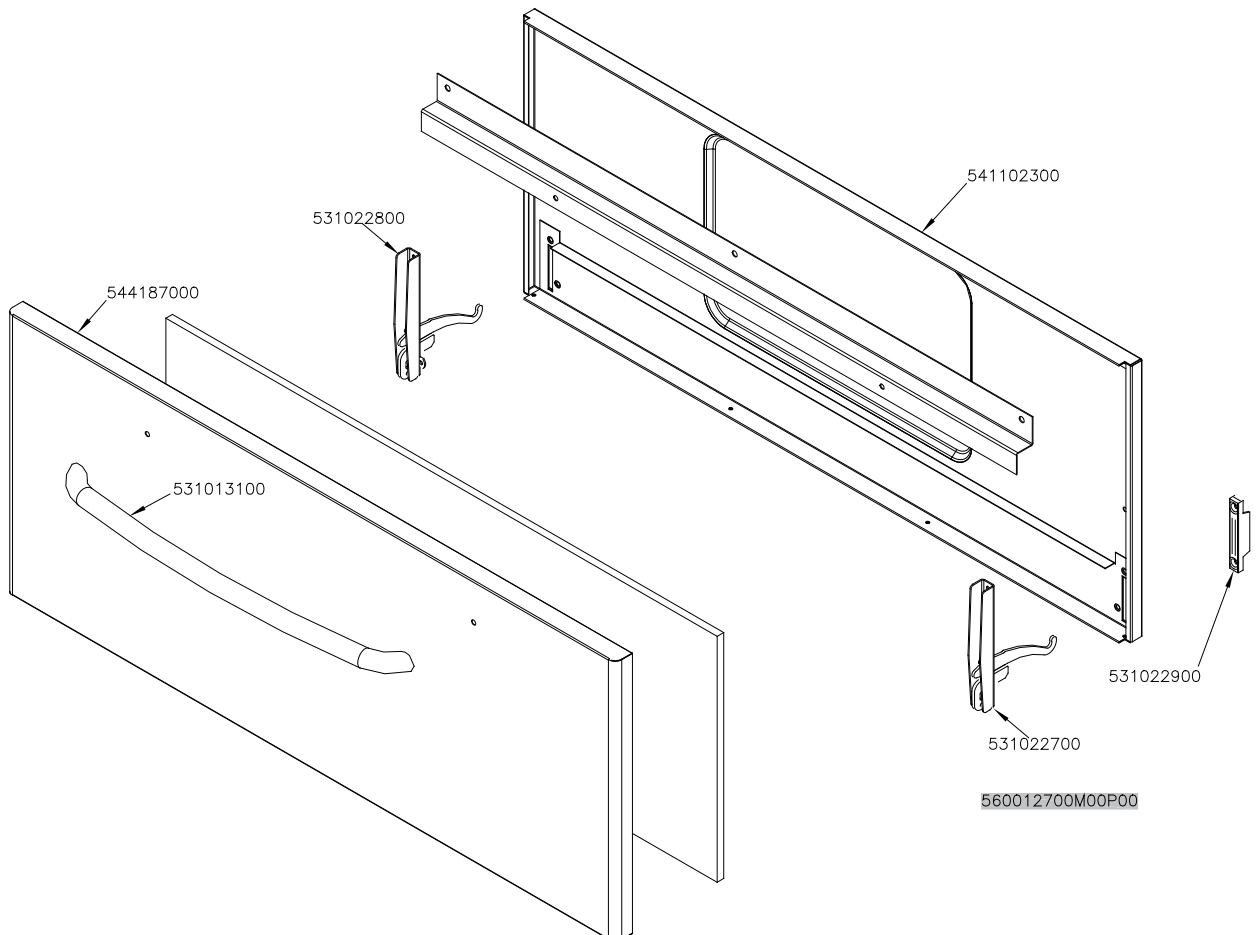


TPF - 98 ET
 (1)
 Platný od
 1.5.2016
 do 30.4.2019

GN 2/1



GN 3/1





TPF - 98 ET

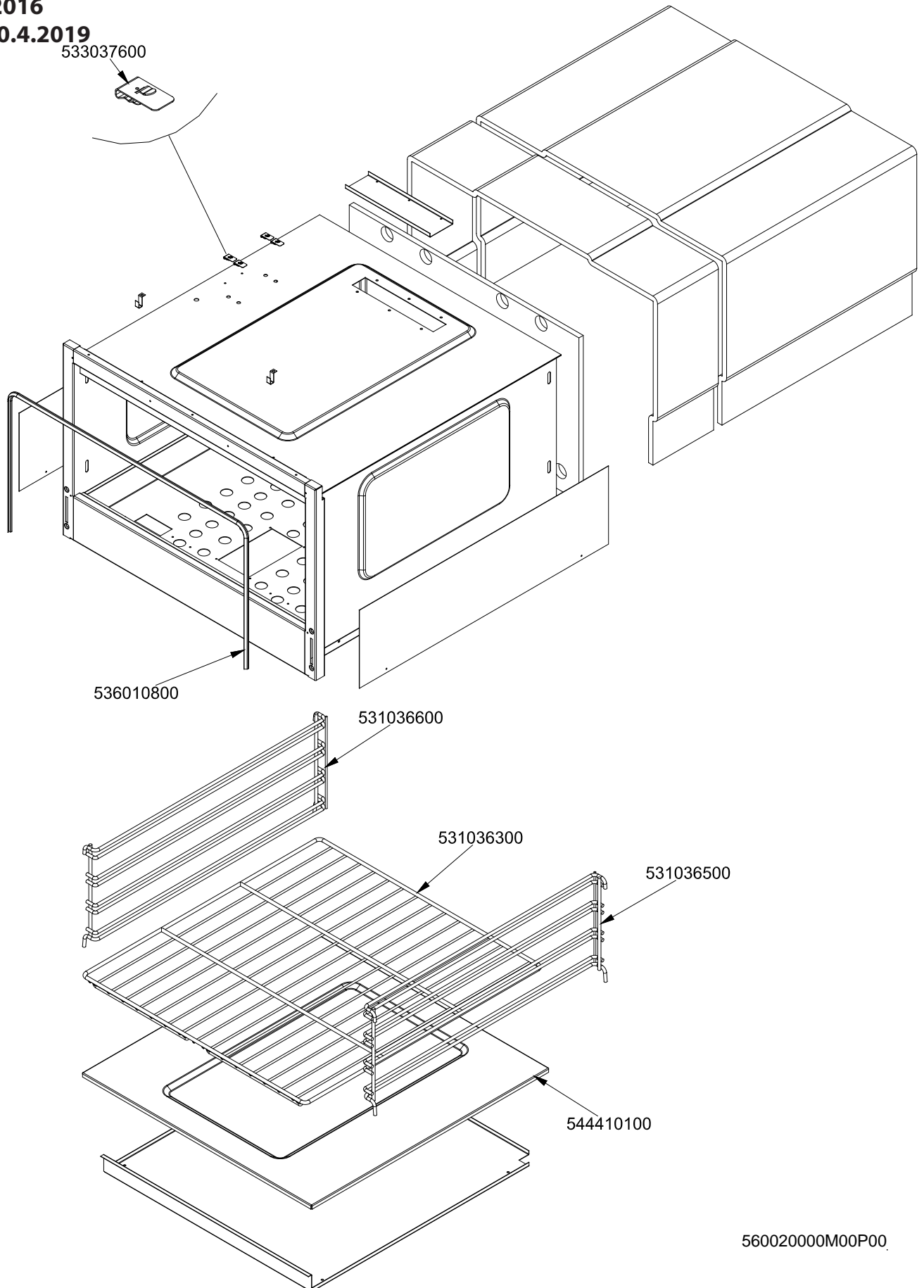
(2)

Platný od

1.5.2016

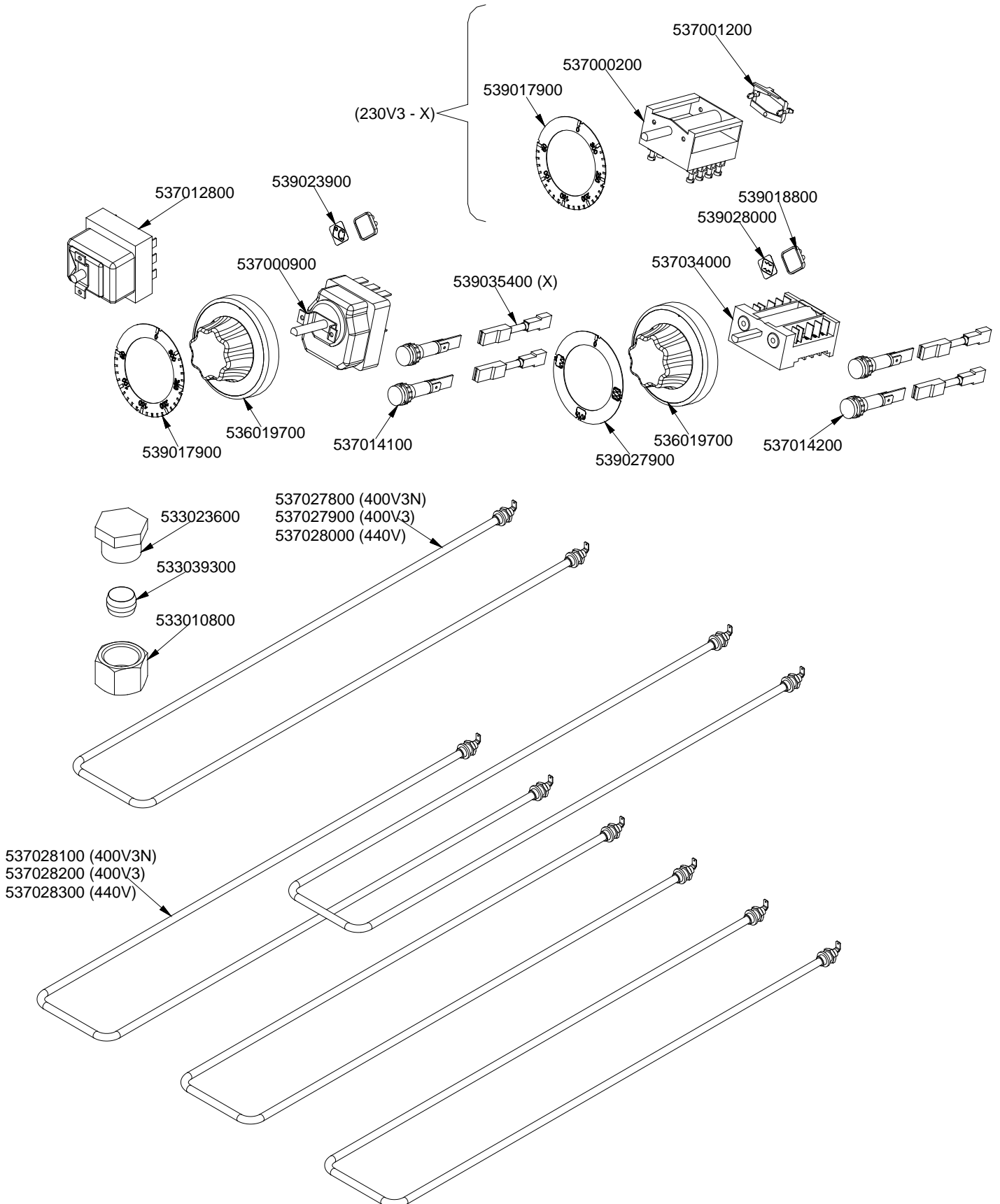
do 30.4.2019

533037600



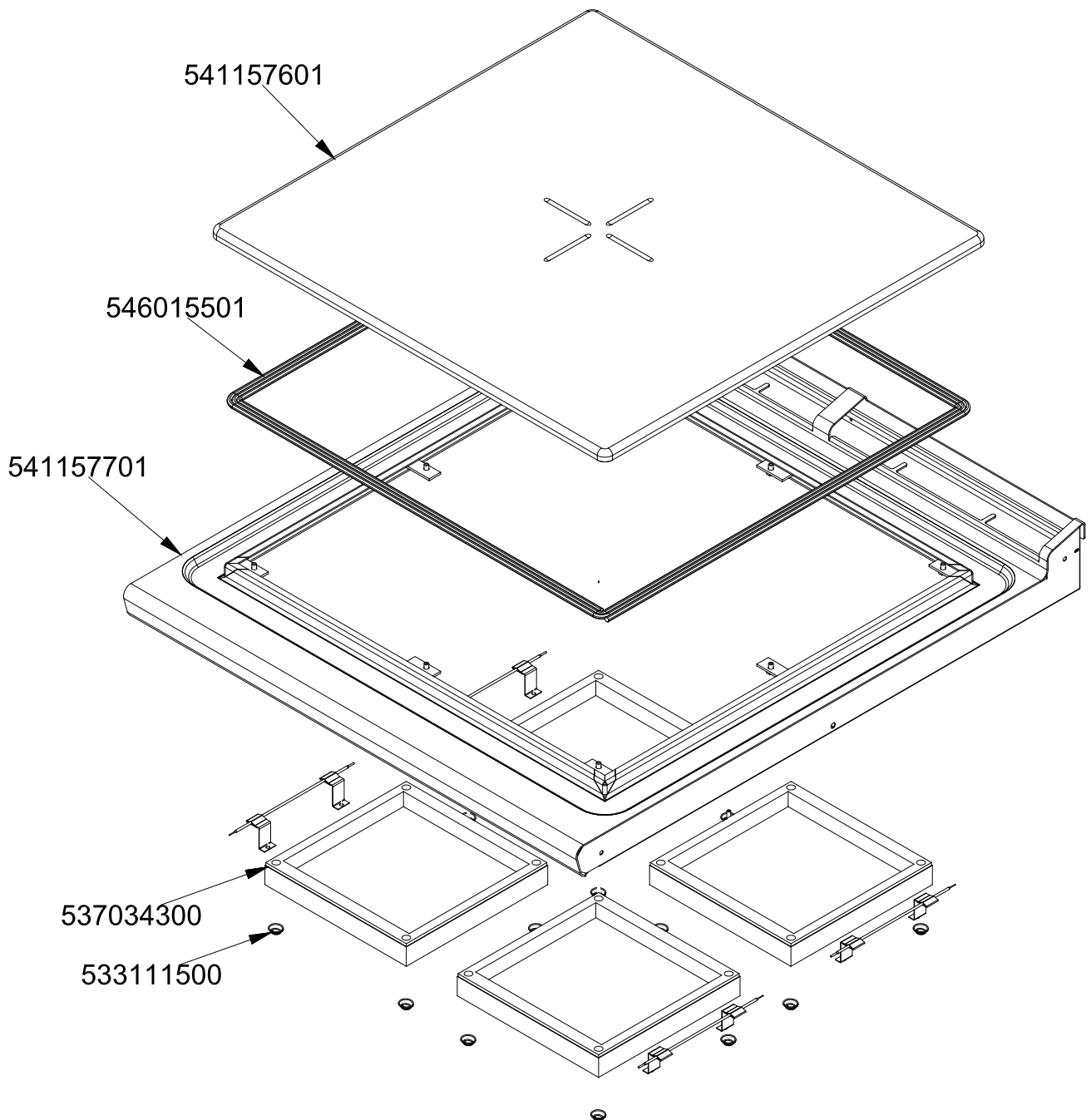


TPF - 98 ET
 Platný od
 1.5.2016
 do 30.4.2019





TPF - 98 ET
(3)
Platný od
1.5.2016
do 30.4.2019



560074700M00P00