

Technical data sheet

Product features



Cooking range solid top 80 - 3 zones

| | | |
|--------------|-----------------|----------|
| Model | SAP Code | 00013624 |
|--------------|-----------------|----------|



- Device type: Gas unit
- Power consumption of the zone 1 [kW]: 10
- Power consumption of the zone 2 [kW]: 7
- Power consumption of the zone 3 [kW]: 7
- Ignition: Piezo+veÄřnÄř plamen
- Material: AISI 304

| | | | |
|------------------------|----------|---|-----------------------------|
| SAP Code | 00013624 | Type of gas | Propane butane, natural gas |
| Net Width [mm] | 800 | Number of zones | 3 |
| Net Depth [mm] | 900 | Power consumption of the zone 1 [kW] | 10 |
| Net Height [mm] | 280 | Power consumption of the zone 2 [kW] | 7 |
| Net Weight [kg] | 120.00 | Power consumption of the zone 3 [kW] | 7 |
| Power gas [kW] | 24.000 | Solid top dimensions [mm x mm] | 370 x 730 |

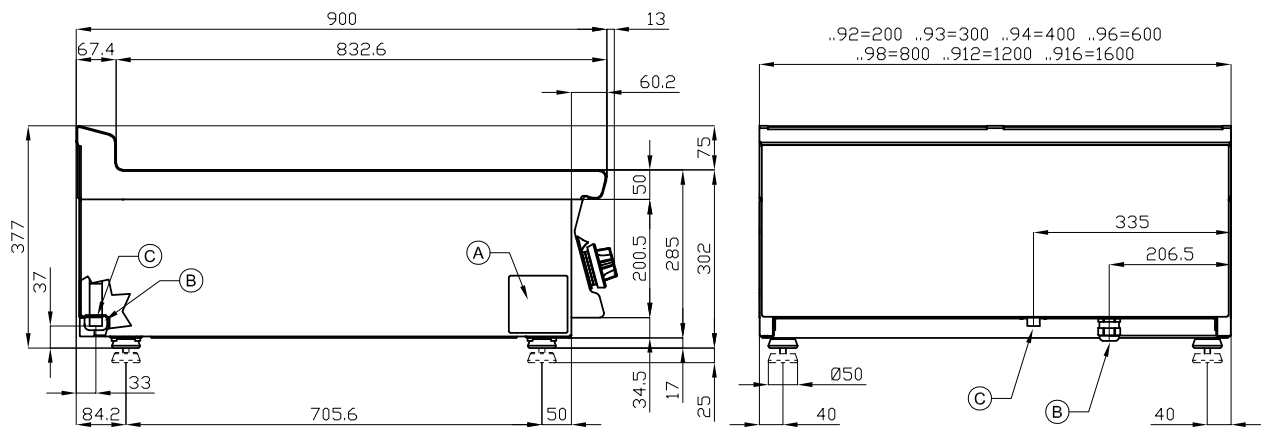
Technical data sheet

Technical drawing



Cooking range solid top 80 - 3 zones

| | | |
|--------------|-----------------|----------|
| Model | SAP Code | 00013624 |
|--------------|-----------------|----------|



| | | | | | |
|---|------------|--|---|----------------|----------------|
| A | Data plate | | C | Gas connection | ISO 7-1 1/2" M |
|---|------------|--|---|----------------|----------------|

Technical data sheet

Technical parameters



Cooking range solid top 80 - 3 zones

Model

SAP Code

00013624

1. SAP Code:

00013624

2. Net Width [mm]:

800

3. Net Depth [mm]:

900

4. Net Height [mm]:

280

5. Net Weight [kg]:

120.00

6. Gross Width [mm]:

830

7. Gross depth [mm]:

970

8. Gross Height [mm]:

540

9. Gross Weight [kg]:

130.00

10. Device type:

Gas unit

11. Construction type of device:

Table top

12. Power gas [kW]:

24.000

13. Ignition:

Piezo+veÄŤnÄŤ plamen

14. Type of gas:

Propane butane, natural gas

15. Device color:

Stainless steel

16. Material:

AISI 304

17. Worktop type:

Molded - comfortable cleaning maintenance

18. Worktop material:

AISI 304

19. Number of zones:

3

20. Power consumption of the zone 1 [kW]:

10

21. Power consumption of the zone 2 [kW]:

7

22. Power consumption of the zone 3 [kW]:

7

23. Service accessibility:

From the front by removing the front panel and waste fluid containers

24. Safety thermocouple:

Yes

25. Adjustable feet:

Yes

26. Number of burners/hot plates:

6

27. Type of gas cooking zones:

Fire protection to install + Classic burners

28. Burner type:

Brass, detachable

Technical data sheet

Technical parameters



Cooking range solid top 80 - 3 zones

| | | |
|--------------|-----------------|----------|
| Model | SAP Code | 00013624 |
|--------------|-----------------|----------|

29. Solid top thickness [mm]:

15

31. Solid top ignition:

Piezo + Eternal Flame

30. Solid top dimensions [mm x mm]:

370 x 730