

Technical data sheet

Product features



Electric fryer 25+25 l electronic 7" TouchSreen

Model	SAP Code	00014412
--------------	-----------------	----------



- Basin volume [l]: 25
- Drain type: Trough the cabinet
- Drain: Yes
- Maximum device temperature [°C]: 190
- Minimum device temperature [°C]: 50
- Material: AISI 304
- Number of baskets: 2
- Basket dimensions [mm x mm x mm]: 135x450x150

SAP Code	00014412	Loading	400 V / 3N - 50 Hz
Net Width [mm]	800	Basin volume [l]	25
Net Depth [mm]	900	Number of basins	2
Net Height [mm]	900	Number of baskets	2
Net Weight [kg]	110.00	Basket dimensions [mm x mm x mm]	135x450x150
Power electric [kW]	44.100	Production of fries [kg/h]	70

Technical data sheet

Technical drawing

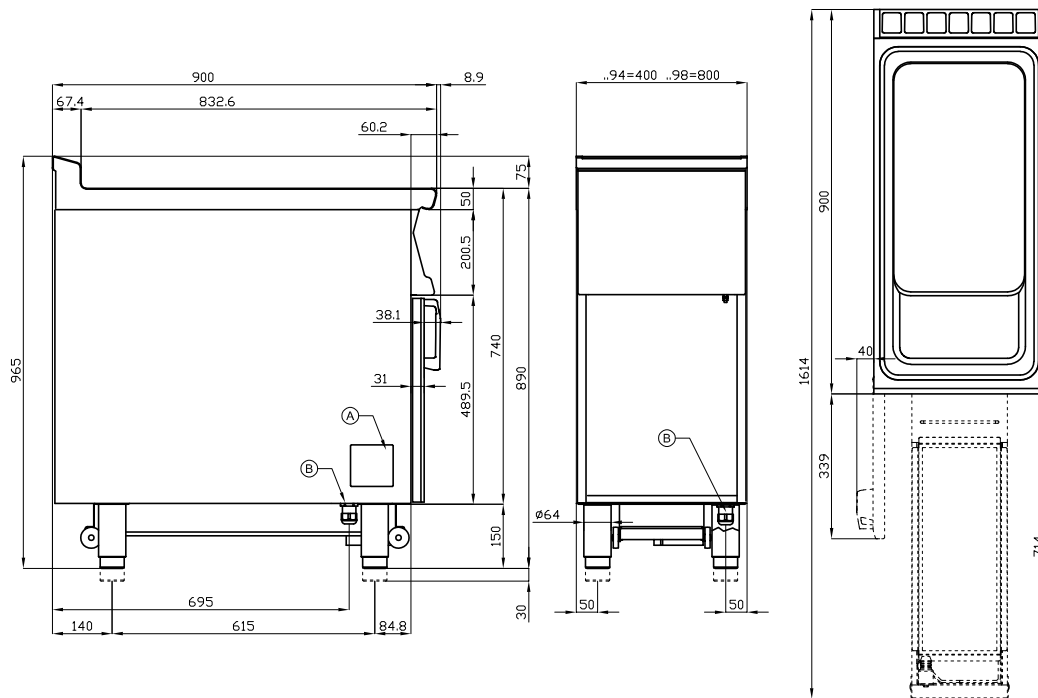


Electric fryer 25+25 l electronic 7" TouchSreen

Model

SAP Code

00014412



A	Data plate	B	Electrical connection
---	------------	---	-----------------------

Technical data sheet

Technical parameters



Electric fryer 25+25 l electronic 7" TouchScreen

Model

SAP Code

00014412

1. SAP Code:

00014412

2. Article group:

Fryers

3. Net Width [mm]:

800

4. Net Depth [mm]:

900

5. Net Height [mm]:

900

6. Net Weight [kg]:

110.00

7. Gross Width [mm]:

830

8. Gross depth [mm]:

970

9. Gross Height [mm]:

1110

10. Gross Weight [kg]:

126.00

11. Device type:

Electric unit

12. Construction type of device:

With substructure

13. Power electric [kW]:

44.100

14. Loading:

400 V / 3N - 50 Hz

15. Device color:

Stainless steel

16. Material:

AISI 304

17. Indicators:

operation and warm-up

18. Worktop type:

Molded - comfortable cleaning maintenance

19. Basin volume [l]:

25

20. Basin dimensions [mm x mm x mm]:

310x510x330

21. Maximum device temperature [°C]:

190

22. Minimum device temperature [°C]:

50

23. Safety thermostat:

Yes

24. Adjustable feet:

Yes

25. Heating element material:

AISI 304

26. Number of baskets:

2

27. Number of basins:

2

28. Basket dimensions [mm x mm x mm]:

135x450x150

Technical data sheet

Technical parameters



Electric fryer 25+25 l electronic 7" TouchSreen

Model	SAP Code	00014412
--------------	-----------------	----------

29. Basin material:

AISI 304 - High quality stainless steel

31. Drain type:

Trough the cabinet

30. Production of fries [kg/h]:

70

32. Drain:

Yes