

# Technical data sheet

## Product features



### Cooking range solid top gas with static gas oven GN 2/1 - 3x burner

<b>Model</b>	<b>SAP Code</b>	00005943
--------------	-----------------	----------



- Device type: Gas unit
- Power consumption of the zone 1 [kW]: 12
- Power consumption of the zone 2 [kW]: 10
- Power consumption of the zone 3 [kW]: 7
- Ignition: Piezo+večný plamen
- Type of internal part of the appliance 1 (eg oven): Gas
- Type of internal part of the appliance 2 (eg oven): Static
- Protection of controls: IPX5
- Material: AISI 304

<b>SAP Code</b>	00005943	<b>Power consumption of the zone 2 [kW]</b>	10
<b>Net Width [mm]</b>	1200	<b>Power consumption of the zone 3 [kW]</b>	7
<b>Net Depth [mm]</b>	900	<b>Type of internal part of the appliance 1 (eg oven)</b>	Gas
<b>Net Height [mm]</b>	900	<b>Type of internal part of the appliance 2 (eg oven)</b>	Static
<b>Net Weight [kg]</b>	248.00	<b>Width of internal part [mm]</b>	680
<b>Power gas [kW]</b>	37.500	<b>Depth of internal part [mm]</b>	730
<b>Type of gas</b>	Natural gas, propane butane	<b>Height of internal part [mm]</b>	340
<b>Number of zones</b>	3	<b>Solid top dimensions [mm x mm]</b>	770 x 730
<b>Power consumption of the zone 1 [kW]</b>	12		

# Technical data sheet

Technical drawing

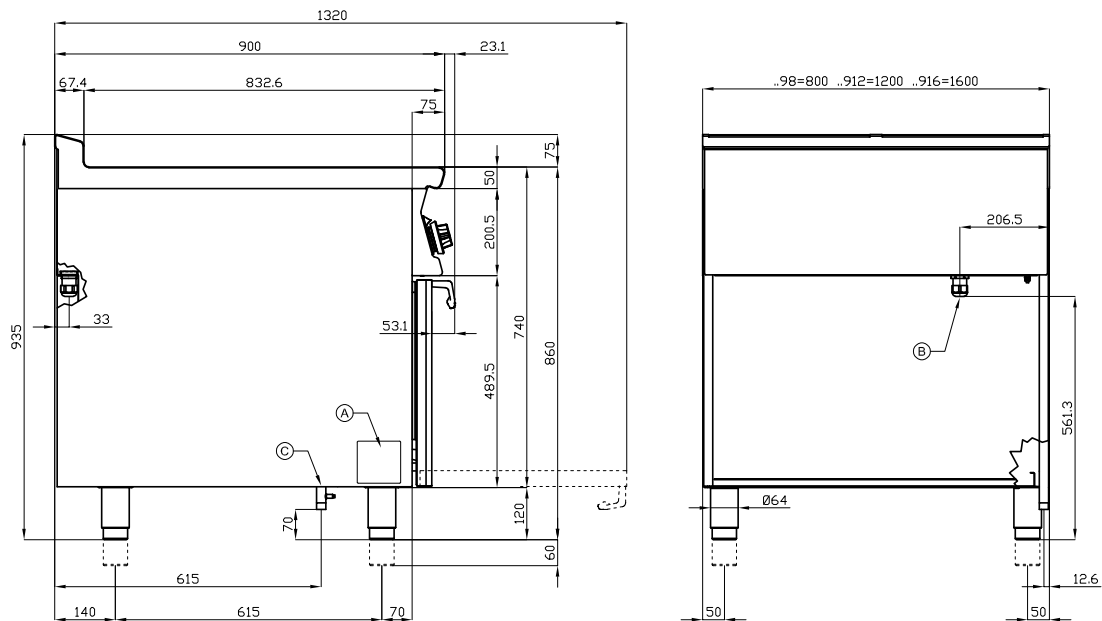


Cooking range solid top gas with static gas oven GN 2/1 - 3x burner

Model

SAP Code

00005943



A	Data plate	C	Gas connection	ISO 7-1 3/4" M
---	------------	---	----------------	----------------

# Technical data sheet

## Product benefits



### Cooking range solid top gas with static gas oven GN 2/1 - 3x burner

Model

SAP Code

00005943

1

#### Massive construction of burners

high performance and efficiency  
brass burners removable  
eternal flame  
long life  
demountable

- energy saving (perfect combustion)
- time saving for food preparation
- easy maintenance/cleaning

2

#### Hygienic moldings of the top plate

absence of sharp corners and edges (potential places where dirt could stick)  
smooth transitions

- easy quick cleaning

3

#### Degree of protection of the control elements IPX5

maintenance-free system  
resistance to splash water  
long life

- savings on service interventions
- easy cleaning and maintenance of equipment

4

#### All-stainless design

the material does not cut  
wear resistance of the material  
long life

- savings on service interventions
- easy cleaning and maintenance of equipment

5

#### Safety element - thermocouple

safe operation for personnel  
there is no overheating and damage to the thallus  
long life

- savings on service interventions
- easier and faster operation

6

#### Piezoelectric ignition

instant flame ignition  
there is no unnecessary gas leakage  
long life

- savings on service interventions
- easier and faster operation

7

#### Large electric oven with four positions for racks with static cooking

static baking  
high capacity and variability  
all-stainless design

- suitable for yeast dishes and desserts
- long service life
- easy to clean

8

#### Massive thal

15mm material ensures even distribution of heat and heating of the product (heat several pots at the same time at the same temperature)  
material resistance  
long life

- time saving
- ease of operation
- savings on service interventions

# Technical data sheet

Technical parameters



## Cooking range solid top gas with static gas oven GN 2/1 - 3x burner

**Model**

**SAP Code**

00005943

**1. SAP Code:**

00005943

**2. Net Width [mm]:**

1200

**3. Net Depth [mm]:**

900

**4. Net Height [mm]:**

900

**5. Net Weight [kg]:**

248.00

**6. Gross Width [mm]:**

1230

**7. Gross depth [mm]:**

970

**8. Gross Height [mm]:**

1110

**9. Gross Weight [kg]:**

254.00

**10. Device type:**

Gas unit

**11. Construction type of device:**

With substructure

**12. Power gas [kW]:**

37.500

**13. Ignition:**

Piezo+večný plamen

**14. Type of gas:**

Natural gas, propane butane

**15. Protection of controls:**

IPX5

**16. Device color:**

Stainless steel

**17. Material:**

AISI 304

**18. Worktop type:**

Molded - comfortable cleaning maintenance

**19. Worktop material:**

AISI 304

**20. Worktop Thickness [mm]:**

2.00

**21. Number of zones:**

3

**22. Power consumption of the zone 1 [kW]:**

12

**23. Power consumption of the zone 2 [kW]:**

10

**24. Power consumption of the zone 3 [kW]:**

7

**25. Number of power control stages:**

6

**26. Grid material:**

Cast iron

**27. Service accessibility:**

From the front by removing the front panel and waste fluid containers

**28. Safety thermocouple:**

Yes

# Technical data sheet

Technical parameters



## Cooking range solid top gas with static gas oven GN 2/1 - 3x burner

**Model**

**SAP Code**

00005943

**29. Safety thermostat up to x ° C:**

360

**40. Depth of internal part [mm]:**

730

**30. Adjustable feet:**

Yes

**41. Height of internal part [mm]:**

340

**31. Number of burners/hot plates:**

3

**42. Gasket:**

Yes

**32. Type of gas cooking zones:**

Fire protection to install + Classic burners

**43. Maximum temperature of the inner chamber [°C]:**

300

**33. Burner type:**

Brass, detachable

**44. Minimum temperature of the inner chamber [°C]:**

150

**34. Oven Type:**

gas static

**45. Inner ignition:**

Piezoelectric

**35. Oven size:**

GN 2/1

**46. Number of internal parts:**

4

**36. Oven material:**

Stainless steel

**47. Solid top thickness [mm]:**

15

**37. Type of internal part of the appliance 1 (eg oven):**

Gas

**48. Solid top dimensions [mm x mm]:**

770 x 730

**38. Type of internal part of the appliance 2 (eg oven):**

Static

**49. Solid top ignition:**

Piezo + Eternal Flame

**39. Width of internal part [mm]:**

680