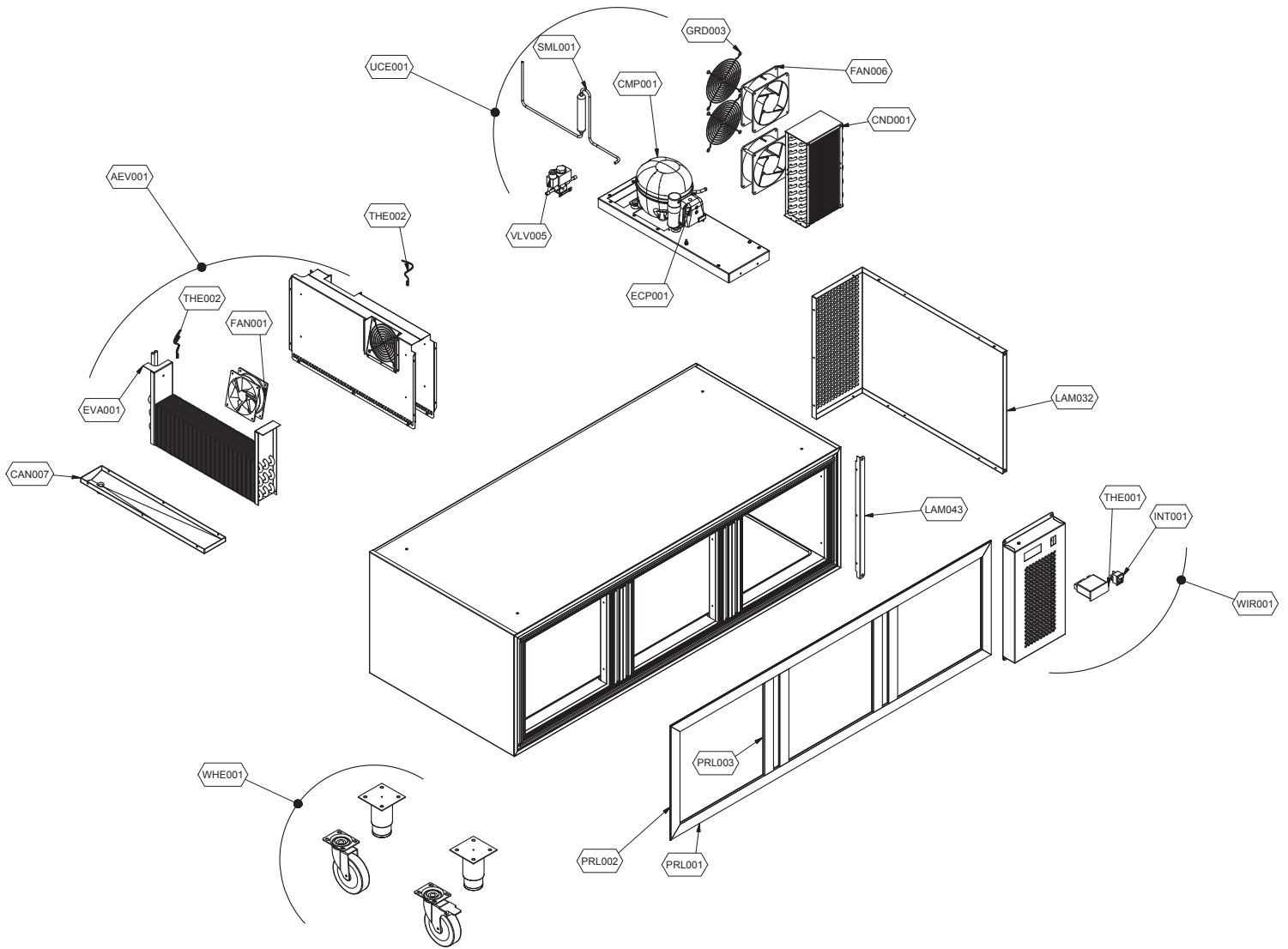




LNSF 703 1Z / 2Z
2019_05



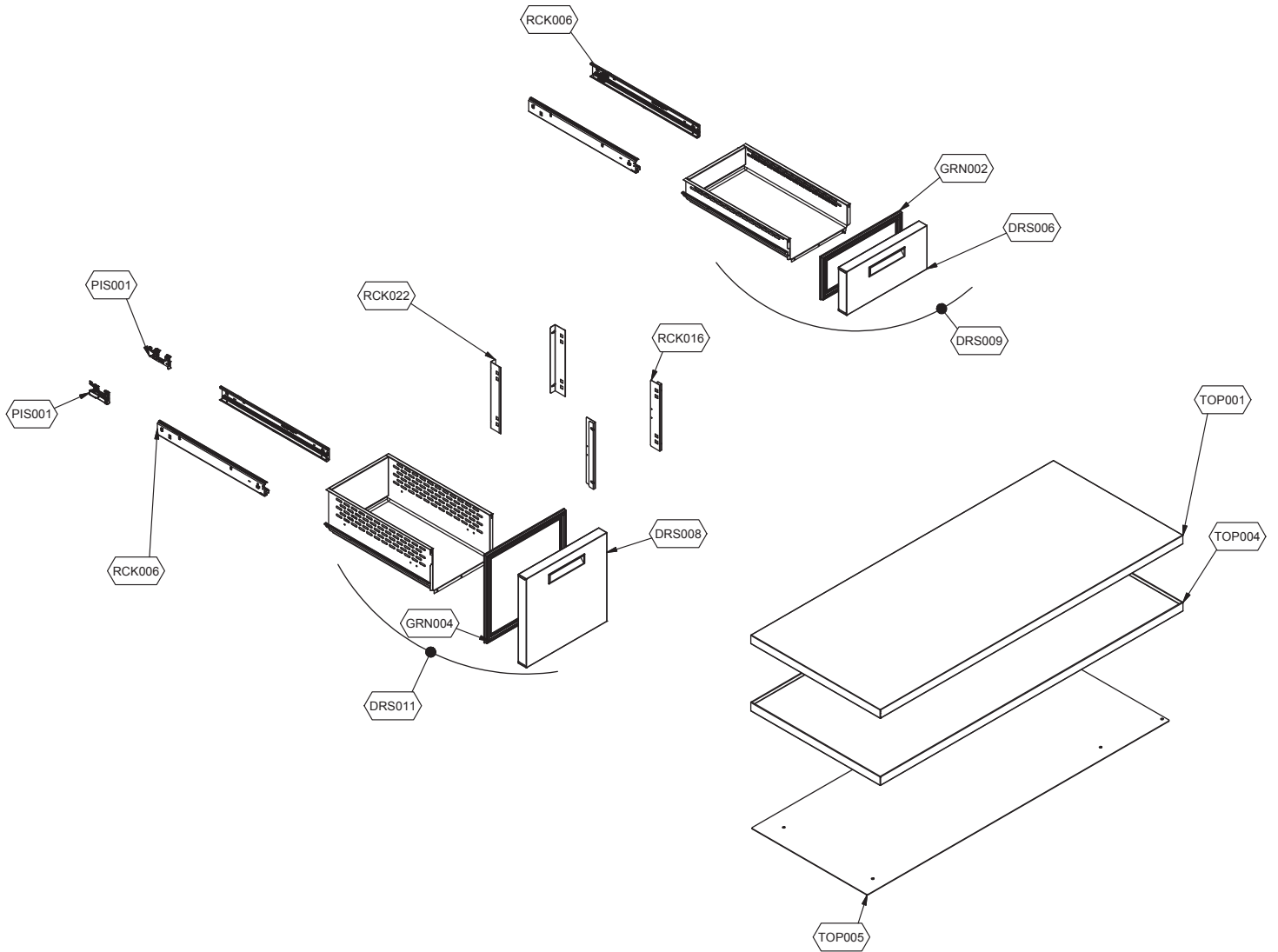


LNSF 703 1Z / 2Z
2019_05

Pozice	Název	Kód
AEV001	EVAPORATOR ASSEMBLY	73671140
CAN007	EVAPORATOR PAN	74708410
CMP001	COMPRESSOR	74865566
CND001	CONDENSER	74837280
ECP001	COMPRESSOR ELECTRICAL PARTS	74867118
EVA001	EVAPORATOR	73648586
FAN006	FAN	74847200
FAN999	FAN	74847166
GRD003	FAN GRID	74847202
INT001	MAIN ON/OFF SWITCH	74742008
LAM032	BACK PANEL	72613054
LAM043	VERTICAL PANEL	72613056
OPT	EXPLODED VIEW OF OPTIONAL PARTS & FEATURES	7LS72IB2IA001- OPT
PRL001	MOBILE HORIZONTAL COVER	72613012
PRL002	MOBILE VERTICAL COVER	72613008
PRL003	MOBILE VERTICAL COVER	72613104
SCE001	ELECTRICAL WIRING	SC803
TAR001	CONTROLLER PRESETTING SERVICE	RIF.TAR.Q04
THE001	UNSETTED ELECTRONIC CONTROLLER	74700776
THE002	PROBE	74700916
UCE001	FULL CONDENSING UNIT	74861892
VLV005	ELECTROVALVE	74873030
WHE001	CASTOR/FEET	74702580
WIR001	ELECTRICAL PANEL	73691830



LNSF 703 1Z / 2Z
2019_05





LNSF 703 1Z / 2Z
2019_05

Pozice	Název	Kód
DRS006	1/3 DRAWER FRONT PANEL	73690062
GRN002	1/3 GASKET	74702542
HCB001	WARM CABLE	73632300
RCK006	RUNNER	74703176
RCK016	RACK	74768520
RCK022	BACK RACK	74768522
SCH001	VERTICAL UPRIGHT	73690054
TOP004	S/S TOP	73676270