

Technical data sheet



Product features

Cooling cabinet 130 l, glass door, white

Model	SAP Code	00018508
--------------	-----------------	----------



- Chamber volume [l]: 130
- Minimum device temperature [°C]: 0
- Maximum device temperature [°C]: 10
- Insulation thickness [mm]: 40
- Control type: Digital
- Door lock: Yes
- Opening of device: Two-sided
- Annual energy consumption [kWh]: 231

SAP Code	00018508	Energy class	B
Net Width [mm]	600	Chamber volume [l]	130
Net Depth [mm]	615	Number of internal parts	3
Net Height [mm]	855	Minimum device temperature [°C]	0
Net Weight [kg]	47.00	Maximum device temperature [°C]	10
Power electric [kW]	0.158	Refrigerant	R290
Loading	230 V / 1N - 50 Hz	Refrigerant weight [g]	46.00

Technical data sheet



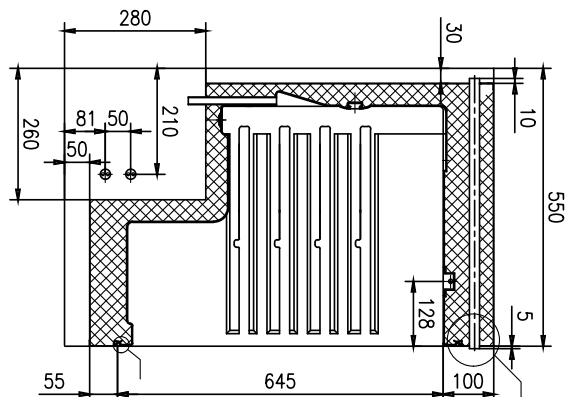
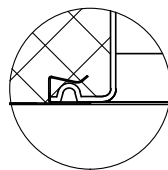
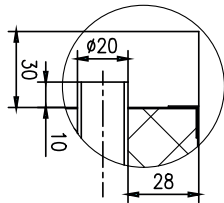
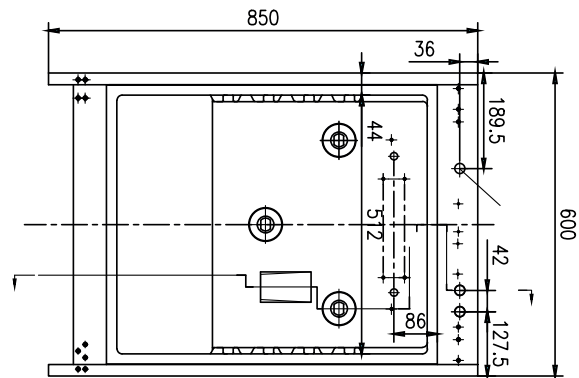
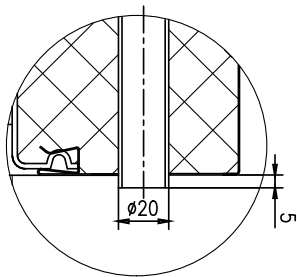
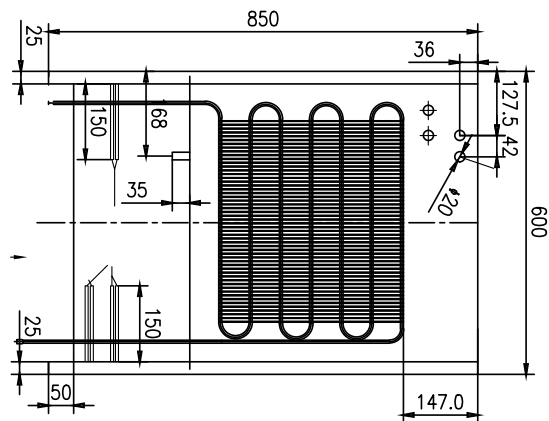
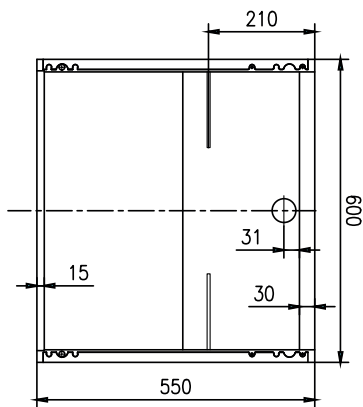
Technical drawing

Cooling cabinet 130 l, glass door, white

Model

SAP Code

00018508



Technical data sheet



Technical parameters

Cooling cabinet 130 l, glass door, white

Model	SAP Code	00018508
--------------	-----------------	----------

1. SAP Code:

00018508

2. Article group:

RF-Refrigerators

3. Net Width [mm]:

600

4. Net Depth [mm]:

615

5. Net Height [mm]:

855

6. Net Weight [kg]:

47.00

7. Gross Width [mm]:

625

8. Gross depth [mm]:

645

9. Gross Height [mm]:

1055

10. Gross Weight [kg]:

52.00

11. Device type:

Electric unit

12. Power electric [kW]:

0.158

13. Loading:

230 V / 1N - 50 Hz

14. Energy class:

B

15. Refrigerant:

R290

16. Cooling type:

Static with fan

17. Material:

Lacquered sheet metal

18. Device color:

White

19. Device properties 2:

Cooling

20. Number of internal parts:

3

21. Chamber volume [l]:

130

22. Worktop material:

Tin-plate

23. Adjustable feet:

Yes

24. Insulation thickness [mm]:

40

25. Opening of device:

Two-sided

26. Gasket:

Yes

27. Number of doors:

1

28. Unit:

Yes

Technical data sheet



Technical parameters

Cooling cabinet 130 l, glass door, white

Model

SAP Code

00018508

29. Control type:

Digital

33. Maximum device temperature [°C]:

10

30. Door lock:

Yes

34. Thaving cycle:

Yes

31. Annual energy consumption [kWh]:

231

35. Refrigerant weight [g]:

46.00

32. Minimum device temperature [°C]:

0